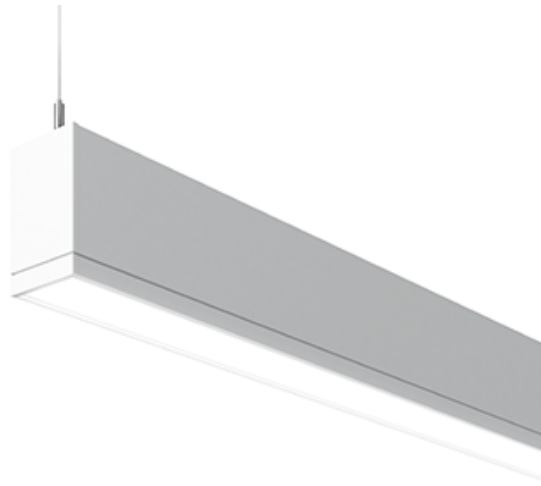




# Linear

## TruGroove Suspended LED

Indirect/Direct  
CRI >80 3000K, 3500 lm/4ft



Project: \_\_\_\_\_  
 Spec Type: \_\_\_\_\_  
 Catalog No: 2905LCDWW  
 Qty: \_\_\_\_\_  
 Line Notes: \_\_\_\_\_

TruGroove LED is driving performance beyond the edge. Innovative optics deliver exceptional uniformity and wide row spacing from a 3” aperture continuous line-of light. An extended family and refined design are perfect for lighting any professional space.

### Ordering guide

Product Type	Source	Color Temp *	Lumens *	Lower Optics	Upper Optics	Run Length	Wiring †	Voltage	Driver	Finish
2905	L	C	D	W	W					
TruGroove Suspended Indirect/Direct	L LED	A 4000K B 3500K C 3000K	B 5200 lm/4ft (55/45) C 4600 lm/4ft (70/30) D 3500 lm/4ft (55/45)	Q Symmetric MesoOptics W Asymmetric MesoOptics	Q Symmetric Performance W Asymmetric Performance	04 4' 06 6' 08 8' 22 2x2' XX Total run length (2 increments)	1 1cct 2 2 cct Up/Down 3 1 cct w/ EM cct 5 1 cct w/ BP 7 1 cct w/ Dimming	1 120V 2 277V 3 347V	E Philips Advance  Other drivers available - consult factory	W Standard White T Titanium Silver B Black X Custom

\* Nominal values within a range. Consult ies file for exact color temp, lumens and up/down distribution † Consult website for complete list of standard wiring options

### Mounting Hardware

**Mount Type**  
Consult separate mounting spec sheet for mount type options

**Suspension Length**  
Distance from ceiling to top of luminaire in inches

### Endcaps - Flat Grooved



### Integrated Controls

Please indicate with check mark.

- Response Daylight Sensor Single Zone (DS)
- Philips Actilume Occupancy Sensor (DO) (includes field commissionable daylight sensor)

# TruGroove Suspended Indirect/Direct LED

CRI >80 3000K, 3500 lm/4ft

## Housing

Precision aluminum extrusion, post painted.

## Weight

Maximum: Suspended & Surface 3.9lb/ft, Wall 4.1lb/ft & 2'x2' Corner unit 21lb

## Optical System

**Upper hemisphere:** White light emitted from a linear array of upward-facing LEDs is shaped into a homogeneous, wide-throw batwing distribution using either a freeform elliptical lens or an engineered light guide panel.

**Lower hemisphere:** White light emitted from a linear array of downward-facing LEDs is laterally redirected using either a biconvex lens or optical microstructures embedded in a layer of MesoOptics DX film. An extruded acrylic lens and MesoOptics film assembly then generate an optimal batwing distribution and a uniform continuum of light.

## Standard Driver

Dimming: 0-10V - 5-100%. Output is Class 2 rated.

## Electrical

Factory pre-wired to section ends with quick-wire connectors.

## Mounting

**Suspended:** Variable sling mount allows +/- 5" of horizontal adjustment from joint or end. Aircraft cable and tamper-resistant gripper provide unlimited vertical adjustment. Aircraft cable, crimp and gripper are independently tested to meet stringent safety requirements.

**Wall:** Hidden steel mounting brackets are provided for attachment to existing structure and hold housings close to the wall. Mounts are variable positioning, but should be no more than 4-1/2ft on center and within 12" of an end or joint.

**Surface:** Fixture is mounted flush to surface using hidden brackets. Brackets attach to existing structure, variable within 0.6"-1.7" of end or joint.

## Joints

Self-aligning joining system with hands-free pre-joining wire access.

## Endcaps

Diecast flat aluminum endcaps with integral groove to match housing.

## Finish

High quality powder coated, available in matte white, black or titanium silver. Other custom colors available on request.

## Approvals

Certified to UL, CSA and IES standards.

## Lumen Maintenance

At an ambient temperature of 25°C, the LED lumen maintenance expectation is:

L80 (12k) >60,000h according to IES TM-21-11

Addendum A Reported methodology

L80 (6k) 110,000h according to IES TM-21-11 Projected methodology

## Warranty

Philips indoor professional luminaires 5 year LED warranty:

<http://www.philips.com/warranties>

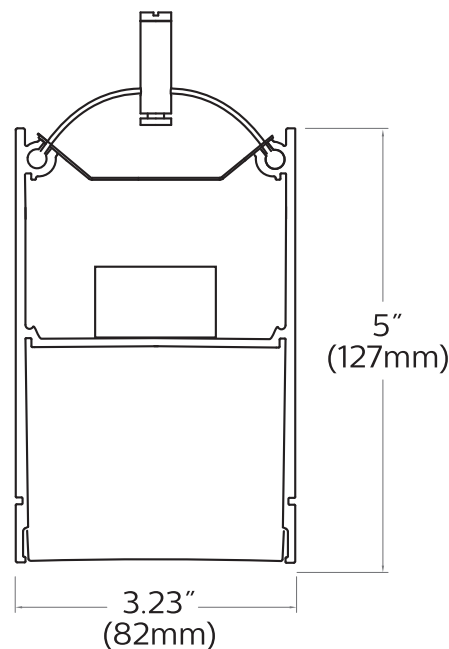
## Environment

Rated for dry or damp locations in operating ambient temperatures 0-40°C (32-104°F). Certain luminaire components may be adversely affected by contaminants. Damage caused by sulfur, chlorine, petroleum based solutions or other contaminants are not covered under warranty.

Due to continuing product improvements, Philips Ledalite reserves the right to change the specifications without notice.

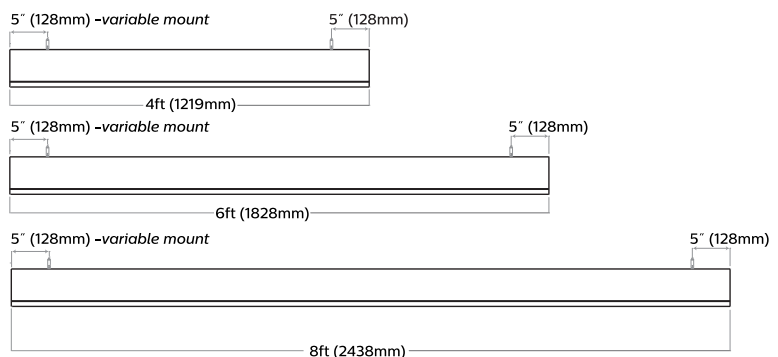
## Options and Details

### Cross Section

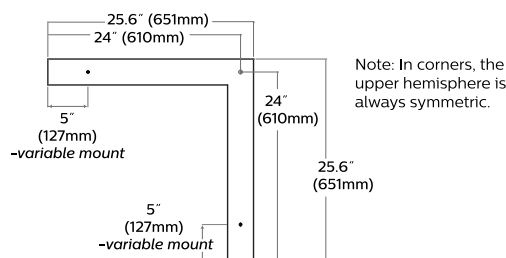


### Modules

#### Suspended Linear Modules Without Endcaps - Side View



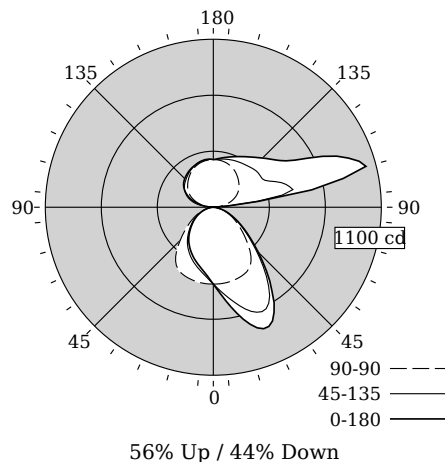
#### Suspended 2'x2' Corners Without Endcaps - Top View



# TruGroove Suspended Indirect/Direct LED

CRI >80 3000K, 3500 lm/4ft

## Photometry



Total Output	3053 lm
Efficacy	107.1 lm/W
CCT	3096K
CRI	81
R9	4
Distribution	56% Up / 44% Down
Spacing Criteria (0/90/180°)	1.66/1.34/0.92
Meets RP-1-04 recommendations for VDT-Intensive spaces	

Values per 4ft unit

Fixture photometry has been conducted by an NVLAP accredited testing laboratory in accordance with IESNA LM-79-08

Lumen maintenance of the LEDs has been tested by the manufacturer in accordance with IESNA LM-80-08

IES files for this and other photometric options can be downloaded online at [www.lightingproducts.philips.com](http://www.lightingproducts.philips.com)

### Candela Distribution

Vertical Angle	Horizontal Angle					Zonal Lumens
	0	45	90	135	180	
0	503	503	503	503	503	0
5	573	551	503	463	451	49
15	760	668	497	406	386	152
25	861	754	482	354	334	250
35	669	631	431	295	280	284
45	416	395	307	228	216	241
55	245	234	199	165	158	179
65	135	132	122	108	104	120
75	62	59	56	54	53	61
85	11	10	11	12	13	14
90	0	0	0	0	0	0
95	100	87	31	45	32	95
105	1035	518	101	141	120	335
115	789	405	160	197	189	313
125	533	370	203	232	237	268
135	456	361	235	254	265	235
145	402	346	265	277	284	193
155	366	336	289	298	298	145
165	339	325	305	311	312	90
175	318	315	311	315	316	30
180	312	312	312	312	312	0

### Coefficients of Utilization (%)

RCR	Ceiling					Wall					0	
	70	50	30	10	70	50	30	10	50	30		10
0	106	106	106	106	97	97	97	80	80	80	44	
1	97	93	89	86	89	85	82	71	69	67	38	
2	89	82	76	71	81	75	70	63	59	56	33	
3	81	72	65	59	74	66	60	56	51	47	28	
4	74	64	56	51	68	59	52	50	45	41	24	
5	68	57	49	43	62	53	46	44	39	35	21	
6	63	51	43	38	58	47	40	40	35	31	19	
7	58	46	39	33	53	43	36	36	31	27	17	
8	54	42	35	29	50	39	32	33	28	24	15	
9	50	38	31	26	46	36	29	30	25	22	14	
10	47	35	28	23	43	33	26	28	23	20	13	

### Avg. Luminance (cd/m2)

Vertical Angle	Horizontal Angle		
	0	90	180
55	4590	3725	2956
65	3440	3102	2632
75	2553	2342	2213
85	1393	1393	1640

## Electrical Specifications

Input Voltage	120V	277V
Input Power	28.5W	28.1W
Input Current	0.24A	0.11A
Power Factor	0.995	0.944
Total Harm. Distortion	7.8%	15.2%
Tested values – contact technical support for rated values. Off-state power zero unless certain controls are specified.		

© 2015 Koninklijke Philips N.V. All rights reserved. Philips reserves the right to make changes in specifications and/or to discontinue any product at any time without notice or obligation and will not be liable for any consequences resulting from the use of this publication. [philips.com/luminaires](http://philips.com/luminaires)  
[www.philips.com/luminaires](http://www.philips.com/luminaires)



Philips Lighting, North America Corporation  
200 Franklin Square Drive, Somerset, NJ 08873  
Tel. 855-486-2216

Imported by: Philips Lighting,  
A division of Philips Electronics Ltd.  
281 Hillmount Rd, Markham, ON, Canada L6C 2S3  
Tel. 800-668-9008