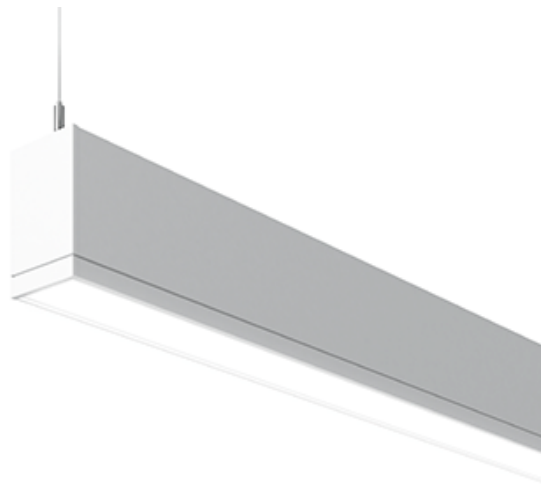




Linear

TruGroove Suspended LED

Direct
CRI >80 3500K, 3200 lm/4ft



Project: _____
 Spec Type: _____
 Catalog No: 2901LBEWN
 Qty: _____
 Line Notes: _____

TruGroove LED is driving performance beyond the edge. Innovative optics deliver exceptional uniformity and wide row spacing from a 3” aperture continuous line-of light. An extended family and refined design are perfect for lighting any professional space.

Ordering guide

Product Type	Source	Color Temp *	Lumens *	Lower Optics	Upper Optics	Run Length	Wiring †	Voltage	Driver	Finish
<input type="text" value="2901"/>	<input type="text" value="L"/>	<input type="text" value="B"/>	<input type="text" value="E"/>	<input type="text" value="W"/>	<input type="text" value="N"/>	<input type="text"/>	<input type="text"/>	<input type="text"/>	<input type="text"/>	<input type="text"/>
TruGroove Suspended Direct	L LED	A 4000K B 3500K C 3000K	E 3200 lm/4ft G 2300 lm/4ft K 1500 lm/4ft	Q Symmetric MesoOptics W Asymmetric MesoOptics	N None	04 4' 06 6' 08 8' 22 2x2' XX Total run length (2 increments)	1 1cct 3 1cct w/ EM cct 5 1cct w/ BP 7 1cct w/ Dimming	1 120V 2 277V 3 347V	E Philips Advance Other drivers available - consult factory	W Standard White T Titanium Silver B Black X Custom

* Nominal values within a range. Consult ies file for exact color temp, lumens and up/down distribution † Consult website for complete list of standard wiring options

Mounting Hardware

Mount Type
Consult separate mounting spec sheet for mount type options

Suspension Length
Distance from ceiling to top of luminaire in inches

Endcaps -



Integrated Controls Please indicate with check mark.

- Response Daylight Sensor Single Zone (DS)
- Philips Actilume Occupancy Sensor (DO) (includes field commissionable daylight sensor)

TruGroove Suspended Direct LED

CRI >80 3500K, 3200 lm/4ft

Housing

Precision aluminum extrusion, post painted.

Weight

Maximum: Suspended & Surface 3.9lb/ft, Wall 4.1lb/ft & 2'x2' Corner unit 21lb

Optical System

Upper hemisphere: White light emitted from a linear array of upward-facing LEDs is shaped into a homogeneous, wide-throw batwing distribution using either a freeform elliptical lens or an engineered light guide panel.

Lower hemisphere: White light emitted from a linear array of downward-facing LEDs is laterally redirected using either a biconvex lens or optical microstructures embedded in a layer of MesoOptics DX film. An extruded acrylic lens and MesoOptics film assembly then generate an optimal batwing distribution and a uniform continuum of light.

Standard Driver

Dimming: 0-10V - 5-100%. Output is Class 2 rated.

Electrical

Factory pre-wired to section ends with quick-wire connectors.

Mounting

Suspended: Variable sling mount allows +/- 5" of horizontal adjustment from joint or end. Aircraft cable and tamper-resistant gripper provide unlimited vertical adjustment. Aircraft cable, crimp and gripper are independently tested to meet stringent safety requirements.

Wall: Hidden steel mounting brackets are provided for attachment to existing structure and hold housings close to the wall. Mounts are variable positioning, but should be no more than 4-1/2ft on center and within 12" of an end or joint.

Surface: Fixture is mounted flush to surface using hidden brackets. Brackets attach to existing structure, variable within 0.6"-1.7" of end or joint.

Joints

Self-aligning joining system with hands-free pre-joining wire access.

Endcaps

Diecast flat aluminum endcaps with integral groove to match housing.

Finish

High quality powder coated, available in matte white, black or titanium silver. Other custom colors available on request.

Approvals

Certified to UL, CSA and IES standards.

Lumen Maintenance

At an ambient temperature of 25°C, the LED lumen maintenance expectation is:
L80 (12k) >60,000h according to IES TM-21-11 Addendum A **Reported** methodology
L80 (6k) 110,000h according to IES TM-21-11 **Projected** methodology

Warranty

Philips indoor professional luminaires 5 year LED warranty:
<http://www.philips.com/warranties>

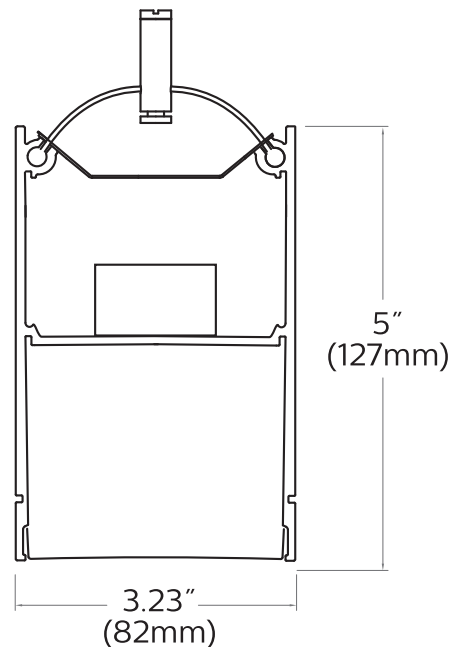
Environment

Rated for dry or damp locations in operating ambient temperatures 0-40°C (32-104°F). Certain luminaire components may be adversely affected by contaminants. Damage caused by sulfur, chlorine, petroleum based solutions or other contaminants are not covered under warranty.

Due to continuing product improvements, Philips Ledalite reserves the right to change the specifications without notice.

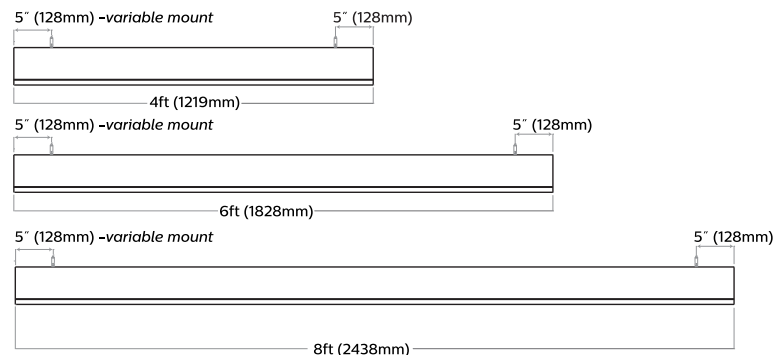
Options and Details

Cross Section

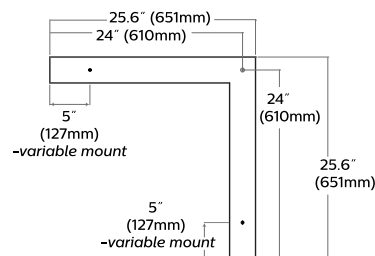


Modules

Suspended Linear Modules Without Endcaps - Side View



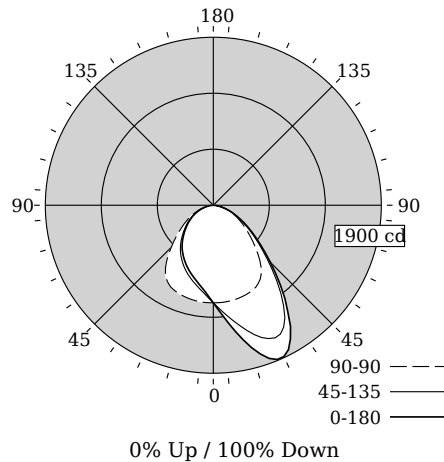
Suspended 2'x2' Corners Without Endcaps - Top View



TruGroove Suspended Direct LED

CRI >80 3500K, 3200 lm/4ft

Photometry



Total Output	2961 lm
Efficacy	84.4 lm/W
CCT	3424K
CRI	82
R9	6
Distribution	0% Up / 100% Down
Spacing Criteria (0/90/180°)	1.66/1.34/0.92
Meets RP-1-04 recommendations for VDT-Normal spaces	

Values per 4ft unit

Fixture photometry has been conducted by an NVLAP accredited testing laboratory in accordance with IESNA LM-79-08

Lumen maintenance of the LEDs has been tested by the manufacturer in accordance with IESNA LM-80-08

IES files for this and other photometric options can be downloaded online at www.lightingproducts.philips.com

Candela Distribution

Vertical Angle	Horizontal Angle					Zonal Lumens
	0	45	90	135	180	
0	1104	1104	1104	1104	1104	0
5	1257	1209	1104	1016	989	107
15	1666	1466	1090	890	847	333
25	1888	1655	1057	776	733	548
35	1468	1385	944	647	614	623
45	913	865	672	499	474	528
55	537	513	436	362	346	393
65	297	290	268	236	227	263
75	135	130	124	119	117	134
85	25	22	25	27	29	31
90	0	0	0	0	0	0
95	0	0	0	0	0	0
105	0	0	0	0	0	0
115	0	0	0	0	0	0
125	0	0	0	0	0	0
135	0	0	0	0	0	0
145	0	0	0	0	0	0
155	0	0	0	0	0	0
165	0	0	0	0	0	0
175	0	0	0	0	0	0
180	0	0	0	0	0	0

Coefficients of Utilization (%)

RCR	Ceiling: Wall:										
	70	50	30	10	70	50	30	50	30	10	0
0	119	119	119	119	116	116	116	111	111	111	100
1	110	106	102	98	107	103	100	99	96	94	86
2	101	94	87	82	98	92	86	88	83	79	74
3	93	83	76	70	90	82	75	79	73	68	64
4	86	74	66	60	83	73	65	71	64	59	55
5	79	67	59	52	77	66	58	64	57	52	48
6	73	61	52	46	71	60	52	58	51	46	43
7	68	55	47	41	66	55	47	53	46	41	38
8	64	51	43	37	62	50	42	49	42	37	34
9	59	47	39	33	58	46	38	45	38	33	31
10	56	43	35	30	55	43	35	42	35	30	28

Avg. Luminance (cd/m2)

Vertical Angle	Horizontal Angle		
	0	90	180
55	10066	8171	6486
65	7545	6802	5773
75	5600	5133	4853
85	3049	3049	3603

Electrical Specifications

Input Voltage	120V	277V
Input Power	35.1W	34.5W
Input Current	0.29A	0.13A
Power Factor	0.995	0.97
Total Harm. Distortion	5.9%	12.4%
Tested values – contact technical support for rated values. Off-state power zero unless certain controls are specified.		

© 2015 Koninklijke Philips N.V. All rights reserved. Philips reserves the right to make changes in specifications and/or to discontinue any product at any time without notice or obligation and will not be liable for any consequences resulting from the use of this publication. philips.com/luminaires
www.philips.com/luminaires



Philips Lighting, North America Corporation
200 Franklin Square Drive, Somerset, NJ 08873
Tel. 855-486-2216

Imported by: Philips Lighting,
A division of Philips Electronics Ltd.
281 Hillmount Rd, Markham, ON, Canada L6C 2S3
Tel. 800-668-9008