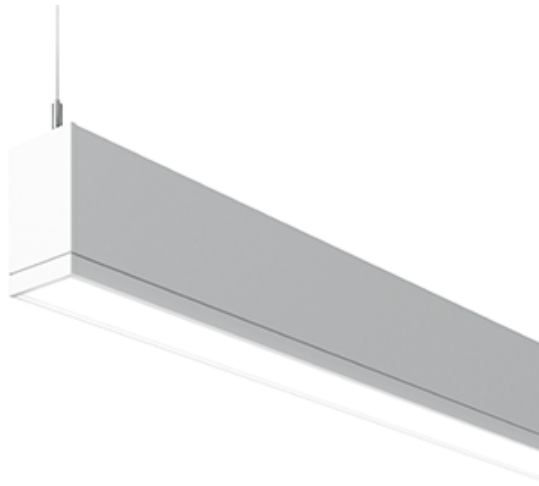




Linear

TruGroove suspended

5200 lm/4ft, Direct/Indirect
3000/3500/4000K



Project: _____
 Spec Type: _____
 Catalog No: 2906LxBWW _____
 Qty _____
 Line Notes: _____

TruGroove suspended, surface & wall is driving performance beyond the edge. Innovative optics deliver exceptional uniformity and wide row spacing from a 3” aperture continuous line-of light. An extended family and refined design are perfect for lighting any professional space.

Ordering guide

Product Type	Source	Color Temp *	Lumens *	Lower Optics	Upper Optics	Run Length	Wiring †	Voltage	Driver	Finish
<input type="text" value="2906"/>	<input type="text" value="L"/>	<input type="text"/>	<input type="text" value="B"/>	<input type="text" value="W"/>	<input type="text" value="W"/>	<input type="text"/>	<input type="text"/>	<input type="text"/>	<input type="text"/>	<input type="text"/>
TruGroove suspended Direct/Indirect	L LED	A 4000K B 3500K C 3000K	B 5200 lm/4ft (35/65) C 4600 lm/4ft (30/70) D 3500 lm/4ft (35/65)	Q Symmetric MesoOptics W Asymmetric MesoOptics	Q Symmetric Performance W Asymmetric Performance	04 4' 06 6' 08 8' A4 2'x2' XX Total run length (2' increments)	7 1 cct Dimming G 2 cct Up/Dn Dimming M 1 cct Dimming + EM Wiring N 1 cct Dimming + EM Batt. Pack	1 120V 2 277V 3 347V	E Philips Advance 0-10V (1% dim) S Philips Advance SR (5% dim)	W Standard White T Titanium Silver B Black C Custom

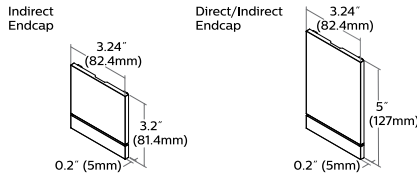
* Nominal values within a range. Consult photometry data for color temp, lumens & distribution of chosen configuration.
 † Not all wiring types are available with all configurations. Consult Philips Ledalite for a complete list of available options.

Mounting Hardware

Mount Type
 Consult separate mounting spec sheet for mount type options:
Ledalite Suspended Mounting Options

Suspension Length
 Distance from ceiling to top of luminaire in inches

Endcaps -



Integrated Controls Please indicate with check mark.

- Response Daylight Single Zone (DS)
- SpaceWise DT Occupancy & Daylight Sensor (SZ)



TruGroove suspended

5200 lm/4ft, Direct/Indirect

3000/3500/4000K

Optical System

Upper hemisphere: White light emitted from a linear array of upward-facing LEDs is shaped into a homogeneous, wide-throw batwing distribution using either a freeform elliptical lens or an engineered light guide panel.

Lower hemisphere: White light emitted from a linear array of downward-facing LEDs is laterally redirected using either a biconvex lens or optical microstructures embedded in a layer of MesoOptics DX film. An extruded acrylic lens and MesoOptics film assembly then generates an optimal batwing distribution and a uniform continuum of light.

Endcaps

Diecast flat aluminum endcaps with integral groove to match housing.

Finish

High quality powder coated, available in matte white, black or titanium silver. Other custom colors available on request. White sensors only.

Housing

Precision aluminum extrusion, post painted.

Weight

Maximum: Suspended & Surface 3.9lb/ft, Wall 4.1lb/ft & 2'x2' Corner unit 21lb

Electrical

Factory pre-wired to section ends with quick-wire connectors.

QuickShip

Available for certain configurations upon request. More information is available in the links below:

[QuickShip ColorCoded Guide](#)

[QuickShip Order Guide](#)

Standard Drivers

Philips Advance Xitanium 0-10V, 1-100%.

Philips Advance Xitanium SR, 5-100% (for SpaceWise DT).

Class 2 rated output. Consult Philips Ledalite for other available drivers.

Standard Battery Pack

Philips Bodine, 90 min, 10W, Class 2 rated output.

Emergency lumen output = 10W x luminaire efficacy x 1.1.

Typical output: 1100lm.

Lumen Maintenance

At an ambient temperature of 25°C, the LED lumen maintenance expectation according to IES TM-21-11 is:

L80 (12k) 60,000 hrs (**Reported** methodology)

L80 (6k) 110,000 hrs (**Projected** methodology).

Source Color

LEDs rated for color rendering CRI >80, R9 >0 and fixture to fixture color accuracy within 2 SDCM.

Controls

Suspended version available with the following integrated controls:

Response daylight sensor (for single zone).

SpaceWise DT occupancy & daylight sensor w/ advanced grouping & dwell time.

SpaceWise DT commissioning via Android phone and Philips Field App. Compatible dimming wireless wall switches are available. For more information, please refer to www.philips.com/spacewise

Mounting

Suspended: Variable sling mount allows +/- 5" of horizontal adjustment from joint or end. Aircraft cable and tamper-resistant gripper provide unlimited vertical adjustment and are independently tested to stringent safety standards.

Wall: A hidden steel rail and bracket system attaches to the existing structure and supports housings close to the wall. Mount positioning is fully variable along the modules to accommodate site conditions, spaced up to 4½' on center and within 12" of an end or joint.

Surface: Fixture is mounted flush to surface using hidden brackets that attach to existing structure, variable between 0.6"-1.7" from end or joint.

Joints

Self-aligning joining system with hands-free pre-joining wire access.

Approvals

Certified to UL, CSA and IES standards. Certain symmetric indirect/direct and indirect versions are DesignLights Consortium® qualified. Please see the DLC QPL list for exact catalog numbers (www.designlights.org/QPL).

Warranty

Five-year luminaire limited warranty including LED boards and driver.

[USA: Warranty Support](#)

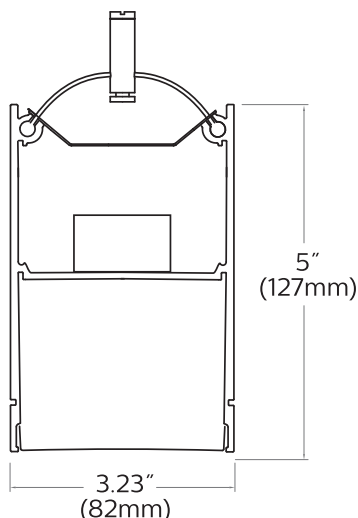
[Canada: Warranty Support](#)

Environment

Rated for dry or damp locations in operating ambient temperatures 0-40°C (32-104°F). Certain luminaire components may be adversely affected by contaminants. Damage caused by sulfur, chlorine, petroleum based solutions or other contaminants in the area of operation are not covered under warranty. Not suitable for natatorium environments.

Due to continuing product improvements, Philips Ledalite reserves the right to change the specifications without notice.

Dimensions - Cross Section



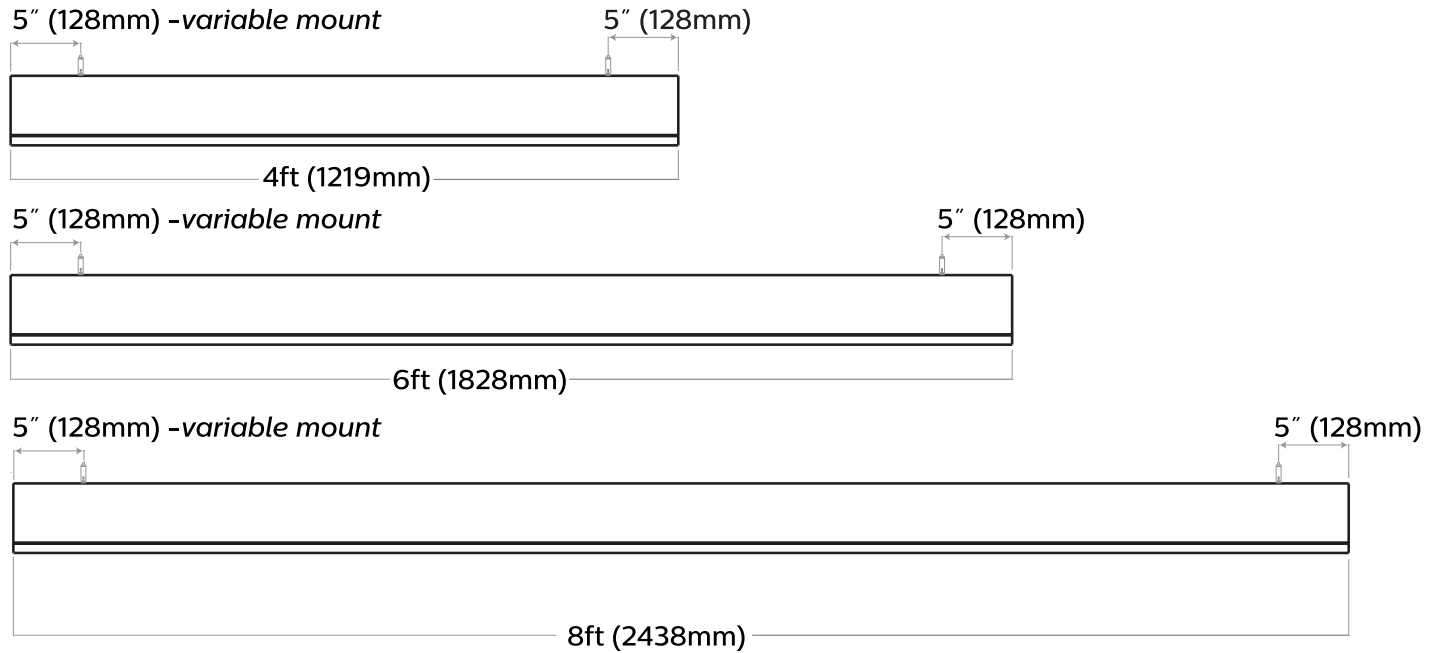
TruGroove suspended

5200 lm/4ft, Direct/Indirect

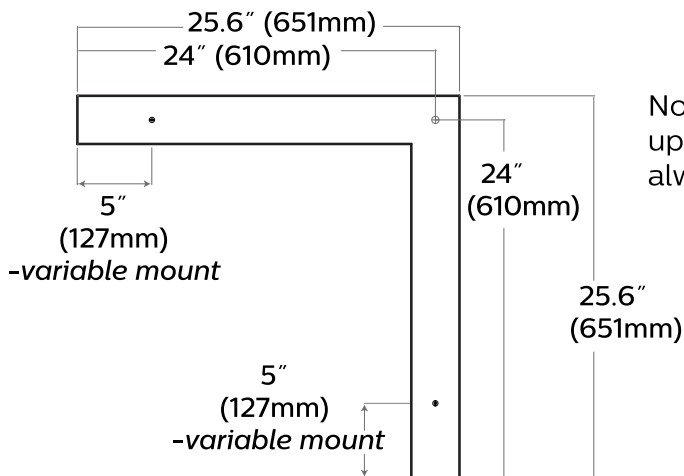
3000/3500/4000K

Dimensions - Modules

Suspended Linear Modules Without Endcaps - Side View



Suspended 2'x2' Corners Without Endcaps - Top View

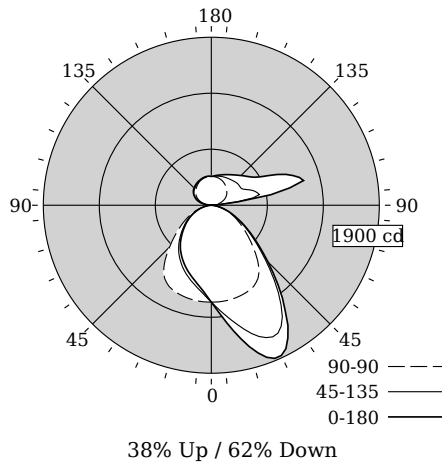


Note: In corners, the upper hemisphere is always symmetric.

TruGroove suspended

5200 lm/4ft, Direct/Indirect
3000/3500/4000K

Photometry - 3500K



Candela Distribution

Vertical Angle	Horizontal Angle				Zonal Lumens
	0	45	90	135	
0	1096	1096	1096	1096	0
5	1248	1201	1096	1009	982
15	1654	1455	1082	884	841
25	1875	1643	1049	770	728
35	1457	1375	937	643	609
45	906	859	667	496	471
55	533	509	433	359	344
65	295	288	266	234	225
75	134	129	123	118	116
85	25	22	25	27	29
90	0	0	0	0	0
95	104	91	32	47	33
105	1080	541	106	147	125
115	823	423	167	205	197
125	556	386	212	242	247
135	475	376	245	265	276
145	420	361	276	289	296
155	382	350	302	311	311
165	353	340	318	325	326
175	332	329	325	329	330
180	326	326	326	326	326

Values per 4ft unit

Fixture photometry has been conducted in accordance with IESNA LM-79-08

IES files for this and other photometric options can be downloaded online at www.lightingproducts.philips.com

Coefficients of Utilization (%)

RCR	Ceiling										70	50	30	10	0
	70	50	30	10	70	50	30	10	0						
0	110	110	110	110	103	103	103	90	90	90	62	0	0	0	0
1	101	97	93	90	95	91	88	80	78	75	54	0	0	0	0
2	93	85	79	74	87	80	75	71	67	63	46	0	0	0	0
3	85	76	68	63	79	71	65	63	58	54	40	0	0	0	0
4	78	67	60	54	73	64	57	56	51	47	34	0	0	0	0
5	72	60	52	46	67	57	50	51	45	41	30	0	0	0	0
6	66	54	46	41	62	51	44	46	40	36	27	0	0	0	0
7	61	49	41	36	58	47	39	42	36	32	24	0	0	0	0
8	57	45	37	32	54	43	36	38	32	28	21	0	0	0	0
9	53	41	34	29	50	39	32	35	29	25	19	0	0	0	0
10	50	38	31	26	47	36	29	32	27	23	18	0	0	0	0

Avg. Luminance (cd/m2)

Vertical Angle	Horizontal Angle		
	0	90	180
55	9993	8112	6439
65	7491	6753	5731
75	5559	5099	4820
85	3033	3033	3576

Distribution

Hemisphere	38% Up / 62% Down
Glare Control	Meets RP-1-12 recommendations for VDT-Normal spaces
Spacing Along (0°)	1.66
Spacing Across (90°)	1.34
Spacing at 180°	0.92

TruGroove suspended

5200 lm/4ft, Direct/Indirect

3000/3500/4000K

Optical Performance @ 120V

Nominal CCT:	3000K	3500K	4000K
Flux (lm)	4612	4717	4756
Efficacy (lm/W)	92.1	94.3	94.2
Power (W)	50.1	50.0	50.5
CCT (K)	3108	3440	4096
CRI	81	82	83
R9	3	6	13
x	0.4317	0.4111	0.3768
y	0.4063	0.3986	0.3762
Duv	0.0020	0.0020	0.0010

Electrical Performance - 3500K

Input Voltage	120V	277V	347V
Input Power	50.0W	49.0W	45.4W
Input Current	0.42A	0.18A	0.14A
Power Factor	0.992	0.963	0.956
Total Harm. Distortion	7.0%	13.1%	11.2%

Tested values – contact technical support for rated values. Off-state power zero unless certain controls are specified.

With SpaceWise DT, standby power <0.5W (120V) or <0.8W (277V).

