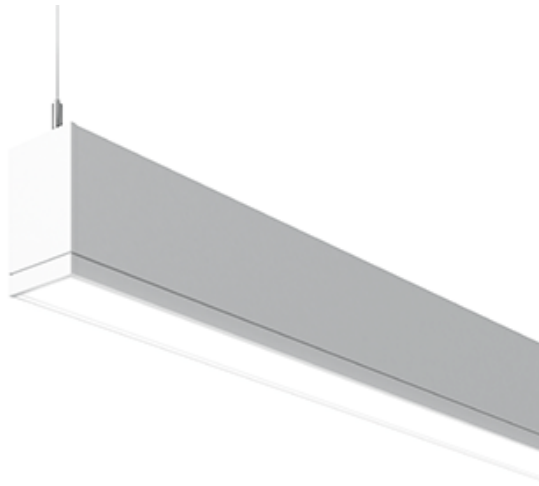




Linear

TruGroove suspended

4600 lm/4ft, Direct/Indirect
3000/3500/4000K



Project: _____
 Spec Type: _____
 Catalog No: 2906LxCWW _____
 Qty _____
 Line Notes: _____

TruGroove suspended, surface & wall is driving performance beyond the edge. Innovative optics deliver exceptional uniformity and wide row spacing from a 3” aperture continuous line-of light. An extended family and refined design are perfect for lighting any professional space.

Ordering guide

Product Type	Source	Color Temp *	Lumens *	Lower Optics	Upper Optics	Run Length	Wiring †	Voltage	Driver	Finish
<input type="text" value="2906"/>	<input type="text" value="L"/>	<input type="text"/>	<input type="text" value="C"/>	<input type="text" value="W"/>	<input type="text" value="W"/>	<input type="text"/>	<input type="text"/>	<input type="text"/>	<input type="text"/>	<input type="text"/>
TruGroove suspended Direct/Indirect	L LED	A 4000K B 3500K C 3000K	B 5200 lm/4ft (35/65) C 4600 lm/4ft (30/70) D 3500 lm/4ft (35/65)	Q Symmetric MesoOptics W Asymmetric MesoOptics	Q Symmetric Performance W Asymmetric Performance	04 4' 06 6' 08 8' A4 2'x2' XX Total run length (2' increments)	7 1 cct Dimming G 2 cct Up/Dn Dimming M 1 cct Dimming + EM Wiring N 1 cct Dimming + EM Batt. Pack	1 120V 2 277V 3 347V	E Philips Advance 0-10V (1% dim) S Philips Advance SR (5% dim)	W Standard White T Titanium Silver B Black C Custom

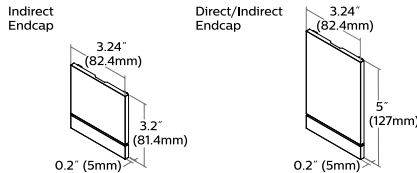
* Nominal values within a range. Consult photometry data for color temp, lumens & distribution of chosen configuration.
 † Not all wiring types are available with all configurations. Consult Philips Ledalite for a complete list of available options.

Mounting Hardware

Mount Type
 Consult separate mounting spec sheet for mount type options:
Ledalite Suspended Mounting Options

Suspension Length
 Distance from ceiling to top of luminaire in inches

Endcaps -



Integrated Controls Please indicate with check mark.

- Response Daylight Single Zone (DS)
- SpaceWise DT Occupancy & Daylight Sensor (SZ)

TruGroove suspended

4600 lm/4ft, Direct/Indirect

3000/3500/4000K

Optical System

Upper hemisphere: White light emitted from a linear array of upward-facing LEDs is shaped into a homogeneous, wide-throw batwing distribution using either a freeform elliptical lens or an engineered light guide panel.

Lower hemisphere: White light emitted from a linear array of downward-facing LEDs is laterally redirected using either a biconvex lens or optical microstructures embedded in a layer of MesoOptics DX film. An extruded acrylic lens and MesoOptics film assembly then generates an optimal batwing distribution and a uniform continuum of light.

Endcaps

Diecast flat aluminum endcaps with integral groove to match housing.

Finish

High quality powder coated, available in matte white, black or titanium silver. Other custom colors available on request. White sensors only.

Housing

Precision aluminum extrusion, post painted.

Weight

Maximum: Suspended & Surface 3.9lb/ft, Wall 4.1lb/ft & 2'x2' Corner unit 21lb

Electrical

Factory pre-wired to section ends with quick-wire connectors.

QuickShip

Available for certain configurations upon request. More information is available in the links below:

[QuickShip ColorCoded Guide](#)

[QuickShip Order Guide](#)

Standard Drivers

Philips Advance Xitanium 0-10V, 1-100%.
Philips Advance Xitanium SR, 5-100% (for SpaceWise DT).

Class 2 rated output. Consult Philips Ledalite for other available drivers.

Standard Battery Pack

Philips Bodine, 90 min, 10W, Class 2 rated output, Emergency lumen output = 10W x luminaire efficacy x 1.1. Typical output: 1100lm.

Lumen Maintenance

At an ambient temperature of 25°C, the LED lumen maintenance expectation according to IES TM-21-11 is: L₈₀ (12k) 60,000 hrs (**Reported** methodology)
L₈₀ (6k) 110,000 hrs (**Projected** methodology).

Source Color

LEDs rated for color rendering CRI >80, R9 >0 and fixture to fixture color accuracy within 2 SDCM.

Controls

Suspended version available with the following integrated controls:

Response daylight sensor (for single zone).

SpaceWise DT occupancy & daylight sensor w/ advanced grouping & dwell time.

SpaceWise DT commissioning via Android phone and Philips Field App. Compatible dimming wireless wall switches are available. For more information, please refer to www.philips.com/spacewise

Mounting

Suspended: Variable sling mount allows +/- 5" of horizontal adjustment from joint or end. Aircraft cable and tamper-resistant gripper provide unlimited vertical adjustment and are independently tested to stringent safety standards.

Wall: A hidden steel rail and bracket system attaches to the existing structure and supports housings close to the wall. Mount positioning is fully variable along the modules to accommodate site conditions, spaced up to 4½' on center and within 12" of an end or joint.

Surface: Fixture is mounted flush to surface using hidden brackets that attach to existing structure, variable between 0.6"-1.7" from end or joint.

Joints

Self-aligning joining system with hands-free pre-joining wire access.

Approvals

Certified to UL, CSA and IES standards. Certain symmetric indirect/direct and indirect versions are DesignLights Consortium® qualified. Please see the DLC QPL list for exact catalog numbers (www.designlights.org/QPL).

Warranty

Five-year luminaire limited warranty including LED boards and driver.

[USA: Warranty Support](#)

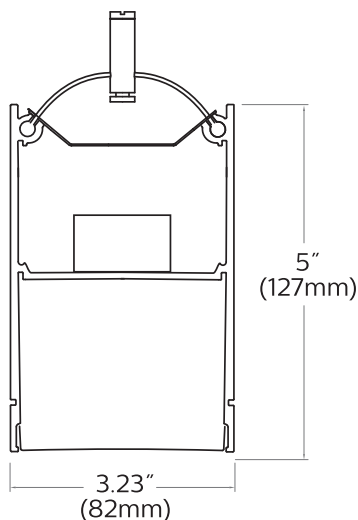
[Canada: Warranty Support](#)

Environment

Rated for dry or damp locations in operating ambient temperatures 0-40°C (32-104°F). Certain luminaire components may be adversely affected by contaminants. Damage caused by sulfur, chlorine, petroleum based solutions or other contaminants in the area of operation are not covered under warranty. Not suitable for natatorium environments.

Due to continuing product improvements, Philips Ledalite reserves the right to change the specifications without notice.

Dimensions - Cross Section



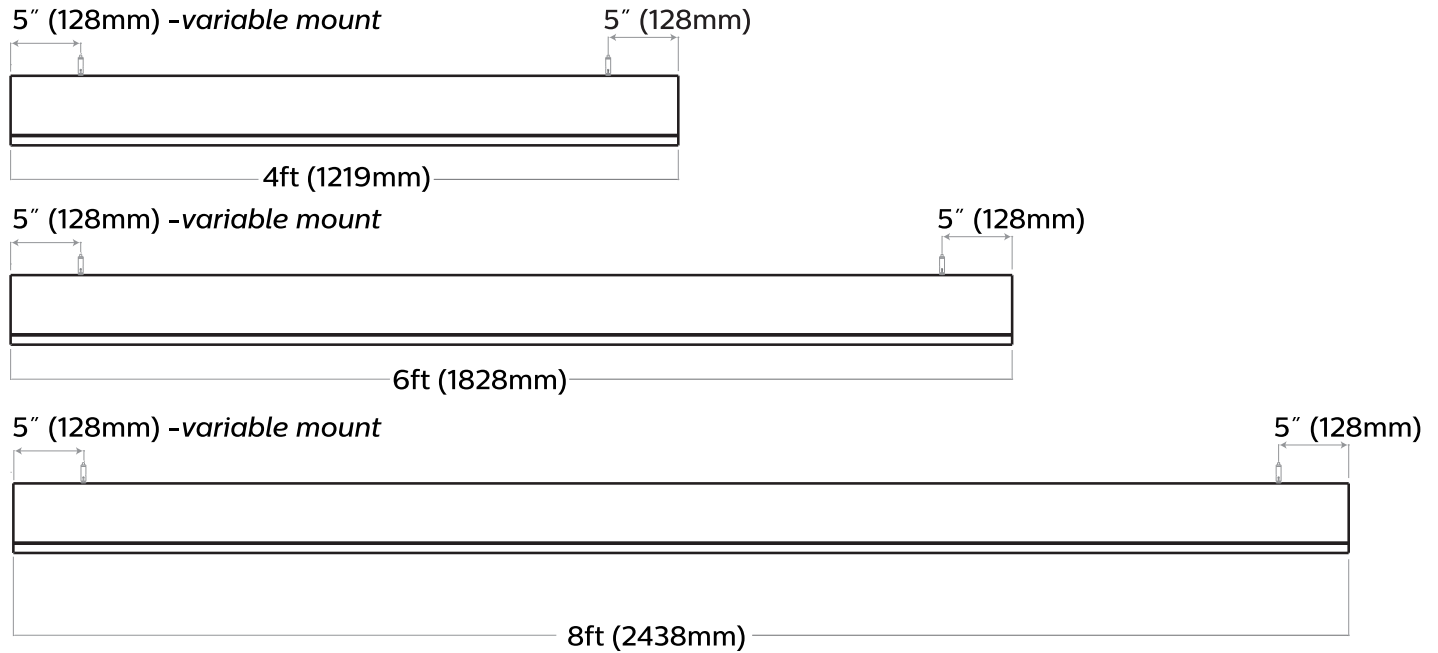
TruGroove suspended

4600 lm/4ft, Direct/Indirect

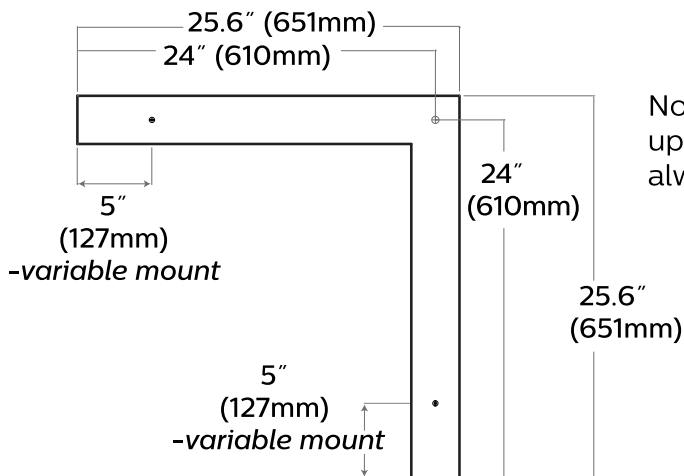
3000/3500/4000K

Dimensions - Modules

Suspended Linear Modules Without Endcaps - Side View



Suspended 2'x2' Corners Without Endcaps - Top View

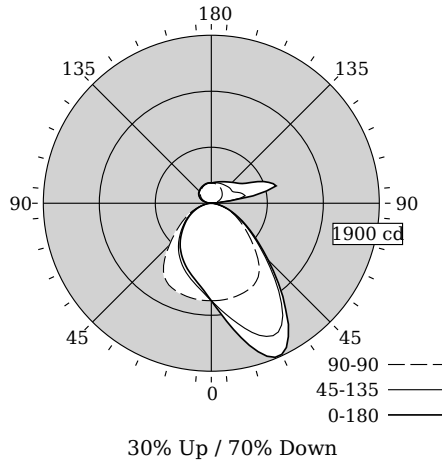


Note: In corners, the upper hemisphere is always symmetric.

TruGroove suspended

4600 lm/4ft, Direct/Indirect
3000/3500/4000K

Photometry - 3500K



Candela Distribution

Vertical Angle	Horizontal Angle				Zonal Lumens
	0	45	90	135	
0	1103	1103	1103	1103	0
5	1235	1208	1103	1015	988
15	1664	1464	1089	889	847
25	1886	1653	1055	775	732
35	1466	1383	943	647	613
45	912	865	671	499	474
55	537	512	436	362	346
65	296	290	267	236	227
75	135	130	124	119	117
85	25	23	25	27	29
90	0	0	0	0	0
95	73	64	23	33	23
105	759	380	74	104	88
115	579	297	118	144	138
125	391	271	149	170	174
135	334	265	172	186	194
145	295	254	194	203	208
155	268	246	212	218	219
165	248	239	223	228	229
175	234	231	228	231	232
180	229	229	229	229	229

Values per 4ft unit

Fixture photometry has been conducted in accordance with IESNA LM-79-08

IES files for this and other photometric options can be downloaded online at www.lightingproducts.philips.com

Coefficients of Utilization (%)

RCR	Ceiling									
	70	50	30	10	70	50	30	10	70	50
0	112	112	112	112	106	106	106	95	95	95
1	103	99	95	92	97	94	90	84	82	79
2	94	87	81	76	89	83	77	75	70	67
3	87	77	70	64	82	73	67	66	61	57
4	80	69	61	55	75	66	58	59	54	49
5	73	62	54	48	69	59	52	54	47	43
6	68	56	48	42	64	53	46	48	42	38
7	63	51	43	37	59	48	41	44	38	34
8	58	46	38	33	55	44	37	40	34	30
9	55	42	35	30	52	41	34	37	31	27
10	51	39	32	27	48	37	31	34	29	25

Avg. Luminance (cd/m2)

Vertical Angle	Horizontal Angle	
	0	180
55	10055	8161
65	7537	6794
75	5593	5128
85	3045	3045

Distribution

Hemisphere	30% Up / 70% Down
Glare Control	Meets RP-1-12 recommendations for VDT-Normal spaces
Spacing Along (0°)	1.66
Spacing Across (90°)	1.34
Spacing at 180°	0.92

TruGroove suspended

4600 lm/4ft, Direct/Indirect

3000/3500/4000K

Optical Performance @ 120V

Nominal CCT:	3000K	3500K	4000K
Flux (lm)	4085	4207	4189
Efficacy (lm/W)	89.0	91.5	90.5
Power (W)	45.9	46.0	46.3
CCT (K)	3110	3442	4097
CRI	81	82	83
R9	3	6	13
x	0.4316	0.4110	0.3767
y	0.4063	0.3986	0.3760
Duv	0.0020	0.0020	0.0010

Electrical Performance - 3500K

Input Voltage	120V	277V	347V
Input Power	46.0W	45.6W	42.1W
Input Current	0.38A	0.17A	0.13A
Power Factor	0.998	0.963	0.951
Total Harm. Distortion	7.2%	12.6%	12.0%

Tested values – contact technical support for rated values. Off-state power zero unless certain controls are specified.

With SpaceWise DT, standby power <0.5W (120V) or <0.8W (277V).

