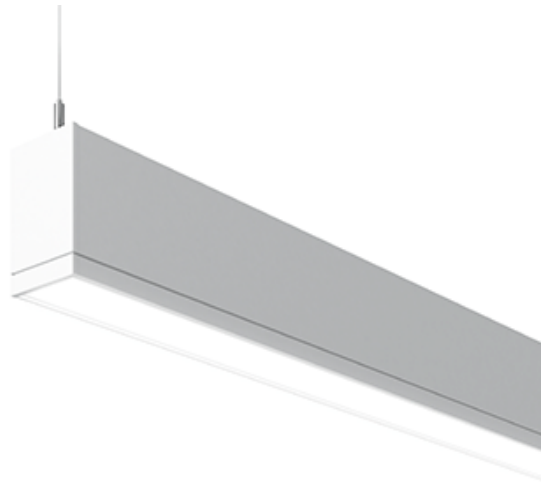




Linear

TruGroove Suspended LED

Direct/Indirect
CRI >80 3500K, 4600 lm/4ft



Project: _____
 Spec Type: _____
 Catalog No: 2906LBCWW
 Qty: _____
 Line Notes: _____

TruGroove LED is driving performance beyond the edge. Innovative optics deliver exceptional uniformity and wide row spacing from a 3” aperture continuous line-of light. An extended family and refined design are perfect for lighting any professional space.

Ordering guide

Product Type	Source	Color Temp *	Lumens *	Lower Optics	Upper Optics	Run Length	Wiring †	Voltage	Driver	Finish
2906	L	B	C	W	W					
TruGroove Suspended Direct/Indirect	L LED	A 4000K B 3500K C 3000K	B 5200 lm/4ft (35/65) C 4600 lm/4ft (30/70) D 3500 lm/4ft (35/65)	Q Symmetric MesoOptics W Asymmetric MesoOptics	Q Symmetric Performance W Asymmetric Performance	04 4' 06 6' 08 8' 22 2x2' XX Total run length (2 increments)	1 1cct 2 2 cct Up/Down 3 1 cct w/ EM cct 5 1 cct w/ BP 7 1 cct w/ Dimming	1 120V 2 277V 3 347V	E Philips Advance Other drivers available - consult factory	W Standard White T Titanium Silver B Black X Custom

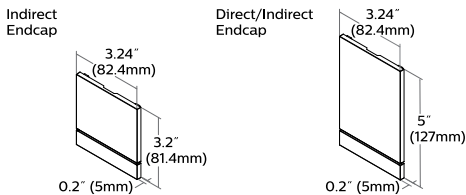
* Nominal values within a range. Consult ies file for exact color temp, lumens and up/down distribution † Consult website for complete list of standard wiring options

Mounting Hardware

Mount Type
Consult separate mounting spec sheet for mount type options

Suspension Length
Distance from ceiling to top of luminaire in inches

Endcaps - Flat Grooved



Integrated Controls Please indicate with check mark.

- Response Daylight Sensor Single Zone (DS)
- Philips Actilume Occupancy Sensor (DO) (includes field commissionable daylight sensor)

TruGroove Suspended Direct/Indirect LED

CRI >80 3500K, 4600 lm/4ft

Housing

Precision aluminum extrusion, post painted.

Weight

Maximum: Suspended & Surface 3.9lb/ft, Wall 4.1lb/ft & 2'x2' Corner unit 21lb

Optical System

Upper hemisphere: White light emitted from a linear array of upward-facing LEDs is shaped into a homogeneous, wide-throw batwing distribution using either a freeform elliptical lens or an engineered light guide panel.

Lower hemisphere: White light emitted from a linear array of downward-facing LEDs is laterally redirected using either a biconvex lens or optical microstructures embedded in a layer of MesoOptics DX film. An extruded acrylic lens and MesoOptics film assembly then generate an optimal batwing distribution and a uniform continuum of light.

Standard Driver

Dimming: 0-10V - 5-100%. Output is Class 2 rated.

Electrical

Factory pre-wired to section ends with quick-wire connectors.

Mounting

Suspended: Variable sling mount allows +/- 5" of horizontal adjustment from joint or end. Aircraft cable and tamper-resistant gripper provide unlimited vertical adjustment. Aircraft cable, crimp and gripper are independently tested to meet stringent safety requirements.

Wall: Hidden steel mounting brackets are provided for attachment to existing structure and hold housings close to the wall. Mounts are variable positioning, but should be no more than 4-1/2ft on center and within 12" of an end or joint.

Surface: Fixture is mounted flush to surface using hidden brackets. Brackets attach to existing structure, variable within 0.6"-1.7" of end or joint.

Joints

Self-aligning joining system with hands-free pre-joining wire access.

Endcaps

Diecast flat aluminum endcaps with integral groove to match housing.

Finish

High quality powder coated, available in matte white, black or titanium silver. Other custom colors available on request.

Approvals

Certified to UL, CSA and IES standards.

Lumen Maintenance

At an ambient temperature of 25°C, the LED lumen maintenance expectation is:

L80 (12k) >60,000h according to IES TM-21-11

Addendum A Reported methodology

L80 (6k) 110,000h according to IES TM-21-11 Projected methodology

Warranty

Philips indoor professional luminaires 5 year LED warranty:

<http://www.philips.com/warranties>

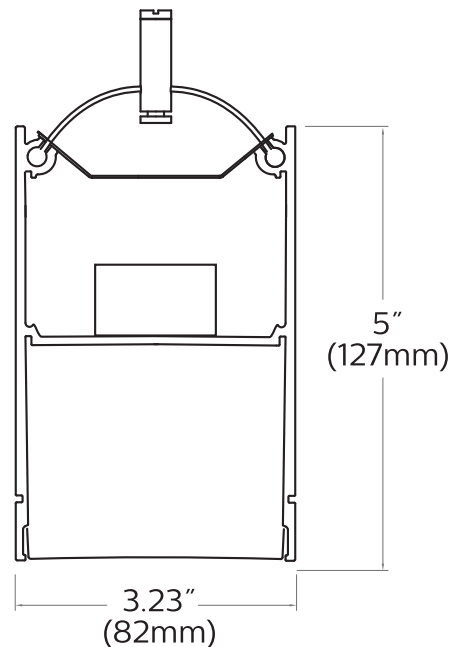
Environment

Rated for dry or damp locations in operating ambient temperatures 0-40°C (32-104°F). Certain luminaire components may be adversely affected by contaminants. Damage caused by sulfur, chlorine, petroleum based solutions or other contaminants are not covered under warranty.

Due to continuing product improvements, Philips Ledalite reserves the right to change the specifications without notice.

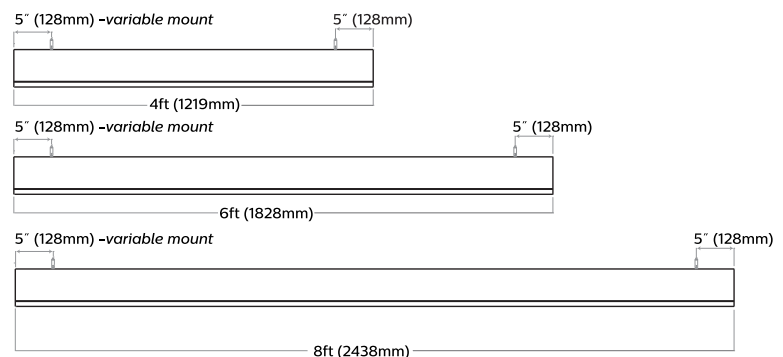
Options and Details

Cross Section

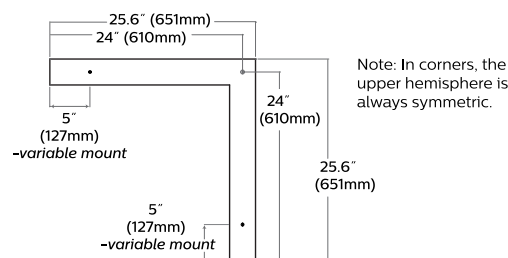


Modules

Suspended Linear Modules Without Endcaps - Side View



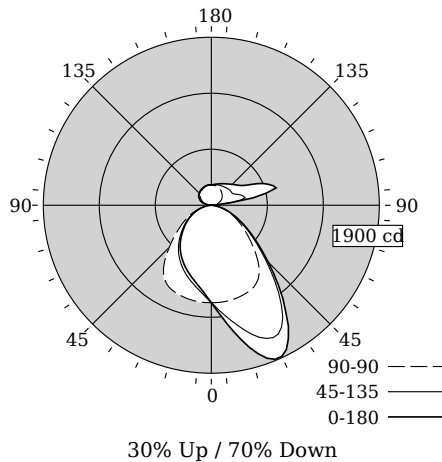
Suspended 2'x2' Corners Without Endcaps - Top View



TruGroove Suspended Direct/Indirect LED

CRI >80 3500K, 4600 lm/4ft

Photometry



Total Output	4207 lm
Efficacy	91.5 lm/W
CCT	3442K
CRI	82
R9	6
Distribution	30% Up / 70% Down
Spacing Criteria (0/90/180°)	1.66/1.34/0.92
Meets RP-1-04 recommendations for VDT-Normal spaces	

Values per 4ft unit

Fixture photometry has been conducted by an NVLAP accredited testing laboratory in accordance with IESNA LM-79-08

Lumen maintenance of the LEDs has been tested by the manufacturer in accordance with IESNA LM-80-08

IES files for this and other photometric options can be downloaded online at www.lightingproducts.philips.com

Candela Distribution

Vertical Angle	Horizontal Angle					Zonal Lumens
	0	45	90	135	180	
0	1103	1103	1103	1103	1103	0
5	1255	1208	1103	1015	988	107
15	1664	1464	1089	889	847	333
25	1886	1653	1055	775	732	547
35	1466	1383	943	647	613	622
45	912	865	671	499	474	528
55	537	512	436	362	346	393
65	296	290	267	236	227	262
75	135	130	124	119	117	133
85	25	23	25	27	29	31
90	0	0	0	0	0	0
95	73	64	23	33	23	70
105	759	380	74	104	88	246
115	579	297	118	144	138	229
125	391	271	149	170	174	196
135	334	265	172	186	194	172
145	295	254	194	203	208	142
155	268	246	212	218	219	106
165	248	239	223	228	229	66
175	234	231	228	231	232	22
180	229	229	229	229	229	0

Coefficients of Utilization (%)

RCR	Ceiling					Wall					0
	70	50	30	10	70	50	30	50	30	10	
0	112	112	112	112	106	106	106	95	95	95	70
1	103	99	95	92	97	94	90	84	82	79	61
2	94	87	81	76	89	83	77	75	70	67	52
3	87	77	70	64	82	73	67	66	61	57	45
4	80	69	61	55	75	66	58	59	54	49	39
5	73	62	54	48	69	59	52	54	47	43	34
6	68	56	48	42	64	53	46	48	42	38	30
7	63	51	43	37	59	48	41	44	38	34	27
8	58	46	38	33	55	44	37	40	34	30	24
9	55	42	35	30	52	41	34	37	31	27	22
10	51	39	32	27	48	37	31	34	29	25	20

Avg. Luminance (cd/m2)

Vertical Angle	Horizontal Angle		
	0	90	180
55	10055	8161	6479
65	7537	6794	5767
75	5593	5128	4849
85	3045	3045	3600

Electrical Specifications

Input Voltage	120V	277V
Input Power	46W	45.6W
Input Current	0.38A	0.17A
Power Factor	0.998	0.963
Total Harm. Distortion	7.2%	12.6%
Tested values – contact technical support for rated values. Off-state power zero unless certain controls are specified.		

© 2015 Koninklijke Philips N.V. All rights reserved. Philips reserves the right to make changes in specifications and/or to discontinue any product at any time without notice or obligation and will not be liable for any consequences resulting from the use of this publication. philips.com/luminaires
www.philips.com/luminaires



Philips Lighting, North America Corporation
200 Franklin Square Drive, Somerset, NJ 08873
Tel. 855-486-2216

Imported by: Philips Lighting,
A division of Philips Electronics Ltd.
281 Hillmount Rd, Markham, ON, Canada L6C 2S3
Tel. 800-668-9008