



Linear

TruGroove surface

2300 lm/4ft, Direct
3000/3500/4000K



Project: _____
 Spec Type: _____
 Catalog No: 2911LxGWN _____
 Qty _____
 Line Notes: _____

TruGroove suspended, surface & wall is driving performance beyond the edge. Innovative optics deliver exceptional uniformity and wide row spacing from a 3” aperture continuous line-of light. An extended family and refined design are perfect for lighting any professional space.

Ordering guide

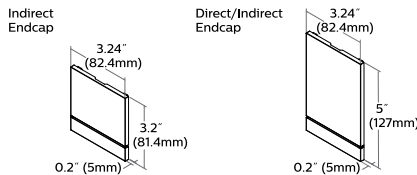
Product Type	Source	Color Temp *	Lumens *	Lower Optics	Upper Optics	Run Length	Wiring †	Voltage	Driver	Finish
2911	L		G	W	N					
TruGroove surface Direct	L LED	A 4000K B 3500K C 3000K	E 3200 lm/4ft G 2300 lm/4ft K 1500 lm/4ft	Q Symmetric MesoOptics W Asymmetric MesoOptics	N Solid Housing	04 4' 06 6' 08 8' XX Total run length (2' increments)	7 1cct Dimming M 1cct Dimming + EM Wiring N 1cct Dimming + EM Batt. Pack	1 120V 2 277V 3 347V	E Philips Advance 0-10V (1% dim)	W Standard White T Titanium Silver B Black C Custom

* Nominal values within a range. Consult photometry data for color temp, lumens & distribution of chosen configuration.
 † Not all wiring types are available with all configurations. Consult Philips Ledalite for a complete list of available options.

Mounting Hardware

Mount Type
 Consult separate mounting spec sheet for mount type options:
Ledalite Suspended Mounting Options

Endcaps - Flat Grooved



Integrated Controls Please indicate with check mark.

- Response Daylight Single Zone (DS)
- SpaceWise DT Occupancy & Daylight Sensor (SZ)



TruGroove surface

2300 lm/4ft, Direct

3000/3500/4000K

Optical System

Upper hemisphere: White light emitted from a linear array of upward-facing LEDs is shaped into a homogeneous, wide-throw batwing distribution using either a freeform elliptical lens or an engineered light guide panel.

Lower hemisphere: White light emitted from a linear array of downward-facing LEDs is laterally redirected using either a biconvex lens or optical microstructures embedded in a layer of MesoOptics DX film. An extruded acrylic lens and MesoOptics film assembly then generates an optimal batwing distribution and a uniform continuum of light.

Endcaps

Diecast flat aluminum endcaps with integral groove to match housing.

Finish

High quality powder coated, available in matte white, black or titanium silver. Other custom colors available on request. White sensors only.

Housing

Precision aluminum extrusion, post painted.

Weight

Maximum: Suspended & Surface 3.9lb/ft, Wall 4.1lb/ft & 2'x2' Corner unit 21lb

Electrical

Factory pre-wired to section ends with quick-wire connectors.

QuickShip

Available for certain configurations upon request. More information is available in the links below:

[QuickShip ColorCoded Guide](#)

[QuickShip Order Guide](#)

Standard Drivers

Philips Advance Xitanium 0-10V, 1-100%.

Philips Advance Xitanium SR, 5-100% (for SpaceWise DT).

Class 2 rated output. Consult Philips Ledalite for other available drivers.

Standard Battery Pack

Philips Bodine, 90 min, 10W, Class 2 rated output.

Emergency lumen output = 10W x luminaire efficacy x 1.1.

Typical output: 1100lm.

Lumen Maintenance

At an ambient temperature of 25°C, the LED lumen maintenance expectation according to IES TM-21-11 is:

L80 (12k) 60,000 hrs (**Reported** methodology)

L80 (6k) 110,000 hrs (**Projected** methodology).

Source Color

LEDs rated for color rendering CRI >80, R9 >0 and fixture to fixture color accuracy within 2 SDCM.

Controls

Suspended version available with the following integrated controls:

Response daylight sensor (for single zone).

SpaceWise DT occupancy & daylight sensor w/ advanced grouping & dwell time.

SpaceWise DT commissioning via Android phone and Philips Field App. Compatible dimming wireless wall switches are available. For more information, please refer to www.philips.com/spacewise

Mounting

Suspended: Variable sling mount allows +/- 5" of horizontal adjustment from joint or end. Aircraft cable and tamper-resistant gripper provide unlimited vertical adjustment and are independently tested to stringent safety standards.

Wall: A hidden steel rail and bracket system attaches to the existing structure and supports housings close to the wall. Mount positioning is fully variable along the modules to accommodate site conditions, spaced up to 4½' on center and within 12" of an end or joint.

Surface: Fixture is mounted flush to surface using hidden brackets that attach to existing structure, variable between 0.6"-1.7" from end or joint.

Joints

Self-aligning joining system with hands-free pre-joining wire access.

Approvals

Certified to UL, CSA and IES standards. Certain symmetric indirect/direct and indirect versions are DesignLights Consortium® qualified. Please see the DLC QPL list for exact catalog numbers (www.designlights.org/QPL).

Warranty

Five-year luminaire limited warranty including LED boards and driver.

[USA: Warranty Support](#)

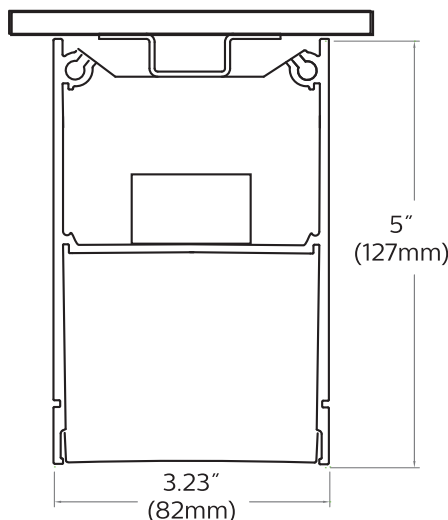
[Canada: Warranty Support](#)

Environment

Rated for dry or damp locations in operating ambient temperatures 0-40°C (32-104°F). Certain luminaire components may be adversely affected by contaminants. Damage caused by sulfur, chlorine, petroleum based solutions or other contaminants in the area of operation are not covered under warranty. Not suitable for natatorium environments.

Due to continuing product improvements, Philips Ledalite reserves the right to change the specifications without notice.

Dimensions - Cross Section



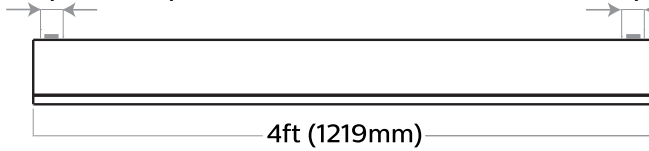
TruGroove surface

2300 lm/4ft, Direct
3000/3500/4000K

Dimensions - Modules

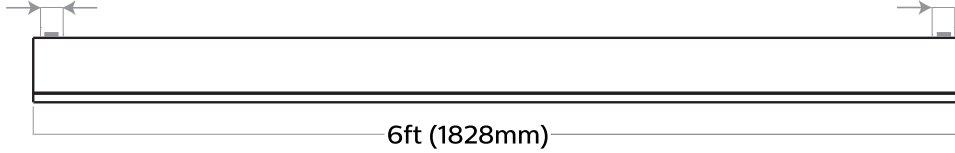
Surface Mount Without Endcaps - Side View

0.6-1.7" (15-44mm) -variable mount



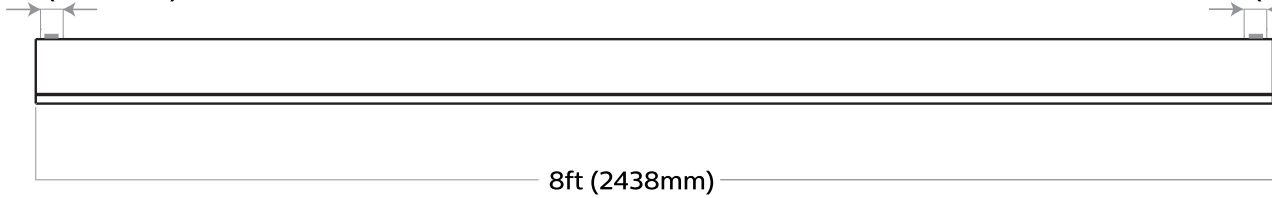
0.6-1.7" (15-44mm)

0.6-1.7" (15-44mm) -variable mount



0.6-1.7" (15-44mm)

0.6-1.7" (15-44mm) -variable mount

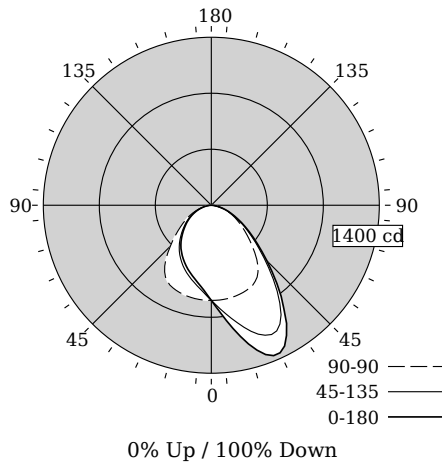


0.6-1.7" (15-44mm)

TruGroove surface

2300 lm/4ft, Direct
3000/3500/4000K

Photometry - 3500K



Candela Distribution

Vertical Angle	Horizontal Angle				Zonal Lumens
	0	45	90	135	
0	793	793	793	793	793
5	903	869	793	730	711
15	1197	1053	783	640	609
25	1357	1189	759	557	526
35	1055	995	678	465	441
45	656	622	483	359	341
55	386	368	313	260	249
65	213	208	192	170	163
75	97	94	89	86	84
85	18	16	18	19	21
90	0	0	0	0	0
95	0	0	0	0	0
105	0	0	0	0	0
115	0	0	0	0	0
125	0	0	0	0	0
135	0	0	0	0	0
145	0	0	0	0	0
155	0	0	0	0	0
165	0	0	0	0	0
175	0	0	0	0	0
180	0	0	0	0	0

Values per 4ft unit

Fixture photometry has been conducted in accordance with IESNA LM-79-08

IES files for this and other photometric options can be downloaded online at www.lightingproducts.philips.com

Coefficients of Utilization (%)

RCR	Ceiling												
	70	50	30	10	70	50	30	10	70	50	30	10	0
0	119	119	119	119	116	116	116	111	111	111	111	100	0
1	110	106	102	98	107	103	100	99	96	94	94	86	0
2	101	94	87	82	98	92	86	88	83	79	74	74	0
3	93	83	76	70	90	82	75	79	73	68	64	64	0
4	86	74	66	60	83	73	65	71	64	59	55	55	0
5	79	67	59	52	77	66	58	64	57	52	48	48	0
6	73	61	52	46	71	60	52	58	51	46	43	43	0
7	68	55	47	41	66	55	47	53	46	41	38	38	0
8	64	51	43	37	62	50	42	49	42	37	34	34	0
9	59	47	39	33	58	46	38	45	38	33	31	31	0
10	56	43	35	30	55	43	35	42	35	30	28	28	0

Avg. Luminance (cd/m2)

Vertical Angle	Horizontal Angle		
	0	90	180
55	7231	5870	4660
65	5421	4887	4148
75	4023	3688	3487
85	2190	2190	2589

Distribution

Hemisphere	0% Up / 100% Down
Glare Control	Meets RP-1-12 recommendations for VDT-Normal spaces
Spacing Along (0°)	1.66
Spacing Across (90°)	1.34
Spacing at 180°	0.92

TruGroove surface

2300 lm/4ft, Direct
3000/3500/4000K

Optical Performance @ 120V

Nominal CCT:	3000K	3500K	4000K
Flux (lm)	2057	2127	2134
Efficacy (lm/W)	85.7	88.6	87.8
Power (W)	24.0	24.0	24.3
CCT (K)	3107	3424	4065
CRI	81	82	83
R9	3	6	13
x	0.4321	0.4128	0.3787
y	0.4071	0.4010	0.3791
Duv	0.0020	0.0030	0.0020

Electrical Performance - 3500K

Input Voltage	120V	277V	347V
Input Power	24.0W	23.8W	20.7W
Input Current	0.20A	0.09A	0.06A
Power Factor	0.996	0.961	0.970
Total Harm. Distortion	7.3%	13.8%	11.5%

Tested values – contact technical support for rated values. Off-state power zero unless certain controls are specified.

With SpaceWise DT, standby power <0.5W (120V) or <0.8W (277V).

