



# Linear

TruGroove surface

2300 lm/4ft, Direct  
3000/3500/4000K



Project: \_\_\_\_\_  
 Spec Type: \_\_\_\_\_  
 Catalog No: 2911LxGQN \_\_\_\_\_  
 Qty \_\_\_\_\_  
 Line Notes: \_\_\_\_\_

TruGroove suspended, surface & wall is driving performance beyond the edge. Innovative optics deliver exceptional uniformity and wide row spacing from a 3" aperture continuous line-of light. An extended family and refined design are perfect for lighting any professional space.

## Ordering guide

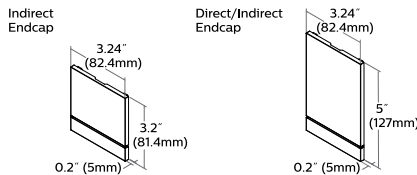
| Product Type                      | Source                         | Color Temp *                  | Lumens *  | Lower Optics  | Upper Optics                   | Run Length  | Wiring †   | Voltage                    | Driver                                 | Finish   |
|-----------------------------------|--------------------------------|-------------------------------|---|---|--------------------------------|---|--|----------------------------|--|--|
| <input type="text" value="2911"/> | <input type="text" value="L"/> | <input type="text"/>          | <input type="text" value="G"/>                  | <input type="text" value="Q"/>                          | <input type="text" value="N"/> | <input type="text"/>  | <input type="text"/>   | <input type="text"/>       | <input type="text"/>                   | <input type="text"/>   |
| TruGroove surface<br>Direct       | L LED                          | A 4000K<br>B 3500K<br>C 3000K | E 3200 lm/4ft<br>G 2300 lm/4ft<br>K 1500 lm/4ft | Q Symmetric<br>MesoOptics<br>W Asymmetric<br>MesoOptics | N Solid Housing                | 04 4'<br>06 6'<br>08 8'<br>XX Total run<br>length<br>(2'<br>increments) | 7 1cct Dimming<br>M 1cct Dimming + EM<br>Wiring<br>N 1cct Dimming + EM<br>Batt. Pack | 1 120V<br>2 277V<br>3 347V | E Philips Advance<br>0-10V<br>(1% dim) | W Standard<br>White<br>T Titanium<br>Silver<br>B Black<br>C Custom |

\* Nominal values within a range. Consult photometry data for color temp, lumens & distribution of chosen configuration.  
 † Not all wiring types are available with all configurations. Consult Philips Ledalite for a complete list of available options.

## Mounting Hardware

**Mount Type**  
 Consult separate mounting spec sheet for mount type options:  
**Ledalite Suspended Mounting Options**

## Endcaps -



## Integrated Controls Please indicate with check mark.

- Response Daylight Single Zone (DS)
- SpaceWise DT Occupancy & Daylight Sensor (SZ)

# TruGroove surface

2300 lm/4ft, Direct  
3000/3500/4000K

## Optical System

**Upper hemisphere:** White light emitted from a linear array of upward-facing LEDs is shaped into a homogeneous, wide-throw batwing distribution using either a freeform elliptical lens or an engineered light guide panel.

**Lower hemisphere:** White light emitted from a linear array of downward-facing LEDs is laterally redirected using either a biconvex lens or optical microstructures embedded in a layer of MesoOptics DX film. An extruded acrylic lens and MesoOptics film assembly then generates an optimal batwing distribution and a uniform continuum of light.

## Endcaps

Diecast flat aluminum endcaps with integral groove to match housing.

## Finish

High quality powder coated, available in matte white, black or titanium silver. Other custom colors available on request. White sensors only.

## Housing

Precision aluminum extrusion, post painted.

## Weight

Maximum: Suspended & Surface 3.9lb/ft, Wall 4.1lb/ft & 2'x2' Corner unit 21lb

## Electrical

Factory pre-wired to section ends with quick-wire connectors.

## QuickShip

Available for certain configurations upon request. More information is available in the links below:

[QuickShip ColorCoded Guide](#)

[QuickShip Order Guide](#)

## Standard Drivers

Philips Advance Xitanium 0-10V, 1-100%.  
Philips Advance Xitanium SR, 5-100% (for SpaceWise DT).

Class 2 rated output. Consult Philips Ledalite for other available drivers.

## Standard Battery Pack

Philips Bodine, 90 min, 10W, Class 2 rated output, Emergency lumen output = 10W x luminaire efficacy x 1.1. Typical output: 1100lm.

## Lumen Maintenance

At an ambient temperature of 25°C, the LED lumen maintenance expectation according to IES TM-21-11 is: L80 (12k) 60,000 hrs (**Reported** methodology)  
L80 (6k) 110,000 hrs (**Projected** methodology).

## Source Color

LEDs rated for color rendering CRI >80, R9 >0 and fixture to fixture color accuracy within 2 SDCM.

## Controls

Suspended version available with the following integrated controls:

Response daylight sensor (for single zone).

SpaceWise DT occupancy & daylight sensor w/ advanced grouping & dwell time.

SpaceWise DT commissioning via Android phone and Philips Field App. Compatible dimming wireless wall switches are available. For more information, please refer to [www.philips.com/spacewise](http://www.philips.com/spacewise)

## Mounting

**Suspended:** Variable sling mount allows +/- 5" of horizontal adjustment from joint or end. Aircraft cable and tamper-resistant gripper provide unlimited vertical adjustment and are independently tested to stringent safety standards.

**Wall:** A hidden steel rail and bracket system attaches to the existing structure and supports housings close to the wall. Mount positioning is fully variable along the modules to accommodate site conditions, spaced up to 4½' on center and within 12" of an end or joint.

**Surface:** Fixture is mounted flush to surface using hidden brackets that attach to existing structure, variable between 0.6"-1.7" from end or joint.

## Joints

Self-aligning joining system with hands-free pre-joining wire access.

## Approvals

Certified to UL, CSA and IES standards. Certain symmetric indirect/direct and indirect versions are DesignLights Consortium® qualified. Please see the DLC QPL list for exact catalog numbers ([www.designlights.org/QPL](http://www.designlights.org/QPL)).

## Warranty

Five-year luminaire limited warranty including LED boards and driver.

[USA: Warranty Support](#)

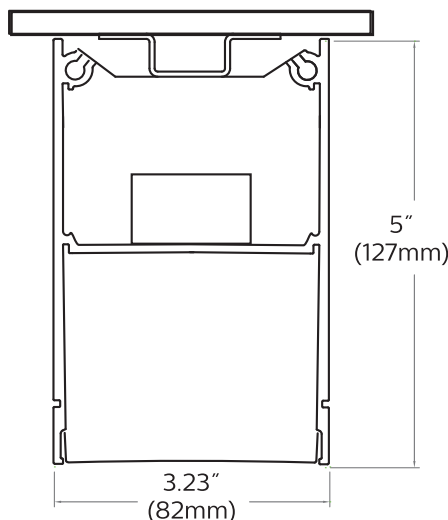
[Canada: Warranty Support](#)

## Environment

Rated for dry or damp locations in operating ambient temperatures 0-40°C (32-104°F). Certain luminaire components may be adversely affected by contaminants. Damage caused by sulfur, chlorine, petroleum based solutions or other contaminants in the area of operation are not covered under warranty. Not suitable for natatorium environments.

Due to continuing product improvements, Philips Ledalite reserves the right to change the specifications without notice.

## Dimensions - Cross Section



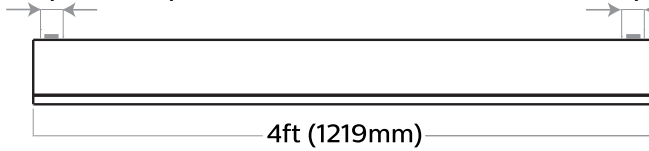
# TruGroove surface

2300 lm/4ft, Direct  
3000/3500/4000K

## Dimensions - Modules

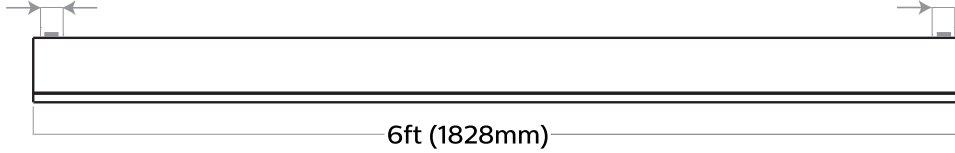
### Surface Mount Without Endcaps - Side View

0.6-1.7" (15-44mm) -variable mount



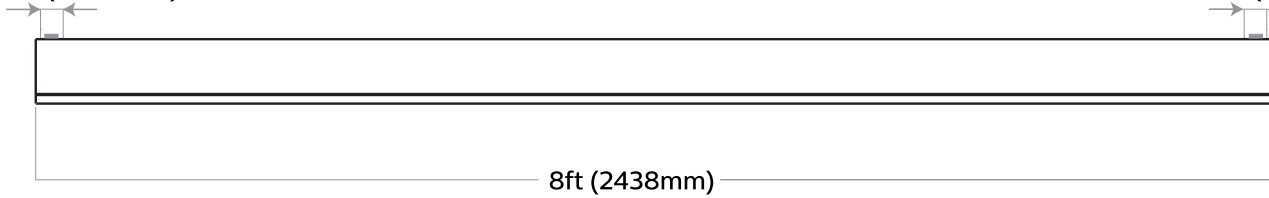
0.6-1.7" (15-44mm)

0.6-1.7" (15-44mm) -variable mount



0.6-1.7" (15-44mm)

0.6-1.7" (15-44mm) -variable mount

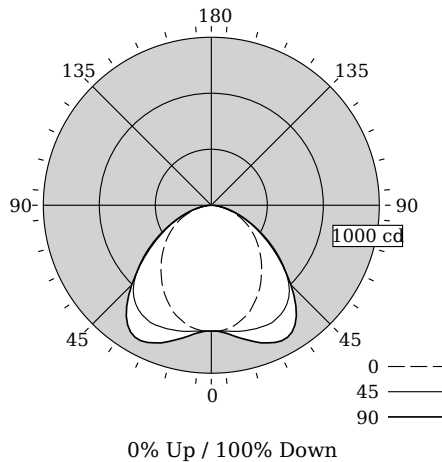


0.6-1.7" (15-44mm)

# TruGroove surface

2300 lm/4ft, Direct  
3000/3500/4000K

## Photometry - 3500K



## Candela Distribution

| Vertical Angle | Horizontal Angle |     |     | Zonal Lumens |
|----------------|------------------|-----|-----|--------------|
|                | 0                | 45  | 90  |              |
| 0              | 749              | 749 | 749 | 0            |
| 5              | 748              | 748 | 759 | 72           |
| 15             | 704              | 722 | 817 | 218          |
| 25             | 623              | 672 | 901 | 357          |
| 35             | 518              | 594 | 869 | 452          |
| 45             | 412              | 491 | 686 | 455          |
| 55             | 310              | 367 | 462 | 373          |
| 65             | 208              | 231 | 271 | 250          |
| 75             | 103              | 108 | 124 | 125          |
| 85             | 21               | 21  | 26  | 30           |
| 90             | 0                | 0   | 0   | 0            |
| 95             | 0                | 0   | 0   | 0            |
| 105            | 0                | 0   | 0   | 0            |
| 115            | 0                | 0   | 0   | 0            |
| 125            | 0                | 0   | 0   | 0            |
| 135            | 0                | 0   | 0   | 0            |
| 145            | 0                | 0   | 0   | 0            |
| 155            | 0                | 0   | 0   | 0            |
| 165            | 0                | 0   | 0   | 0            |
| 175            | 0                | 0   | 0   | 0            |
| 180            | 0                | 0   | 0   | 0            |

Values per 4ft unit

Fixture photometry has been conducted in accordance with IESNA LM-79-08

IES files for this and other photometric options can be downloaded online at [www.lightingproducts.philips.com](http://www.lightingproducts.philips.com)

## Coefficients of Utilization (%)

| RCR | Ceiling |     |     |     |     |     |     |     |     |     |     |
|-----|---------|-----|-----|-----|-----|-----|-----|-----|-----|-----|-----|
|     | 70      | 50  | 30  | 10  | 70  | 50  | 30  | 50  | 30  | 10  | 0   |
| 0   | 119     | 119 | 119 | 119 | 116 | 116 | 116 | 111 | 111 | 111 | 100 |
| 1   | 109     | 105 | 101 | 97  | 107 | 103 | 99  | 98  | 95  | 92  | 85  |
| 2   | 100     | 92  | 85  | 80  | 97  | 90  | 84  | 86  | 81  | 77  | 71  |
| 3   | 91      | 81  | 73  | 67  | 89  | 79  | 72  | 76  | 70  | 65  | 60  |
| 4   | 83      | 72  | 63  | 57  | 81  | 70  | 62  | 68  | 61  | 55  | 52  |
| 5   | 77      | 64  | 55  | 49  | 75  | 63  | 55  | 61  | 54  | 48  | 45  |
| 6   | 71      | 58  | 49  | 43  | 69  | 57  | 48  | 55  | 48  | 42  | 39  |
| 7   | 66      | 52  | 44  | 38  | 64  | 51  | 43  | 50  | 42  | 37  | 35  |
| 8   | 61      | 48  | 39  | 33  | 60  | 47  | 39  | 46  | 38  | 33  | 31  |
| 9   | 57      | 44  | 35  | 30  | 56  | 43  | 35  | 42  | 35  | 30  | 28  |
| 10  | 53      | 40  | 32  | 27  | 52  | 40  | 32  | 39  | 32  | 27  | 25  |

## Avg. Luminance (cd/m2)

| Vertical Angle | Horizontal Angle |      |      |
|----------------|------------------|------|------|
|                | 0                | 45   | 90   |
| 55             | 5809             | 8654 | 8351 |
| 65             | 5297             | 6858 | 6653 |
| 75             | 4291             | 5096 | 4962 |
| 85             | 2589             | 3186 | 3186 |

## Distribution

|                      |   |
|----------------------|---|
| Hemisphere           | 0% Up / 100% Down                                   |
| Glare Control        | Meets RP-1-12 recommendations for VDT-Normal spaces |
| Spacing Along (0°)   | 1.15  |
| Spacing Across (90°) | 1.63  |

Philips Ledalite

**LED lighting facts**  
A Program of the U.S. DOE

---

**Light Output (Lumens)** **2332**

**Watts** **23.8**

**Lumens per Watt (Efficacy)** **97.98**

---

**Color Accuracy** **82**

Color Rendering Index (CRI)

---

**Light Color** **3424 (Bright White)**

Correlated Color Temperature (CCT)

2700K    3000K    4500K    6500K

---

All results are according to IESNA LM-79-2008: Approved Method for the Electrical and Photometric Testing of Solid-State Lighting. The U.S. Department of Energy (DOE) verifies product test data and results.

Visit [www.lightingfacts.com](http://www.lightingfacts.com) for the Label Reference Guide.

Registration Number: F46Z-NRR5AT (1/26/2015)  
Model Number: 29x1LBQQN  
Type: Luminaire - Linear

# TruGroove surface

2300 lm/4ft, Direct  
3000/3500/4000K

## Optical Performance @ 120V

| Nominal CCT:    | 3000K  | 3500K  | 4000K  |
|-----------------|--------|--------|--------|
| Flux (lm)       | 2254   | 2332   | 2340   |
| Efficacy (lm/W) | 94.7   | 98.0   | 97.1   |
| Power (W)       | 23.8   | 23.8   | 24.1   |
| CCT (K)         | 3107   | 3424   | 4065   |
| CRI             | 81     | 82     | 83     |
| R9              | 3      | 6      | 13     |
| x               | 0.4321 | 0.4128 | 0.3787 |
| y               | 0.4071 | 0.4010 | 0.3791 |
| Duv             | 0.0020 | 0.0030 | 0.0020 |

## Electrical Performance - 3500K

| Input Voltage          | 120V  | 277V  | 347V  |
|------------------------|-------|-------|-------|
| Input Power            | 23.8W | 23.6W | 20.7W |
| Input Current          | 0.20A | 0.09A | 0.06A |
| Power Factor           | 0.996 | 0.961 | 0.970 |
| Total Harm. Distortion | 7.3%  | 13.8% | 11.5% |

Tested values – contact technical support for rated values. Off-state power zero unless certain controls are specified.

With SpaceWise DT, standby power <0.5W (120V) or <0.8W (277V).

