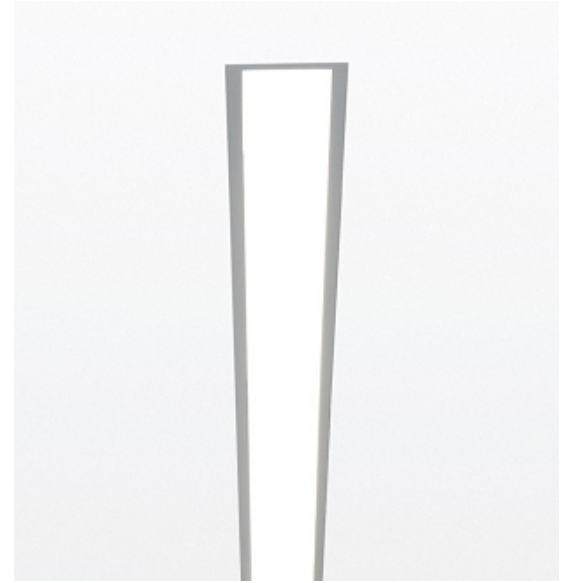


# Transforming light into an element of design

## TRUGROOVE STANDALONE DEFINITION LED



DIRECT DEFINITION, FLUSH SILK LENS  
2200 lm/4ft, Flush Silk  
4000K

**Project:** \_\_\_\_\_

**Spec Type:** \_\_\_\_\_

**Catalog No:** 39S0LAGL \_\_\_\_\_

**Qty** \_\_\_\_\_

**Line Notes:** \_\_\_\_\_



**ACTILUME**



### Ordering guide

| Product Type                      | Source                         | Color Temp *                   | Lumens *  | Optics                                     | Housing                        | Ceiling / Trim   | Run Length   | Wiring †   | Voltage                    | Driver  |
|-----------------------------------|--------------------------------|--------------------------------|---|--|--------------------------------|--|--|--|----------------------------|---|
| <input type="text" value="39S0"/> | <input type="text" value="L"/> | <input type="text" value="A"/> | <input type="text" value="G"/>                  | <input type="text" value="L"/>             | <input type="text" value="S"/> | <input type="text"/>   | <input type="text"/>   | <input type="text"/>   | <input type="text"/>       | <input type="text"/>  |
| TruGroove Definition LED          | L LED                          | A 4000K<br>B 3500K<br>C 3000K  | E 3000 lm/4ft<br>G 2200 lm/4ft<br>K 1500 lm/4ft | L Flush Silk Lens<br>M Regressed Silk Lens | S Standard<br>C Chicago Plenum | 1 T-Grid<br>3 Drywall Trimless<br>4 Drywall Trim<br><br>5 Armstrong Formations | 02 2'<br>22 2x2'<br>04 4'<br>06 6'<br>08 8'<br><br>06 6'<br>08 8'<br>10 10' (6' + 4' unit) | 7 1 cct Dimming<br>M 1 cct Dimming + EM Wiring<br>N 1 cct Dimming + EM Batt. Pack<br><br>1 1 cct<br>3 1 cct + EM/NL Wiring<br>5 1 cct + EM Batt. Pack<br>B 2 cct A/B | 1 120V<br>2 277V<br>3 347V | E Philips Advance 0-10V<br><br><i>Other drivers available - consult your Philips representative</i> |

\* Nominal values within a range. Consult photometry data for exact color temp, lumens & distribution.  
† Not all wiring types are available with all configurations. Consult Philips Ledalite for a complete list of available options.

### Mounting Hardware

Mount Type  
Consult separate mounting spec sheet for mount type options

### Integrated Controls Please indicate with check mark.

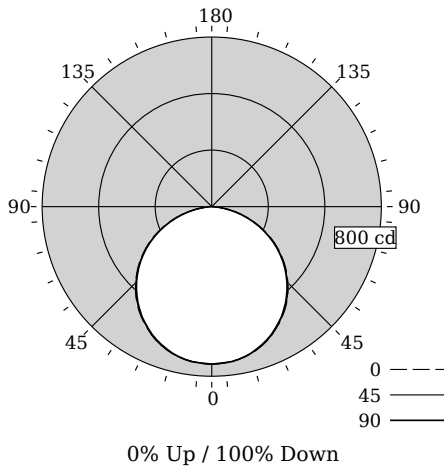
- Response Daylight Single Zone (DS)
- SpaceWise DT Occupancy & Daylight Sensor (SZ)



# TRUGROOVE STANDALONE DEFINITION LED

DIRECT DEFINITION, FLUSH SILK LENS

## Photometry



|   |                   |
|---|-------------------|
| Total Output  | 2159 lm           |
| Efficacy  | 77.4 lm/W         |
| CCT   | 4039K             |
| CRI   | 84                |
| Distribution  | 0% Up / 100% Down |
| Spacing Criteria (0/90/180°)                        | 1.27/1.26/NA      |
| Meets RP-1-12 recommendations for VDT-Normal spaces |                   |

Values per 4ft unit

Fixture photometry has been conducted in accordance with IESNA LM-79-08

IES files for this and other photometric options can be downloaded online at [www.lightingproducts.philips.com](http://www.lightingproducts.philips.com)

## Candela Distribution

| Vertical Angle | Horizontal Angle |      |     |      | Zonal Lumens |
|----------------|------------------|------|-----|------|--------------|
|                | 0                | 22.5 | 45  | 67.5 |              |
| 0              | 743              | 743  | 743 | 743  | 0            |
| 5              | 740              | 736  | 739 | 741  | 70           |
| 15             | 719              | 711  | 717 | 717  | 202          |
| 25             | 670              | 664  | 668 | 665  | 307          |
| 35             | 599              | 595  | 596 | 595  | 373          |
| 45             | 509              | 506  | 507 | 503  | 389          |
| 55             | 401              | 399  | 398 | 394  | 355          |
| 65             | 279              | 277  | 274 | 272  | 272          |
| 75             | 148              | 147  | 145 | 144  | 154          |
| 85             | 30               | 30   | 29  | 30   | 37           |
| 90             | 0                | 0    | 0   | 0    | 0            |
| 95             | 0                | 0    | 0   | 0    | 0            |
| 105            | 0                | 0    | 0   | 0    | 0            |
| 115            | 0                | 0    | 0   | 0    | 0            |
| 125            | 0                | 0    | 0   | 0    | 0            |
| 135            | 0                | 0    | 0   | 0    | 0            |
| 145            | 0                | 0    | 0   | 0    | 0            |
| 155            | 0                | 0    | 0   | 0    | 0            |
| 165            | 0                | 0    | 0   | 0    | 0            |
| 175            | 0                | 0    | 0   | 0    | 0            |
| 180            | 0                | 0    | 0   | 0    | 0            |

## Coefficients of Utilization (%)

| RCR | Ceiling |     | 80  |     |     |     | 70  |     |     |     | 50  |     |     |     | 30  |     |     |     | 10  |     |     |     |
|-----|---------|-----|-----|-----|-----|-----|-----|-----|-----|-----|-----|-----|-----|-----|-----|-----|-----|-----|-----|-----|-----|-----|
|     | Wall    | 70  | 50  | 30  | 10  | 70  | 50  | 30  | 10  | 70  | 50  | 30  | 10  | 70  | 50  | 30  | 10  | 70  | 50  | 30  | 10  |     |
| 0   | 119     | 119 | 119 | 119 | 116 | 116 | 116 | 111 | 111 | 111 | 111 | 100 | 100 | 100 | 100 | 100 | 100 | 100 | 100 | 100 | 100 | 100 |
| 1   | 109     | 104 | 100 | 96  | 106 | 102 | 98  | 97  | 94  | 91  | 84  | 84  | 84  | 84  | 84  | 84  | 84  | 84  | 84  | 84  | 84  | 84  |
| 2   | 99      | 90  | 83  | 78  | 96  | 88  | 82  | 85  | 80  | 75  | 69  | 69  | 69  | 69  | 69  | 69  | 69  | 69  | 69  | 69  | 69  | 69  |
| 3   | 90      | 79  | 71  | 64  | 87  | 78  | 70  | 75  | 68  | 63  | 58  | 58  | 58  | 58  | 58  | 58  | 58  | 58  | 58  | 58  | 58  | 58  |
| 4   | 82      | 70  | 61  | 54  | 80  | 69  | 60  | 66  | 59  | 53  | 50  | 50  | 50  | 50  | 50  | 50  | 50  | 50  | 50  | 50  | 50  | 50  |
| 5   | 76      | 63  | 53  | 47  | 73  | 61  | 53  | 59  | 52  | 46  | 43  | 43  | 43  | 43  | 43  | 43  | 43  | 43  | 43  | 43  | 43  | 43  |
| 6   | 70      | 56  | 47  | 41  | 68  | 55  | 47  | 53  | 46  | 40  | 37  | 37  | 37  | 37  | 37  | 37  | 37  | 37  | 37  | 37  | 37  | 37  |
| 7   | 65      | 51  | 42  | 36  | 63  | 50  | 42  | 49  | 41  | 35  | 33  | 33  | 33  | 33  | 33  | 33  | 33  | 33  | 33  | 33  | 33  | 33  |
| 8   | 60      | 46  | 38  | 32  | 59  | 46  | 38  | 44  | 37  | 32  | 29  | 29  | 29  | 29  | 29  | 29  | 29  | 29  | 29  | 29  | 29  | 29  |
| 9   | 56      | 43  | 34  | 29  | 55  | 42  | 34  | 41  | 34  | 28  | 26  | 26  | 26  | 26  | 26  | 26  | 26  | 26  | 26  | 26  | 26  | 26  |
| 10  | 53      | 39  | 31  | 26  | 51  | 39  | 31  | 38  | 31  | 26  | 24  | 24  | 24  | 24  | 24  | 24  | 24  | 24  | 24  | 24  | 24  | 24  |

## Avg. Luminance (cd/m2)

| Vertical Angle | Horizontal Angle |      |      |
|----------------|------------------|------|------|
|                | 0                | 45   | 90   |
| 55             | 7681             | 7626 | 7543 |
| 65             | 7249             | 7137 | 7062 |
| 75             | 6284             | 6162 | 6101 |
| 85             | 3805             | 3624 | 3624 |

**LED lighting facts**  
A Program of the U.S. DOE

Light Output (Lumens) **2159**

Watts **27.9**

Lumens per Watt (Efficacy) **77**

Color Accuracy  
Color Rendering Index (CRI) **84**

Light Color  
Correlated Color Temperature (CCT) **4039 (Bright White)**

Warm White | Bright White | Daylight

2700K | 3000K | 4500K | 6500K

All results are according to IESNA LM-79-08: Approved Method for the Electrical and Photometric Testing of Solid-State Lighting. The U.S. Department of Energy (DOE) verifies product test data and results.

Visit [www.lightingfacts.com](http://www.lightingfacts.com) for the Label Reference Guide.

Registration Number: F46Z-79ZR0K (8/5/2014)  
Model Number: 39vLAGLx04  
Type: Luminaire - Linear

## Electrical Specifications

|  |       |       |
|--|-------|-------|
| Input Voltage  | 120V  | 277V  |
| Input Power  | 27.9W | 27.9W |
| Input Current  | 0.24A | 0.11A |
| Power Factor   | 0.983 | 0.878 |
| Total Harm. Distortion   | 16.5% | 19.3% |
| Tested values – contact technical support for rated values.<br>Off-state power zero unless certain controls are specified. |       |       |
| With SpaceWise DT, standby power <0.5W (120V) or <0.8W (277V).   |       |       |

# TRUGROOVE STANDALONE DEFINITION LED

## Modules & Runs

TruGroove Standalone LED nominal housing lengths

2ft, 4ft, 6ft, 8ft

Flush lens trimless versions can be installed in either the wall or ceiling.

Refer to module size details below for actual dimensions e.g. trim. T-grid units fit within a standard 2' grid. To specify continuous runs, refer to TruGroove Continuous data sheets.

### Standalone Modules T-Grid & Drywall



2 ft



4 ft



6 ft



8 ft

### Armstrong® Formations™



6 ft



8 ft

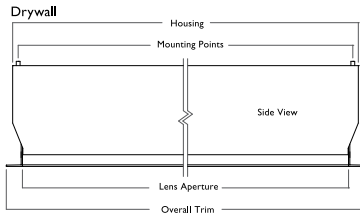
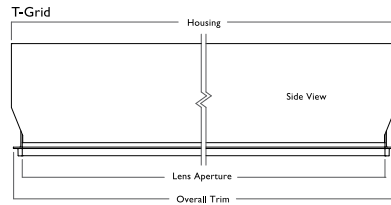


10 ft

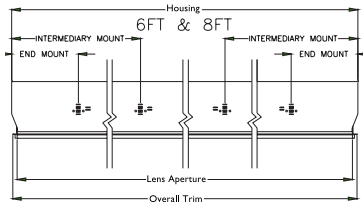


## Module Dimensions

### Standalone Recessed



### Armstrong Formations



| Nominal Lengths | Housing      | Lens         | Mounting Points | T-Grid        | Drywall Trimless | Drywall Trim |
|-----------------|--------------|--------------|-----------------|---------------|------------------|--------------|
| 2ft             | 23.9"/607mm  | 23.0"/584mm  | 23.4"/584mm     | 23.75"/603mm  | 26.35"/669mm     | 24.5"/622mm  |
| 4ft             | 47.9"/1217mm | 47.0"/1194mm | 47.4"/1204mm    | 47.75"/1213mm | 50.35"/1279mm    | 48.5"/1232mm |
| 6ft             | 71.9"/1826mm | 71.0"/1803mm | 71.4"/1814mm    | 71.75"/1822mm | 74.35"/1888mm    | 72.5"/1841mm |
| 8ft             | 95.9"/2436mm | 95.0"/2413mm | 95.4"/2423mm    | 95.75"/2432mm | 98.35"/2498mm    | 96.5"/2451mm |

| Nominal Lengths | Housing        | Lens           | Mount Points from End/Join | Intermediary Mount from End/Join | Overall Trim   |
|-----------------|----------------|----------------|----------------------------|----------------------------------|----------------|
| 6ft             | 71.79"/1823mm  | 70.88"/1800mm  | 5.49"/139.5mm              | 29.49"/749mm                     | 71.63"/1819mm  |
| 8ft             | 95.79"/2433mm  | 94.88"/2410mm  | 5.49"/139.5mm              | 29.49"/749mm                     | 95.63"/2429mm  |
| 10ft            | 119.81"/3043mm | 118.84"/3018mm | 5.49"/139.5mm              | 29.49"/749mm                     | 119.58"/3037mm |

## Options and Details



\* Compatible with TechZone® 4" Ceiling Grid and Armstrong Formations

## Trim Views

### Flush lens



Drywall Trimless



Drywall Trim



T-grid

### Housing

Die-formed 20 gauge cold-rolled steel. Multiple upper wire entrances available for continuous row mounting of fixtures.

### Weight

Maximum 3.5lb/ft.

### Optical System

Performance version: White light emitted from the LED sources is internally reflected and laterally redirected by a biconvex lens. Light is then reflected by Miro Silver panels and exits through the optical lens assembly. This assembly contains acrylic extrusion profiles to retain a layer of MesoOptics film, creating both an uninterrupted continuum of light and an optical batwing distribution.

Definition version: Light passes through a diffuse white acrylic lens to deliver a highly uniform luminous continuum.

### Standard Driver

Dimming: 0-10V, 5-100%. Philips Advance Xitanium Sensor Ready (SR), 5-100% (for SpaceWise). Output is Class 2 rated.

### Lumen Maintenance

At an ambient temperature of 25°C in non-insulated contact applications, the LED lumen maintenance expectation for each lumen package is:

K: L<sub>90</sub> (12k) 71,000 hrs

G: L<sub>90</sub> (12k) 68,000 hrs

E: L<sub>90</sub> (12k) 54,000 hrs

### Controls

Available with SpaceWise DT occupancy & daylight sensor w/ advanced grouping & dwell time.

\* SpaceWise DT commissioning is via a compatible Android phone and Philips Field App. Compatible wireless dimming wall switches are available for dimming. For more information, please refer to [www.philips.com/spacewise](http://www.philips.com/spacewise)

### Mounting

Mounting brackets on housing sides support T-Grid installation. 1/16" diameter aircraft cable with self-locking, tamper-resistant, miniature cable gripper provides vertical adjustment. Aircraft cable, crimp and gripper independently tested to meet stringent safety requirements.

Compatible with 4" Armstrong TechZone ceiling grid.

### Joints

Self-aligning joining system with hands-free pre-joining wire access.

### Electrical

Factory pre-wired to section ends with quick-wire connectors.

### Approvals

Certified to UL, CSA and IES standards. Insulation Contact (IC) rated.

### Finish

Extruded aluminum trim and die-cast endplates coated with electrostatically applied and thermally cured polyester. White sensors only: powder coat paint finish.

### Environment

Rated for dry or damp locations in operating ambient temperatures 0-40°C (32-104°F). Certain luminaire components may be adversely affected by contaminants. Damage caused by sulfur, chlorine, petroleum based solutions or other contaminants are not covered under warranty.

Due to continuing product improvements, Philips Ledalite reserves the right to change the specifications without notice.



© 2014 Koninklijke Philips N.V. All rights reserved.  
Specifications are subject to change without notice.  
[www.philips.com/luminaires](http://www.philips.com/luminaires)

TruGrvStndDefn\_40K22lm\_L 08.17 page 4 of 4

Philips Lighting  
North America Corporation  
200 Franklin Square Drive  
Somerset, NJ 08873  
Phone: 855-486-2216