

# Transforming light into an element of design

## TRUGROOVE STANDALONE DEFINITION LED



DIRECT DEFINITION, REGRESSED SILK LENS  
2200 lm/4ft, Regress Silk  
3500K

**Project:**

**Spec Type:**

**Catalog No:** 39S0LBGM

**Qty**

**Line Notes:**



**ACTILUME**



### Ordering guide

Product Type	Source	Color Temp *	Lumens *	Optics	Housing	Ceiling / Trim	Run Length	Wiring †	Voltage	Driver
<input type="text" value="39S0"/>	<input type="text" value="L"/>	<input type="text" value="B"/>	<input type="text" value="G"/>	<input type="text" value="M"/>	<input type="text" value="S"/>	<input type="text"/>	<input type="text"/>	<input type="text"/>	<input type="text"/>	<input type="text"/>
TruGroove Definition LED	L LED	A 4000K B 3500K C 3000K	E 3000 lm/4ft G 2200 lm/4ft K 1500 lm/4ft	L Flush Silk Lens M Regressed Silk Lens	S Standard C Chicago Plenum	1 T-Grid 3 Drywall Trimless 4 Drywall Trim  5 Armstrong Formations	02 2' 22 2x2' 04 4' 06 6' 08 8'  06 6' 08 8' 10 10' (6' + 4' unit)	7 1 cct Dimming M 1 cct Dimming + EM Wiring N 1 cct Dimming + EM Batt. Pack  1 1 cct 3 1 cct + EM/NL Wiring 5 1 cct + EM Batt. Pack B 2 cct A/B	1 120V 2 277V 3 347V	E Philips Advance 0-10V  <i>Other drivers available - consult your Philips representative</i>

\* Nominal values within a range. Consult photometry data for exact color temp, lumens & distribution.

† Not all wiring types are available with all configurations. Consult Philips Ledalite for a complete list of available options.

### Mounting Hardware

Mount Type

Consult separate mounting spec sheet for mount type options

**Integrated Controls** Please indicate with check mark.

Response Daylight Single Zone (DS)

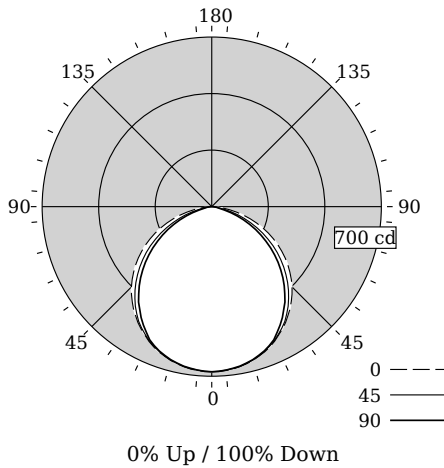
SpaceWise DT Occupancy & Daylight Sensor (SZ)



# TRUGROOVE STANDALONE DEFINITION LED

DIRECT DEFINITION, REGRESSED SILK LENS

## Photometry



<b>Total Output</b>	<b>1823 lm</b>
<b>Efficacy</b>	<b>65.6 lm/W</b>
<b>CCT</b>	<b>3491K</b>
<b>CRI</b>	<b>83</b>
<b>Distribution</b>	<b>0% Up / 100% Down</b>
<b>Spacing Criteria (0/90/180°)</b>	<b>1.27/1.23/NA</b>
Meets RP-1-12 recommendations for VDT-Normal spaces	

Values per 4ft unit

Fixture photometry has been conducted in accordance with IESNA LM-79-08

IES files for this and other photometric options can be downloaded online at [www.lightingproducts.philips.com](http://www.lightingproducts.philips.com)

## Candela Distribution

Vertical Angle	Horizontal Angle				Zonal Lumens
	0	22.5	45	67.5	
0	682	682	682	682	0
5	679	677	677	679	64
15	657	650	655	655	185
25	614	608	611	608	280
35	548	543	540	525	335
45	469	462	443	424	341
55	370	359	330	307	296
65	258	237	205	181	208
75	136	114	84	61	96
85	27	14	12	12	19
90	0	0	0	0	0
95	0	0	0	0	0
105	0	0	0	0	0
115	0	0	0	0	0
125	0	0	0	0	0
135	0	0	0	0	0
145	0	0	0	0	0
155	0	0	0	0	0
165	0	0	0	0	0
175	0	0	0	0	0
180	0	0	0	0	0

## Coefficients of Utilization (%)

RCR	Ceiling: Wall											
	80				70				50			
	70	50	30	10	70	50	30	10	50	30	10	0
0	119	119	119	119	116	116	116	111	111	111	111	100
1	109	105	101	97	107	103	99	98	95	93	85	85
2	100	92	85	80	97	90	84	87	82	77	72	72
3	91	81	73	67	89	79	72	77	70	65	61	61
4	84	72	63	57	81	71	63	68	61	56	52	52
5	77	64	56	49	75	63	55	61	54	48	45	45
6	71	58	49	43	69	57	49	55	48	42	40	40
7	66	53	44	38	64	52	44	50	43	38	35	35
8	61	48	40	34	60	47	39	46	39	34	31	31
9	57	44	36	31	56	44	36	42	35	30	28	28
10	54	41	33	28	53	40	33	39	32	27	26	26

## Avg. Luminance (cd/m2)

Vertical Angle	Horizontal Angle		
	0	45	90
55	7097	6321	5683
65	6697	5343	4477
75	5775	3563	2273
85	3466	1460	1460

**LED lighting facts**  
A Program of the U.S. DOE

**Light Output (Lumens)** 1823  
**Watts** 27.8  
**Lumens per Watt (Efficacy)** 65

**Color Accuracy**  
Color Rendering Index (CRI) 83

**Light Color**  
Correlated Color Temperature (CCT) 3491 (Bright White)

Warm White 3000K Bright White 4500K Daylight 6500K

All results are according to IESNA LM-79-08: Approved Method for the Electrical and Photometric Testing of Solid-State Lighting. The U.S. Department of Energy (DOE) verifies product test data and results.

Visit [www.lightingfacts.com](http://www.lightingfacts.com) for the Label Reference Guide.

Registration Number: F46Z-FDC4KS (3/12/2014)  
Model Number: 39v/LBG Mxx04  
Type: Luminaire - Linear

## Electrical Specifications

<b>Input Voltage</b>	<b>120V</b>	<b>277V</b>
<b>Input Power</b>	<b>27.8W</b>	<b>27.8W</b>
<b>Input Current</b>	<b>0.24A</b>	<b>0.11A</b>
<b>Power Factor</b>	<b>0.983</b>	<b>0.878</b>
<b>Total Harm. Distortion</b>	<b>16.5%</b>	<b>19.3%</b>
Tested values – contact technical support for rated values. Off-state power zero unless certain controls are specified.		
With SpaceWise DT, standby power <0.5W (120V) or <0.8W (277V).		

# TRUGROOVE STANDALONE DEFINITION LED

## Modules & Runs

TruGroove Standalone LED nominal housing lengths

2ft, 4ft, 6ft, 8ft

Regress lens versions can only be installed in the ceiling (not in wall).

Refer to module size details below for actual dimensions e.g. trim. T-grid units fit within a standard 2' grid. To specify continuous runs, refer to TruGroove Continuous data sheets.

### Standalone Modules T-Grid & Drywall



2 ft



4 ft



6 ft



8 ft

### Armstrong® Formations™



6 ft



8 ft

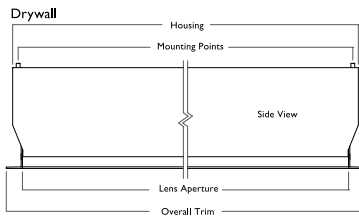
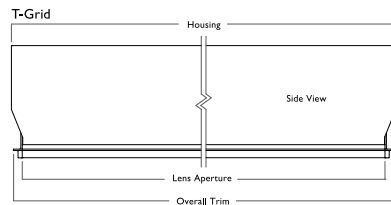


10 ft

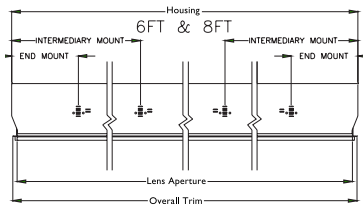


## Module Dimensions

### Standalone Recessed



### Armstrong Formations

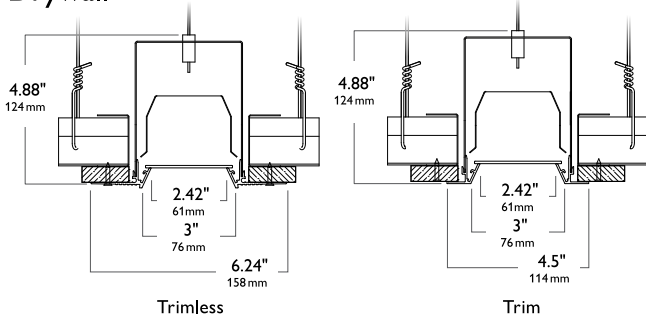


Nominal Lengths	Housing	Lens	Mounting Points	T-Grid	Drywall Trimless	Drywall Trim
2ft	23.9"/607mm	23.0"/584mm	23.4"/584mm	23.75"/603mm	26.35"/669mm	24.5"/622mm
4ft	47.9"/1217mm	47.0"/1194mm	47.4"/1204mm	47.75"/1213mm	50.35"/1279mm	48.5"/1232mm
6ft	71.9"/1826mm	71.0"/1803mm	71.4"/1814mm	71.75"/1822mm	74.35"/1888mm	72.5"/1841mm
8ft	95.9"/2436mm	95.0"/2413mm	95.4"/2423mm	95.75"/2432mm	98.35"/2498mm	96.5"/2451mm

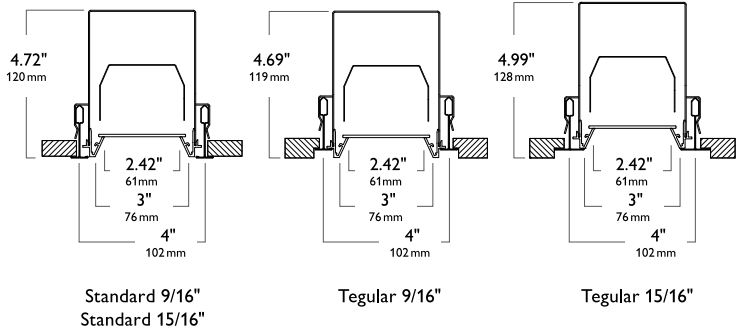
Nominal Lengths	Housing	Lens	Mount Points from End/Join	Intermediary Mount from End/Join	Overall Trim
6ft	71.79"/1823mm	70.88"/1800mm	5.49"/139.5mm	29.49"/749mm	71.63"/1819mm
8ft	95.79"/2433mm	94.88"/2410mm	5.49"/139.5mm	29.49"/749mm	95.63"/2429mm
10ft	119.81"/3043mm	118.84"/3018mm	5.49"/139.5mm	29.49"/749mm	119.58"/3037mm

## Options and Details

### Drywall



### T-grid\*



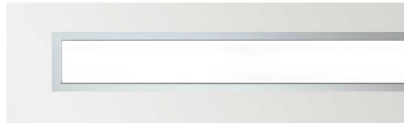
\* Compatible with TechZone® 4" Ceiling Grid and Armstrong Formations

## Trim Views

### Regressed lens



Drywall Trimless



Drywall Trim



T-grid

### Housing

Die-formed 20 gauge cold-rolled steel. Multiple upper wire entrances available for continuous row mounting of fixtures.

### Weight

Maximum 3.5lb/ft.

### Optical System

Performance version: White light emitted from the LED sources is internally reflected and laterally redirected by a biconvex lens. Light is then reflected by Miro Silver panels and exits through the optical lens assembly. This assembly contains acrylic extrusion profiles to retain a layer of MesoOptics film, creating both an uninterrupted continuum of light and an optical batwing distribution.

Definition version: Light passes through a diffuse white acrylic lens to deliver a highly uniform luminous continuum.

### Standard Driver

Dimming: 0-10V, 5-100%. Philips Advance Xitanium Sensor Ready (SR), 5-100% (for SpaceWise). Output is Class 2 rated.

### Lumen Maintenance

At an ambient temperature of 25°C in non-insulated contact applications, the LED lumen maintenance expectation for each lumen package is:

K: L<sub>90</sub> (12k) 71,000 hrs

G: L<sub>90</sub> (12k) 68,000 hrs

E: L<sub>90</sub> (12k) 54,000 hrs

### Controls

Available with SpaceWise DT occupancy & daylight sensor w/ advanced grouping & dwell time.

\* SpaceWise DT commissioning is via a compatible Android phone and Philips Field App. Compatible wireless dimming wall switches are available for dimming. For more information, please refer to [www.philips.com/spacewise](http://www.philips.com/spacewise)

### Mounting

Mounting brackets on housing sides support T-Grid installation. 1/16" diameter aircraft cable with self-locking, tamper-resistant, miniature cable gripper provides vertical adjustment. Aircraft cable, crimp and gripper independently tested to meet stringent safety requirements.

Compatible with 4" Armstrong TechZone ceiling grid.

### Joints

Self-aligning joining system with hands-free pre-joining wire access.

### Electrical

Factory pre-wired to section ends with quick-wire connectors.

### Approvals

Certified to UL, CSA and IES standards. Insulation Contact (IC) rated.

### Finish

Extruded aluminum trim and die-cast endplates coated with electrostatically applied and thermally cured polyester. White sensors only: powder coat paint finish.

### Environment

Rated for dry or damp locations in operating ambient temperatures 0-40°C (32-104°F). Certain luminaire components may be adversely affected by contaminants. Damage caused by sulfur, chlorine, petroleum based solutions or other contaminants are not covered under warranty.

Due to continuing product improvements, Philips Ledalite reserves the right to change the specifications without notice.



© 2014 Koninklijke Philips N.V. All rights reserved.  
Specifications are subject to change without notice.  
[www.philips.com/luminaires](http://www.philips.com/luminaires)

TruGrvStndDefn\_35K22lm\_M 08.17 page 4 of 4

Philips Lighting  
North America Corporation  
200 Franklin Square Drive  
Somerset, NJ 08873  
Phone: 855-486-2216