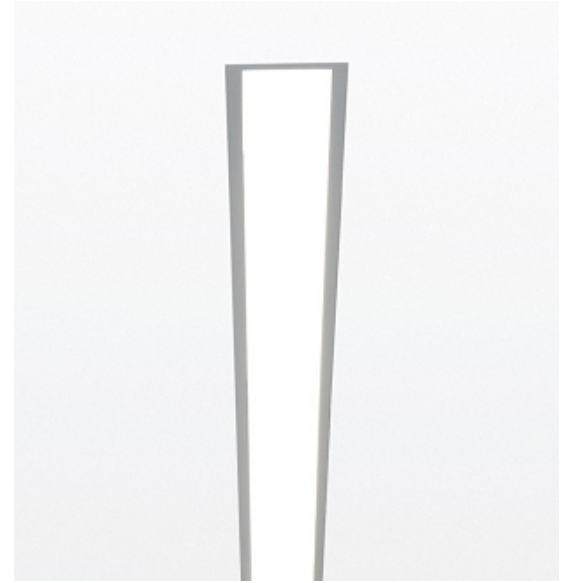


Transforming light into an element of design

TRUGROOVE STANDALONE DEFINITION LED



DIRECT DEFINITION, REGRESSED SILK LENS
1500 lm/4ft, Regress Silk
3000K

Project:

Spec Type:

Catalog No: 39S0LCKM

Qty

Line Notes:



ACTILUME



Ordering guide

Product Type	Source	Color Temp *	Lumens *	Optics	Housing	Ceiling / Trim	Run Length	Wiring †	Voltage	Driver
<input type="text" value="39S0"/>	<input type="text" value="L"/>	<input type="text" value="C"/>	<input type="text" value="K"/>	<input type="text" value="M"/>	<input type="text" value="S"/>	<input type="text"/>	<input type="text"/>	<input type="text"/>	<input type="text"/>	<input type="text"/>
TruGroove Definition LED	L LED	A 4000K B 3500K C 3000K	E 3000 lm/4ft G 2200 lm/4ft K 1500 lm/4ft	L Flush Silk Lens M Regressed Silk Lens	S Standard C Chicago Plenum	1 T-Grid 3 Drywall Trimless 4 Drywall Trim 5 Armstrong Formations	02 2' 22 2x2' 04 4' 06 6' 08 8' 06 6' 08 8' 10 10' (6' + 4' unit)	7 1 cct Dimming M 1 cct Dimming + EM Wiring N 1 cct Dimming + EM Batt. Pack 1 1 cct 3 1 cct + EM/NL Wiring 5 1 cct + EM Batt. Pack B 2 cct A/B	1 120V 2 277V 3 347V	E Philips Advance 0-10V <i>Other drivers available - consult your Philips representative</i>

* Nominal values within a range. Consult photometry data for exact color temp, lumens & distribution.

† Not all wiring types are available with all configurations. Consult Philips Ledalite for a complete list of available options.

Mounting Hardware

Mount Type

Consult separate mounting spec sheet for mount type options

Integrated Controls Please indicate with check mark.

Response Daylight Single Zone (DS)

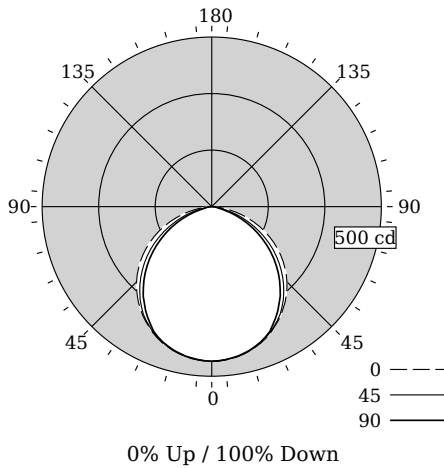
SpaceWise DT Occupancy & Daylight Sensor (SZ)



TRUGROOVE STANDALONE DEFINITION LED

DIRECT DEFINITION, REGRESSED SILK LENS

Photometry



Total Output	1220 lm
Efficacy	64.6 lm/W
CCT	3081K
CRI	82
Distribution	0% Up / 100% Down
Spacing Criteria (0/90/180°)	1.27/1.23/NA
Meets RP-1-12 recommendations for VDT-Critical spaces	

Values per 4ft unit

Fixture photometry has been conducted in accordance with IESNA LM-79-08

IES files for this and other photometric options can be downloaded online at www.lightingproducts.philips.com

Candela Distribution

Vertical Angle	Horizontal Angle				Zonal Lumens
	0	22.5	45	67.5	
0	456	456	456	456	0
5	454	453	453	454	43
15	439	435	439	439	124
25	410	407	408	407	187
35	367	363	361	351	224
45	314	309	296	284	228
55	248	240	221	205	198
65	172	159	137	121	139
75	91	76	56	41	64
85	18	10	8	8	12
90	0	0	0	0	0
95	0	0	0	0	0
105	0	0	0	0	0
115	0	0	0	0	0
125	0	0	0	0	0
135	0	0	0	0	0
145	0	0	0	0	0
155	0	0	0	0	0
165	0	0	0	0	0
175	0	0	0	0	0
180	0	0	0	0	0

Coefficients of Utilization (%)

RCR	Ceiling		80				70				50				30				10			
	Wall	70	50	30	10	70	50	30	10	50	30	10	50	30	10	50	30	10	0			
0	119	119	119	119	116	116	116	111	111	111	111	111	111	111	111	111	111	111	100			
1	109	105	101	97	107	103	99	98	95	93	85	85	85	85	85	85	85	85	85			
2	100	92	85	80	97	90	84	87	82	77	72	72	72	72	72	72	72	72	72			
3	91	81	73	67	89	79	72	77	70	65	61	61	61	61	61	61	61	61	61			
4	84	72	63	57	81	71	63	68	61	56	52	52	52	52	52	52	52	52	52			
5	77	64	56	49	75	63	55	61	54	48	45	45	45	45	45	45	45	45	45			
6	71	58	49	43	69	57	49	55	48	42	40	40	40	40	40	40	40	40	40			
7	66	53	44	38	64	52	44	50	43	38	35	35	35	35	35	35	35	35	35			
8	61	48	40	34	60	47	39	46	39	34	31	31	31	31	31	31	31	31	31			
9	57	44	36	31	56	44	36	42	35	30	28	28	28	28	28	28	28	28	28			
10	54	41	33	28	53	40	33	39	32	27	26	26	26	26	26	26	26	26	26			

Avg. Luminance (cd/m2)

Vertical Angle	Horizontal Angle		
	0	45	90
55	4748	4228	3802
65	4480	3574	2995
75	3863	2384	1521
85	2319	976	976

Electrical Specifications

Input Voltage	120V	277V
Input Power	18.9W	19.3W
Input Current	0.16A	0.09A
Power Factor	0.971	0.787
Total Harm. Distortion	20.3%	18.5%
Tested values – contact technical support for rated values. Off-state power zero unless certain controls are specified.		
With SpaceWise DT, standby power <0.5W (120V) or <0.8W (277V).		

TRUGROOVE STANDALONE DEFINITION LED

Modules & Runs

TruGroove Standalone LED nominal housing lengths

2ft, 4ft, 6ft, 8ft

Standalone Modules T-Grid & Drywall



2 ft



4 ft



6 ft



8 ft

Regress lens versions can only be installed in the ceiling (not in wall).

Refer to module size details below for actual dimensions e.g. trim. T-grid units fit within a standard 2' grid. To specify continuous runs, refer to TruGroove Continuous data sheets.

Armstrong® Formations™



6 ft



8 ft

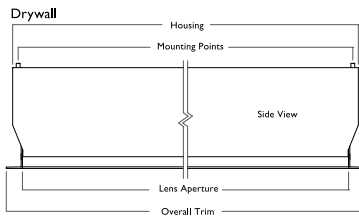
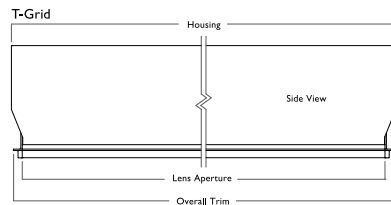


10 ft

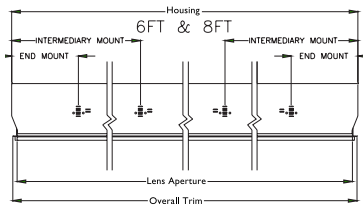


Module Dimensions

Standalone Recessed



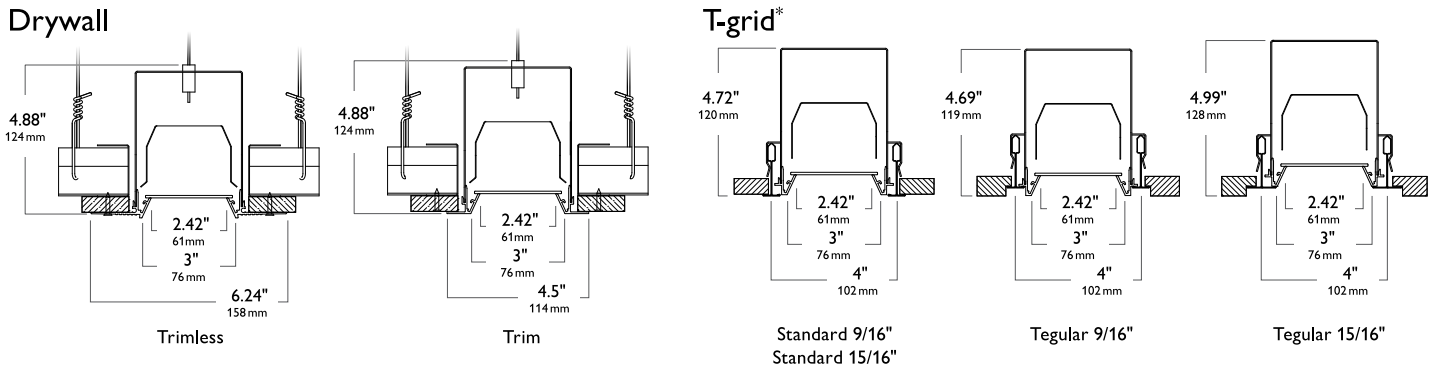
Armstrong Formations



Nominal Lengths	Housing	Lens	Mounting Points	T-Grid	Drywall Trimless	Drywall Trim
2ft	23.9"/607mm	23.0"/584mm	23.4"/584mm	23.75"/603mm	26.35"/669mm	24.5"/622mm
4ft	47.9"/1217mm	47.0"/1194mm	47.4"/1204mm	47.75"/1213mm	50.35"/1279mm	48.5"/1232mm
6ft	71.9"/1826mm	71.0"/1803mm	71.4"/1814mm	71.75"/1822mm	74.35"/1888mm	72.5"/1841mm
8ft	95.9"/2436mm	95.0"/2413mm	95.4"/2423mm	95.75"/2432mm	98.35"/2498mm	96.5"/2451mm

Nominal Lengths	Housing	Lens	Mount Points from End/Join	Intermediary Mount from End/Join	Overall Trim
6ft	71.79"/1823mm	70.88"/1800mm	5.49"/139.5mm	29.49"/749mm	71.63"/1819mm
8ft	95.79"/2433mm	94.88"/2410mm	5.49"/139.5mm	29.49"/749mm	95.63"/2429mm
10ft	119.81"/3043mm	118.84"/3018mm	5.49"/139.5mm	29.49"/749mm	119.58"/3037mm

Options and Details



* Compatible with TechZone® 4" Ceiling Grid and Armstrong Formations

Trim Views

Regressed lens



Drywall Trimless



Drywall Trim



T-grid

Housing

Die-formed 20 gauge cold-rolled steel. Multiple upper wire entrances available for continuous row mounting of fixtures.

Weight

Maximum 3.5lb/ft.

Optical System

Performance version: White light emitted from the LED sources is internally reflected and laterally redirected by a biconvex lens. Light is then reflected by Miro Silver panels and exits through the optical lens assembly. This assembly contains acrylic extrusion profiles to retain a layer of MesoOptics film, creating both an uninterrupted continuum of light and an optical batwing distribution.

Definition version: Light passes through a diffuse white acrylic lens to deliver a highly uniform luminous continuum.

Standard Driver

Dimming: 0-10V, 5-100%. Philips Advance Xitanium Sensor Ready (SR), 5-100% (for SpaceWise). Output is Class 2 rated.

Lumen Maintenance

At an ambient temperature of 25°C in non-insulated contact applications, the LED lumen maintenance expectation for each lumen package is:

K: L₉₀ (12k) 71,000 hrs

G: L₉₀ (12k) 68,000 hrs

E: L₉₀ (12k) 54,000 hrs

Controls

Available with SpaceWise DT occupancy & daylight sensor w/ advanced grouping & dwell time.

* SpaceWise DT commissioning is via a compatible Android phone and Philips Field App. Compatible wireless dimming wall switches are available for dimming. For more information, please refer to www.philips.com/spacewise

Mounting

Mounting brackets on housing sides support T-Grid installation. 1/16" diameter aircraft cable with self-locking, tamper-resistant, miniature cable gripper provides vertical adjustment. Aircraft cable, crimp and gripper independently tested to meet stringent safety requirements.

Compatible with 4" Armstrong TechZone ceiling grid.

Joints

Self-aligning joining system with hands-free pre-joining wire access.

Electrical

Factory pre-wired to section ends with quick-wire connectors.

Approvals

Certified to UL, CSA and IES standards. Insulation Contact (IC) rated.

Finish

Extruded aluminum trim and die-cast endplates coated with electrostatically applied and thermally cured polyester. White sensors only: powder coat paint finish.

Environment

Rated for dry or damp locations in operating ambient temperatures 0-40°C (32-104°F). Certain luminaire components may be adversely affected by contaminants. Damage caused by sulfur, chlorine, petroleum based solutions or other contaminants are not covered under warranty.

Due to continuing product improvements, Philips Ledalite reserves the right to change the specifications without notice.



© 2014 Koninklijke Philips N.V. All rights reserved.
Specifications are subject to change without notice.
www.philips.com/luminaires

TruGrvStndDefn_30K15lm_M 08.17 page 4 of 4

Philips Lighting
North America Corporation
200 Franklin Square Drive
Somerset, NJ 08873
Phone: 855-486-2216