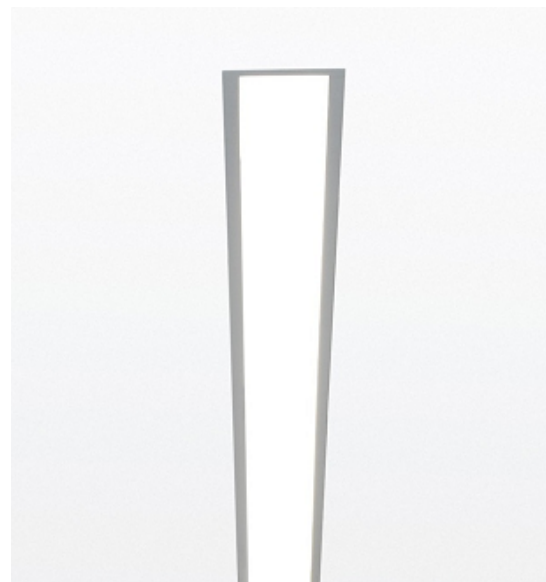


Transforming light into an element of design

TRUGROOVE STANDALONE ASYMMETRIC LED



DIRECT ASYMMETRIC, FLUSH MESOOPTICS LENS
3000 lm/4ft, Flush Asym
4000K

Project:

Spec Type:

Catalog No: 39S8LAEQ

Qty

Line Notes:



Ordering guide

Product Type	Source	Color Temp *	Lumens *	Optics	Housing	Ceiling / Trim	Run Length	Wiring †	Voltage	Driver
<input type="text" value="39S8"/>	<input type="text" value="L"/>	<input type="text" value="A"/>	<input type="text" value="E"/>	<input type="text" value="Q"/>	<input type="text" value="S"/>	<input type="text"/>	<input type="text"/>	<input type="text"/>	<input type="text"/>	<input type="text"/>
TruGroove Asymmetric LED	L LED	A 4000K B 3500K C 3000K	E 3000 lm/4ft G 2200 lm/4ft K 1500 lm/4ft	Q Flush Meso Lens	S Standard C Chicago Plenum	1 T-Grid 3 Drywall Trimless 4 Drywall Trim	02 2' 22 2x2' 04 4' 06 6' 08 8'	7 1 cct Dimming M 1 cct Dimming + EM Wiring N 1 cct Dimming + EM Batt. Pack 1 1 cct 3 1 cct + EM/NL Wiring 5 1 cct + EM Batt. Pack B 2 cct A/B	1 120V 2 277V 3 347V	E Philips Advance 0-10V <i>Other drivers available - consult your Philips representative</i>

* Nominal values within a range. Consult photometry data for exact color temp, lumens & distribution.

† Not all wiring types are available with all configurations. Consult Philips Ledalite for a complete list of available options.

Mounting Hardware

Mount Type

Consult separate mounting spec sheet for mount type options

Integrated Controls Please indicate with check mark.

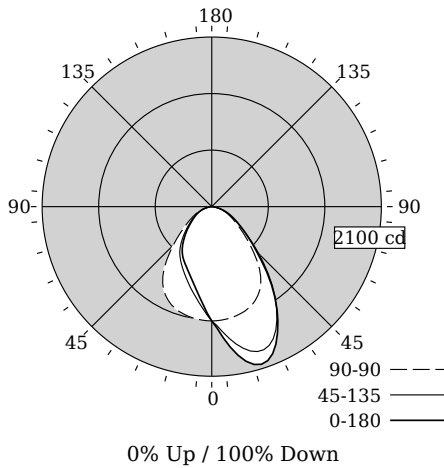
Response Daylight Single Zone (DS)



TRUGROOVE STANDALONE ASYMMETRIC LED

DIRECT ASYMMETRIC, FLUSH MESOOPTICS LENS

Photometry



Total Output	2990 lm
Efficacy	71.2 lm/W
CCT	4058K
CRI	84
Distribution	0% Up / 100% Down
Spacing Criteria (0/45/180°)	1.44/1.24/0.73
Meets RP-1-12 recommendations for VDT-Normal spaces	

Values per 4ft unit

Fixture photometry has been conducted in accordance with IESNA LM-79-08

IES files for this and other photometric options can be downloaded online at www.lightingproducts.philips.com

Candela Distribution

Vertical Angle	Horizontal Angle				Zonal Lumens
	0	45	90	180	
0	1416	1416	1416	1416	0
5	1630	1558	1410	1266	135
15	2023	1851	1372	1030	403
25	1879	1803	1278	849	601
35	1360	1370	1056	691	637
45	787	825	673	485	503
55	445	447	385	314	345
65	256	260	226	202	227
75	116	114	106	98	114
85	20	20	16	18	24
90	0	0	0	0	0
95	0	0	0	0	0
105	0	0	0	0	0
115	0	0	0	0	0
125	0	0	0	0	0
135	0	0	0	0	0
145	0	0	0	0	0
155	0	0	0	0	0
165	0	0	0	0	0
175	0	0	0	0	0
180	0	0	0	0	0

Coefficients of Utilization (%)

RCR	Ceiling/Wall											
	80			70			50			0		
	70	50	30	10	70	50	30	10	50	30	10	0
0	119	119	119	119	116	116	116	111	111	111	111	100
1	111	106	103	100	108	104	101	100	97	95	87	87
2	102	95	89	84	100	93	88	90	85	81	76	76
3	94	85	78	72	92	83	77	81	75	70	66	66
4	87	77	69	63	85	75	68	73	67	62	58	58
5	81	69	61	55	79	68	61	66	60	55	51	51
6	75	63	55	49	73	62	55	61	54	49	46	46
7	70	58	50	44	69	57	49	56	49	44	41	41
8	66	53	45	40	64	53	45	51	45	40	38	38
9	62	49	42	36	60	49	41	48	41	36	34	34
10	58	46	38	33	57	45	38	44	38	33	31	31

Avg. Luminance (cd/m2)

Vertical Angle	Horizontal Angle		
	0	90	180
55	8532	7384	5624
65	6647	5868	4985
75	4918	4494	4070
85	2518	2014	2266

LED lighting facts
A Program of the U.S. DOE

Philips Ledalite

Light Output (Lumens) **2990**
Watts **42**
Lumens per Watt (Efficacy) **71**

Color Accuracy
Color Rendering Index (CRI) **84**

Light Color
Correlated Color Temperature (CCT) **4058 (Bright White)**

Warm White | Bright White | Daylight
2700K | 3000K | 4500K | 6500K

All results are according to IESNA LM-79-08: Approved Method for the Electrical and Photometric Testing of Solid-State Lighting. The U.S. Department of Energy (DOE) verifies product test data and results.

Visit www.lightingfacts.com for the Label Reference Guide.

Registration Number: FA6Z-13CQCO (3/12/2014)
Model Number: 39xBLAEQxxD4
Type: Luminaire - Linear

Electrical Specifications

Input Voltage	120V	277V
Input Power	42.0W	41.6W
Input Current	0.35A	0.16A
Power Factor	0.988	0.918
Total Harm. Distortion	13.7%	18.5%
Tested values – contact technical support for rated values. Off-state power zero unless certain controls are specified.		

TRUGROOVE STANDALONE ASYMMETRIC LED

Modules & Runs

TruGroove Standalone LED nominal housing lengths

2ft, 4ft, 6ft, 8ft

Flush lens trimless versions can be installed in either the wall or ceiling.

Refer to module size details below for actual dimensions e.g. trim. T-grid units fit within a standard 2' grid. To specify continuous runs, refer to TruGroove Continuous data sheets.

Standalone Modules



2 ft



4 ft



6 ft

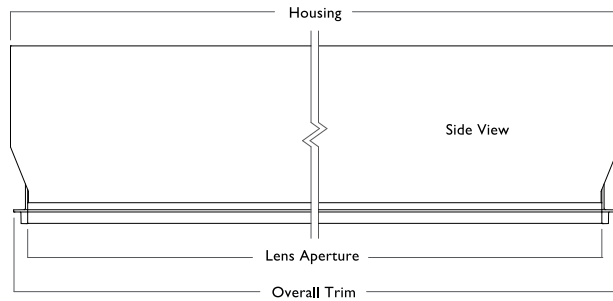


8 ft

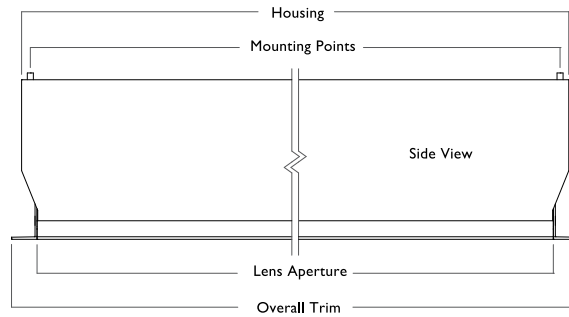
Module Dimensions

Standalone recessed

T-Grid



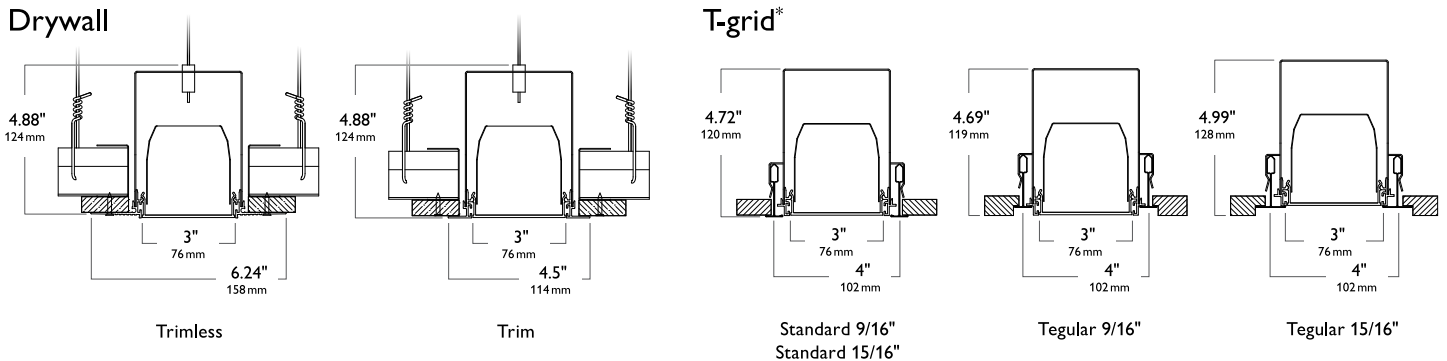
Drywall



Nominal length	Housing	Lens	Mounting points	Trim – T-Grid	Trim – Drywall Trimless	Trim – Drywall Trim
2ft	23.9"/607 mm	23.0"/584 mm	23.4"/584 mm	23.75"/603 mm	26.35"/669 mm	24.5"/622 mm
4ft	47.9"/1217 mm	47.0"/1194 mm	47.4"/1204 mm	47.75"/1213 mm	50.35"/1279 mm	48.5"/1232 mm
6ft	71.9"/1826 mm	71.0"/1803 mm	71.4"/1814 mm	71.75"/1822 mm	74.35"/1888 mm	72.5"/1841 mm
8ft	95.9"/2436 mm	95.0"/2413 mm	95.4"/2423 mm	95.75"/2432 mm	98.35"/2498 mm	96.5"/2451 mm

TRUGROOVE STANDALONE ASYMMETRIC LED

Options and Details



* Compatible with TechZone® 4" Ceiling Grid

Trim Views

Flush lens



Drywall Trimless



Drywall Trim



T-grid

Housing

Die-formed 20 gauge cold-rolled steel. Multiple upper wire entrances available for continuous row mounting of fixtures.

Weight

Maximum 3.5lb/ft.

Optical System

Performance version: White light emitted from the LED sources is internally reflected and laterally redirected by a biconvex lens. Light is then reflected by Miro Silver panels and exits through the optical lens assembly. This assembly contains acrylic extrusion profiles to retain a layer of MesoOptics film, creating both an uninterrupted continuum of light and an optical batwing distribution.

Definition version: Light passes through a diffuse white acrylic lens to deliver a highly uniform luminous continuum.

Standard Driver

Dimming: 0-10V, 5-100%. Philips Advance Xitanium Sensor Ready (SR), 5-100% (for SpaceWise). Output is Class 2 rated.

Lumen Maintenance

At an ambient temperature of 25°C in non-insulated contact applications, the LED lumen maintenance expectation for each lumen package is:

K: L₉₀ (12k) 71,000 hrs

G: L₉₀ (12k) 68,000 hrs

E: L₉₀ (12k) 54,000 hrs

Controls

Available with SpaceWise DT occupancy & daylight sensor w/ advanced grouping & dwell time.

* SpaceWise DT commissioning is via a compatible Android phone and Philips Field App. Compatible wireless dimming wall switches are available for dimming. For more information, please refer to www.philips.com/spacewise

Mounting

Mounting brackets on housing sides support T-Grid installation. 1/16" diameter aircraft cable with self-locking, tamper-resistant, miniature cable gripper provides vertical adjustment. Aircraft cable, crimp and gripper independently tested to meet stringent safety requirements. Compatible with 4" Armstrong TechZone ceiling grid.

Joints

Self-aligning joining system with hands-free pre-joining wire access.

Electrical

Factory pre-wired to section ends with quick-wire connectors.

Approvals

Certified to UL, CSA and IES standards. Insulation Contact (IC) rated.

Finish

Extruded aluminum trim and die-cast endplates coated with electrostatically applied and thermally cured polyester. White sensors only: powder coat paint finish.

Environment

Rated for dry or damp locations in operating ambient temperatures 0-40°C (32-104°F). Certain luminaire components may be adversely affected by contaminants. Damage caused by sulfur, chlorine, petroleum based solutions or other contaminants are not covered under warranty.

Due to continuing product improvements, Philips Ledalite reserves the right to change the specifications without notice.



© 2014 Koninklijke Philips N.V. All rights reserved.
Specifications are subject to change without notice.
www.philips.com/luminaires

TruGrvStdAsy_40K30lm_Q 08.17 page 4 of 4

Philips Lighting
North America Corporation
200 Franklin Square Drive
Somerset, NJ 08873
Phone: 855-486-2216