



Linear

TruGroove
recessed micro

performance asymmetric
1500 lm/4ft, 3000/3500/4000K



Project: _____
Spec Type: _____
Catalog No: 2308LxKQ _____
Qty _____
Line Notes: _____

TruGroove recessed micro delivers the perfect combination of slender aesthetic and lighting control, creating luminous environments with exceptional uniformity and wide row spacing from a 1.75" aperture continuous line-of light. An extended family and refined design are perfect for lighting any professional space.

Ordering guide

Product Type	Source	Color Temp *	Lumens *	Optics	Housing	Ceiling / Trim	Run Length ≈	Wiring †	Voltage	Driver
2308	L		K	Q	S					
TruGroove recessed micro asymmetric	L LED	A CR180 / 4000K B CR180 / 3500K C CR180 / 3000K S CR190 / 3500K	E 3100 lm/4ft G 2200 lm/4ft K 1500 lm/4ft M1000 lm/4ft	Q Flush Meso Lens	S Standard C Chicago Plenum	1 T-Grid 3 Drywall Trimless 4 Drywall Trim	03 3' 04 4' 05 5' 06 6' 08 8' XX Specify Run Length	7 1cct Dimming M 1cct Dimming + EM Wiring N 1cct Dimming + EM Batt. Pack	1 120V 2 277V 3 347V	E Philips Advance 0-10V (1% dim) <i>Other drivers available - consult your Philips representative</i>

* Nominal values within a range. Consult photometry data for CRI, color temp, lumens & distribution of chosen configuration.
† Not all wiring types are available with all configurations. Consult Philips Ledalite for a complete list of available options.
≈ Available in continuous run lengths from 6ft in steps as small as 1/8in for 1000lm/4ft, 1500lm/4ft & 2200lm/4ft symmetric (performance) configurations.
≈ All 3100lm/4ft and asymmetric configurations can be specified in 1ft steps. 2ft standalone modules are not available in asymmetric.

Ceiling Trims



T-Grid



Drywall Trimless



Drywall Trim

TruGroove recessed micro asymmetric

performance asymmetric

1500 lm/4ft, 3000/3500/4000K

Optical System

White light emitted from the LED sources is redirected by a precisely formed reflector and exits through the optical lens assembly. This assembly contains an acrylic extrusion profile retaining a layer of MesoOptic film, creating both an uninterrupted continuum of light and an optical batwing or asymmetric distribution from a 1.75" flush aperture.

Finish

Extruded aluminum trim and die-cast endplates coated with electrostatically applied and thermally cured polyester. Powder coat paint finish. White sensors only.

Housing

Die-formed 20 gauge cold-rolled steel. Multiple upper wire entrances available for continuous row mounting of fixtures.

Weight

Maximum 2.8lb/ft.

Electrical

Factory pre-wired to section ends with quick-wire connectors.

QuickShip

Upon request, TruGroove recessed micro can be made-to-order and shipped in 10-working days from receipt of order.

Some configurations excluded. Limit of 500' linear feet per order.

QuickShip details are available in the links below:

[QuickShip ColorCoded Guide](#)

[QuickShip Order Guide](#)

Standard Drivers

Philips Advance Xitanium 0-10V, 1-100%.
Philips Advance Xitanium SR, 5-100% (SpaceWise DT).
Class 2 rated output. Consult Philips Ledalite for other available drivers.

Standard Battery Pack

Philips Bodine, 90 min, 10W, Class 2 rated output,
Emergency lumen output = 10W x luminaire efficacy x 1.1.
Typical output: 1100lm.

Lumen Maintenance

LEDs have been tested by the manufacturer in accordance with IESNA LM-80-08. At an ambient temperature of 25°C in non-insulation contact applications the LED lumen maintenance expectation according to IES TM-21-11-A is:

CRI>80:

L90 (10k) >60,000 hrs (Reported methodology)

L80 (10k) 128,000 hrs (Calculated methodology).

CRI>90:

L90 (10k) 59,000 hrs (Reported methodology)

L80 (10k) 118,000 hrs (Calculated methodology).

Source Color

LEDs rated for color rendering CRI >80, R9 >0 and fixture to fixture color accuracy within 2 SDCM. Available 90 CRI option is rated for CRI >90, and R9 >60.

Controls

Certain configurations available with:

Response Daylight Sensors

SpaceWise DT Occupancy & Daylight Sensors w/ advanced grouping & Dwell Time.

*SpaceWise DT commissioning is via a compatible Android phone and Philips Field App. Compatible wireless dimming wall switches are available for dimming. For more information, please refer to

www.philips.com/spacewis

Mounting

Mounting brackets on housing sides support T-Grid installation. 1/16" diameter aircraft cable with self-locking, tamper-resistant, miniature cable gripper provides vertical adjustment for drywall. Aircraft cable, crimp and gripper independently tested to meet stringent safety requirements.

Joints

Self-aligning joining system with hands-free pre-joining wire access.

Approvals

Certified to UL, CSA and IES standards. Insulation Contact (IC) rated.

Consult factory for DLC eligible configurations

Warranty

Five-year luminaire limited warranty including LED boards and driver.

[USA: Warranty Support](#)

[Canada: Warranty Support](#)

Environment

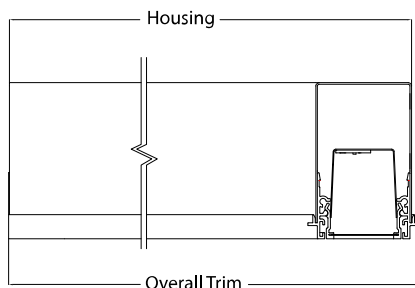
Rated for operation in dry and damp locations in ambient temperatures of 25°C. Many luminaire components, such as reflectors, refractors, lenses, and LEDs are made from materials which can be adversely affected by airborne contaminants. If sulfur based chemicals, petroleum based products, cleaning solutions, or other contaminants are expected in the intended area of use, consult factory for compatibility. Damage caused by sulfur, chlorine, petroleum based solution or other contaminants are not covered under warranty

Due to continuing product improvements, Philips Ledalite reserves the right to change the specifications without notice.

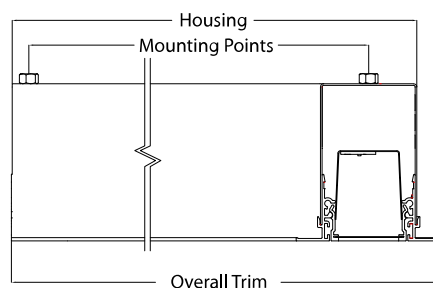
Corner details and dimensions

Flat 90° Lit Corner Units (Side Views)

T-Grid



Drywall



Nominal Length	Housing	Lens	Mounting Points	Trim - T-Grid	Trim - Drywall Trimless	Trim - Drywall Trim
2x2ft Flat	25.1"/637mm	N/A	23.6"/600mm	25.3"/642mm	26.5"/673mm	25.6"/651mm

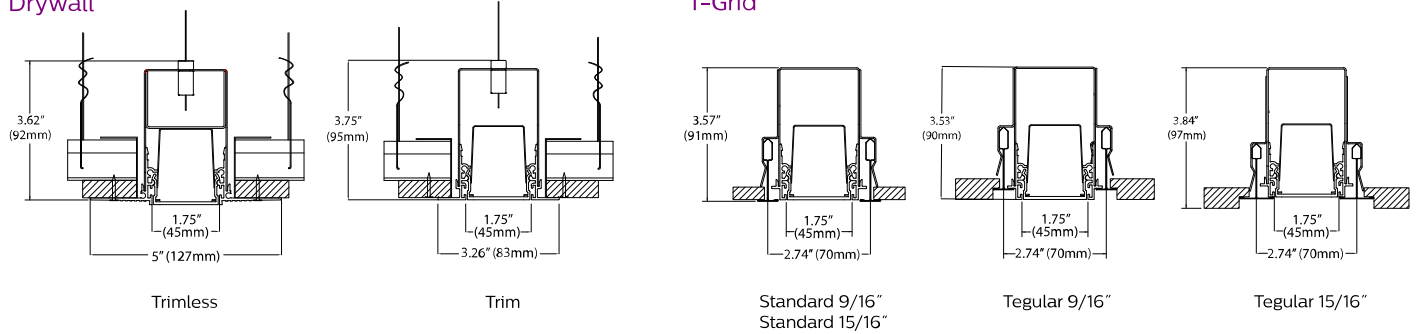
TruGroove recessed micro asymmetric

performance asymmetric

1500 lm/4ft, 3000/3500/4000K

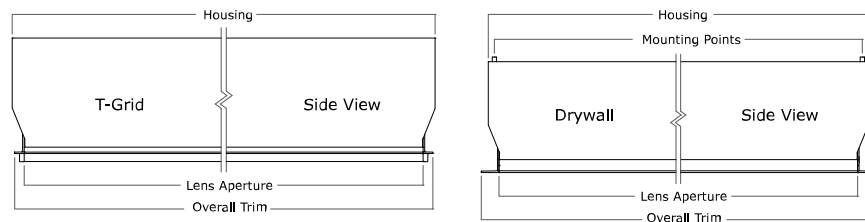
Ceiling Types

Drywall

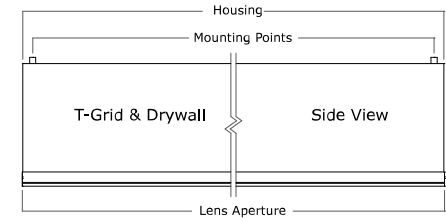


Module Details & Dimensions

Standalone



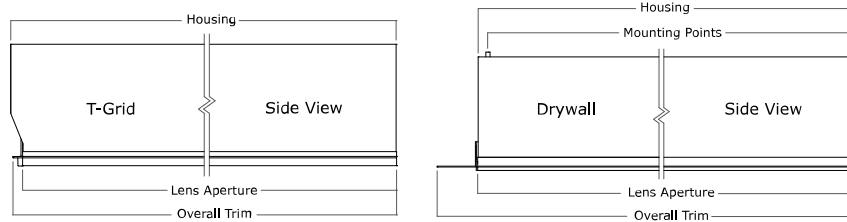
Mid-Run



Standalone						
Nominal	Housing	Lens	Mounting Points	Trim - T-Grid	Trim - Drywall Trimless	Trim - Drywall Trim
2ft	23.9\"/>					

Mid-Run		
Nominal	Housing & Lens	Mounting Points
2ft	24.0\"/>	

End-Run



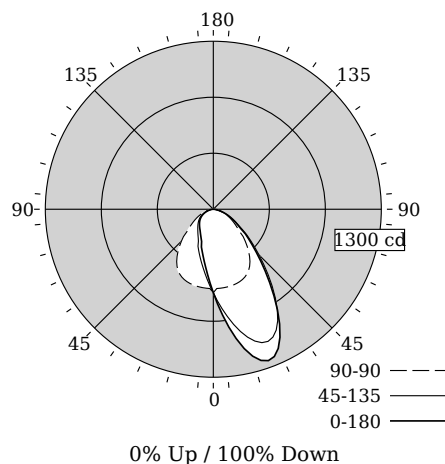
End-Run						
Nominal	Housing	Lens	Mounting Points	Trim - T-Grid	Trim - Drywall Trimless	Trim - Drywall Trim
2ft	24.0\"/>					

TruGroove recessed micro asymmetric

performance asymmetric

1500 lm/4ft, 3000/3500/4000K

Photometry @ CRI>80, 3500K



Candela Distribution

Vertical Angle	Horizontal Angle					Zonal Lumens
	0	45	90	135	180	
0	646	646	646	646	646	0
5	822	772	614	545	508	63
15	1177	1025	606	390	335	197
25	1189	1091	578	273	229	303
35	818	836	494	209	183	316
45	470	501	349	168	151	256
55	256	276	208	133	120	182
65	145	146	126	93	82	118
75	62	61	59	47	41	58
85	12	11	12	13	11	14
90	0	0	0	0	0	0
95	0	0	0	0	0	0
105	0	0	0	0	0	0
115	0	0	0	0	0	0
125	0	0	0	0	0	0
135	0	0	0	0	0	0
145	0	0	0	0	0	0
155	0	0	0	0	0	0
165	0	0	0	0	0	0
175	0	0	0	0	0	0
180	0	0	0	0	0	0

Values per 4ft unit

Fixture photometry has been conducted in accordance with IESNA LM-79-08

IES files for this and other photometric options can be downloaded online at www.lightingproducts.philips.com

Coefficients of Utilization (%)

RCR	Ceiling		80		70		50		10		0
	70	50	30	10	70	50	30	10	10	0	
0	119	119	119	119	116	116	116	111	111	111	100
1	110	106	103	99	108	104	101	100	97	95	87
2	102	95	89	84	99	93	87	89	85	81	75
3	94	85	77	72	92	83	76	80	74	70	65
4	87	76	68	62	85	75	67	72	66	61	57
5	80	69	61	55	78	68	60	66	59	54	51
6	75	63	54	49	73	62	54	60	53	48	45
7	70	57	49	44	68	56	49	55	48	43	41
8	65	53	45	39	64	52	44	51	44	39	37
9	61	49	41	36	60	48	41	47	40	35	33
10	57	45	38	33	56	45	37	44	37	32	31

Avg. Luminance (cd/m2)

Vertical Angle	Horizontal Angle		
	0	90	180
55	8015	6518	3756
65	6140	5343	3492
75	4262	4076	2835
85	2463	2548	2240

Distribution

Hemisphere	0% Up / 100% Down
Glare Control	Meets RP-1-12 recommendations for VDT-Critical spaces
Spacing Along (0°)	1.6
Spacing Across (90°)	1.25
Spacing at 180°	0.49

Philips Ledalite

LED lighting facts
A Program of the U.S. DOE

Light Output (Lumens) **1508**

Watts **14.8**

Lumens per Watt (Efficacy) **101.8**

Color Accuracy **82**

Color Rendering Index (CRI)

Light Color **3500 (Bright White)**

Correlated Color Temperature (CCT)

2700K 3000K 4500K 6500K

All results are according to IESNA LM-79-2008: Approved Method for the Electrical and Photometric Testing of Solid-State Lighting. The U.S. Department of Energy (DOE) verifies product test data and results.

Visit www.lightingfacts.com for the Label Reference Guide.

Registration Number: F46Z-XZK4H3 (11/23/2018)
Model Number: 23x8LBKQxx04
Type: Luminaire - Linear

TruGroove recessed micro asymmetric

performance asymmetric

1500 lm/4ft, 3000/3500/4000K

Optical Performance @ 120V

Nominal Spec:	830	835	840	935
Flux (lm)	1456	1508	1520	1502
Efficacy (lm/W)	97.7	101.9	103.4	87.8
Power (W)	14.9	14.8	14.7	17.1
CCT (K)	3071	3490	4027	3523
CRI	84	82	84	94
R9	16	11	16	71
x	0.4308	0.4061	0.3798	0.4035
y	0.3998	0.3917	0.3782	0.3887
Duv	0.0009	0.0002	0.0009	0.0005

Electrical Performance @ CRI>80, 3500K

Input Voltage	120V	277V	347V
Input Power	14.8W	15.0W	15.2W
Input Current	0.12A	0.06A	0.05A
Power Factor	0.991	0.942	0.954
Total Harm. Distortion	11.4%	17.8%	13.1%

Tested values – contact technical support for rated values. Off-state power zero unless certain controls are specified.

