

Linear

TruGroove recessed

Regressed Silk Lens
3000 lm/4ft, 3000/3500/4000K



Project: _____
Spec Type: _____
Catalog No: 3900LxEM
Qty _____
Line Notes: _____

TruGroove recessed delivers unrivaled performance and a truly innovative design – making a definitive statement in any architectural space. TruGroove recessed corners provide endless opportunities for creative freedom with geometric patterns in walls and ceilings.

Ordering guide

| Product Type | Source | Color Temp * | Lumens * | Optics | Housing | Ceiling / Trim | Run Length ≈ | Wiring † | Voltage | Driver |
|-------------------------------|--------|-------------------------------|--|--|--------------------------------|--|---|---|----------------------------|--|
| 3900 | L | | E | M | S | | | | | |
| TruGroove recessed definition | L LED | A 4000K B 3500K C 3000K | D 4000 lm/4ft E 3000 lm/4ft G 2200 lm/4ft K 1500 lm/4ft | L Flush Silk Lens M Regressed Silk Lens | S Standard C Chicago Plenum | 1 T-Grid 3 Drywall Trimless 4 Drywall Trim 5 Armstrong Formations | 02 2' 03 3' 04 4' 05 5' 06 6' 08 8' 06 6' 08 8' 10 10' (6' + 4' unit) | 7 1 cct Dimming E 2 cct A/B Dimming (Alt. 4ft) M 1 cct Dimming + EM Wiring N 1 cct Dimming + EM Batt. Pack | 1 120V 2 277V 3 347V | E Philips Advance 0-10V (1% dim) <i>Other drivers available - consult your Philips representative</i> |

* Nominal values within a range. Consult photometry data for CRI, color temp, lumens & distribution of chosen configuration.

† Not all wiring types are available with all configurations. Consult Philips Ledalite for a complete list of available options.

≈ Available in continuous run lengths from 6ft in steps as small as 1/8in for 1500lm/4ft & 2200lm/4ft symmetric configurations.

≈ All 3000lm/4ft, 4000lm/4ft and asymmetric configurations can be specified in 1ft steps.

Ceiling Trims



T-Grid



Drywall Trimless



Drywall Trim

Integrated Controls

Please indicate with check mark.

Response Daylight Single Zone (DS)



TruGroove recessed definition

Regressed Silk Lens

3000 lm/4ft, 3000/3500/4000K

Optical System

Performance version: White light emitted from the LED sources is internally reflected and exits through the optical lens assembly. This assembly contains acrylic extrusion profiles to retain a layer of MesoOptics film, creating both an uninterrupted continuum of light and an optical batwing distribution.

Definition version: Light passes through a diffuse white acrylic lens to deliver a highly uniform luminous continuum.

Finish

Extruded aluminum trim and die-cast endplates coated with electrostatically applied and thermally cured polyester. Powder coat paint finish. White sensors only.

Housing

Die-formed 20 gauge cold-rolled steel. Multiple upper wire entrances available for continuous row mounting of fixtures.

Weight

Maximum 3.5lb/ft.

Electrical

Factory pre-wired to section ends with quick-wire connectors.

Wall Options

Wall mounted luminaires are only available with the Drywall Trimless ceiling / trim option. A continuous ceiling to wall pattern with an inside corner can use a different ceiling / trim option on the ceiling if required. Regressed lens and 4000 lm/4ft configurations are not available for wall mounting.

Standard Drivers

Philips Advance Xitanium 0-10V, 1-100%.
Philips Advance Xitanium Sensor Ready, 5-100%.
Class 2 rated output. Consult Philips Ledalite for other available drivers.

Standard Battery Pack

Philips Bodine, 90 min, 10W, Class 2 rated output, Emergency lumen output = 10W x luminaire efficacy x 1.1. Typical output: 1100lm.

Lumen Maintenance

LEDs have been tested by the manufacturer in accordance with IESNA LM-80-08. At an ambient temperature of 25°C in non-insulated contact applications the LED lumen maintenance expectation according to IES TM-21-11 is:
L90 (10k) >60,000 hrs (**Reported** methodology)
L80 (10k) 120,000 hrs (**Calculated** methodology).

Source Color

LEDs rated for color rendering CRI >80, R9 >0 and fixture to fixture color accuracy within 2 SDCM.

Controls

Certain configurations available with:
Response Daylight Sensors
SpaceWise DT Occupancy & Daylight Sensors w/ advanced grouping & Dwell Time.

*SpaceWise DT commissioning is via a compatible Android phone and Philips Field App. Compatible wireless dimming wall switches are available for dimming. 347V is not available as a standard option. For more information, please refer to www.philips.com/spacewisecorner

Mounting

Mounting brackets on housing sides support T-Grid installation. 1/16" diameter aircraft cable with self-locking, tamper-resistant, miniature cable gripper provides vertical adjustment for drywall. Aircraft cable, crimp and gripper independently tested to meet stringent safety requirements. Compatible with 4" Armstrong TechZone ceiling grid.

Joints

Self-aligning joining system with hands-free pre-joining wire access.

Approvals

Certified to UL, CSA and IES standards. Insulation Contact (IC) rated. Most symmetric, flush lens versions between 1500-3000lm/4ft in 3500K and 4000K are DesignLights Consortium® qualified. Please see the DLC QPL list for exact catalog numbers under DLC family code WWWBXQ (www.designlights.org/QPL).

Warranty

Five-year luminaire limited warranty including LED boards and driver.

USA: <http://www.usa.lighting.philips.com/support/support/warranty>

Canada: <http://www.lighting.philips.ca/support/support/warranty>

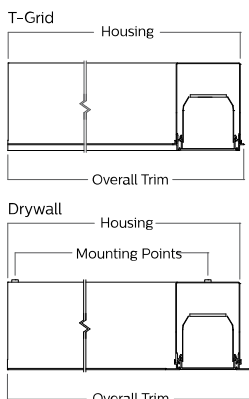
Environment

Rated for dry & damp locations in operating in ambient temperatures of 25°C. Many luminaire components, such as reflectors, refractors, lenses, and LEDs are made from various types of plastics which can be adversely affected by airborne contaminants. If sulfur based chemicals, petroleum based products, cleaning solutions, or other contaminants are expected in the intended area of use, consult factory for compatibility. Damage caused by sulfur, chlorine, petroleum based solution or other contaminants are not covered under warranty

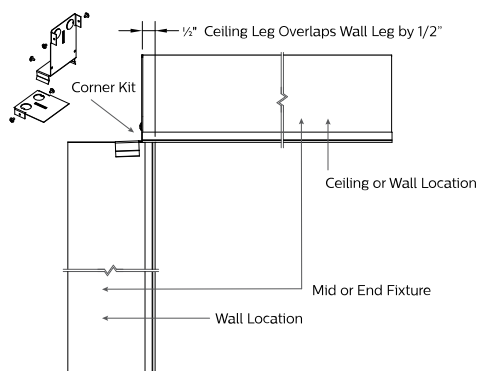
Due to continuing product improvements, Philips Ledalite reserves the right to change the specifications without notice.

Corner details and dimensions

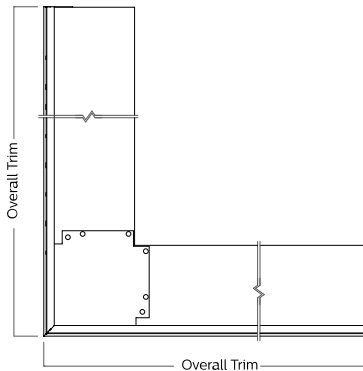
Flat 90° Lit Corner Units (Side Views)



Inside 90° Corner Kit (Side View)



Outside 90° Lit Corner Unit (Top View)



| Nominal Length | Housing | Lens | Mounting Points | Trim - T-Grid | Trim - Drywall Trimless | Trim - Drywall Trim |
|----------------|-------------|------|-----------------|---------------|-------------------------|---------------------|
| 2x2ft Flat | 25.7"/653mm | N/A | 23.6"/600mm | 25.9"/658mm | 27.1"/689mm | 26.3"/667mm |

| Nominal Length | Trim-Drywall Trimless |
|----------------|-----------------------|
| 2x2ft Outside | 26.8"/681mm |

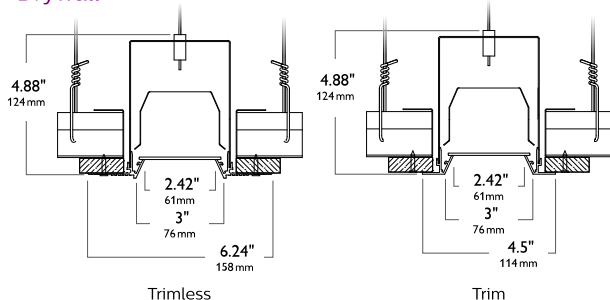
TruGroove recessed definition

Regressed Silk Lens

3000 lm/4ft, 3000/3500/4000K

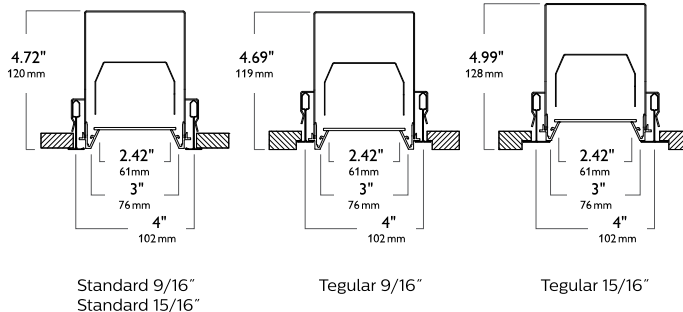
Ceiling Types

Drywall



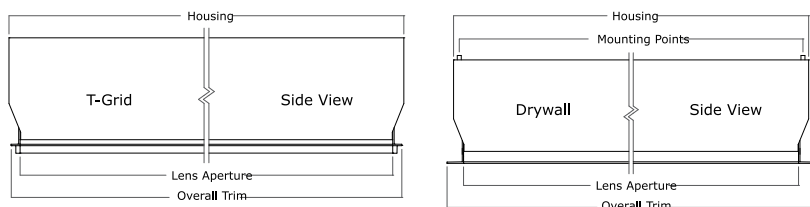
T-grid*

*Compatible with TechZone™ 4" Ceiling Grid

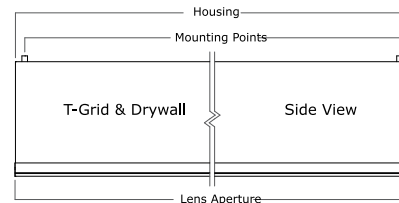


Module Details & Dimensions

Standalone



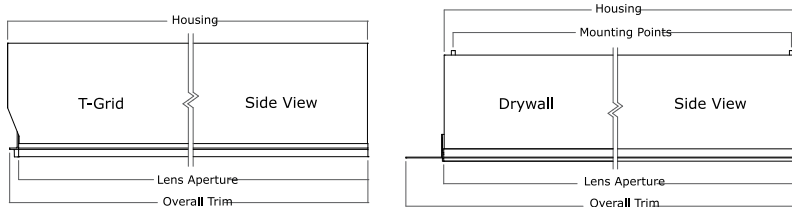
Mid-Run



| Standalone | | | | | | |
|------------|--------------|--------------|-----------------|---------------|-------------------------|---------------------|
| Nominal | Housing | Lens | Mounting Points | Trim - T-Grid | Trim - Drywall Trimless | Trim - Drywall Trim |
| 2ft | 23.9"/607mm | 23.0"/584mm | 23.4"/594mm | 23.8"/605mm | 26.4"/670mm | 24.5"/622mm |
| 3ft | 35.9"/912mm | 35.0"/889mm | 35.4"/899mm | 35.8"/909mm | 38.4"/975mm | 36.5"/927mm |
| 4ft | 47.9"/1217mm | 47.0"/1194mm | 47.4"/1204mm | 47.8"/1214mm | 50.4"/1280mm | 48.5"/1232mm |
| 5ft | 59.9"/1521mm | 59.0"/1499mm | 59.4"/1509mm | 59.8"/1519mm | 62.4"/1585mm | 60.5"/1537mm |
| 6ft | 71.9"/1826mm | 71.0"/1803mm | 71.4"/1814mm | 71.8"/1824mm | 74.4"/1889mm | 72.5"/1841mm |
| 8ft | 95.9"/2436mm | 95.0"/2413mm | 95.4"/2423mm | 95.8"/2433mm | 98.4"/2499mm | 96.5"/2451mm |

| Mid-Run | | |
|-------------|----------------|-----------------|
| Nominal | Housing & Lens | Mounting Points |
| 2ft | 24.0"/610mm | 23.2"/589mm |
| 3ft | 36.0"/914mm | 35.2"/894mm |
| 4ft | 48.0"/1219mm | 47.2"/1199mm |
| 5ft | 60.0"/1524mm | 59.2"/1504mm |
| 6ft | 72.0"/1829mm | 71.2"/1809mm |
| 8ft | 96.0"/2438mm | 95.2"/2418mm |
| Incremental | L | L-0.8" |

End-Run



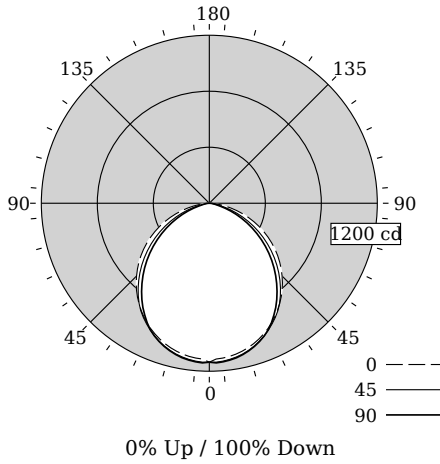
| End-Run | | | | | | |
|-------------|--------------|--------------|-----------------|---------------|-------------------------|---------------------|
| Nominal | Housing | Lens | Mounting Points | Trim - T-Grid | Trim - Drywall Trimless | Trim - Drywall Trim |
| 2ft | 24.0"/610mm | 23.5"/597mm | 23.2"/589mm | 23.9"/606mm | 25.7"/653mm | 24.8"/629mm |
| 3ft | 36.0"/914mm | 35.5"/901mm | 35.2"/894mm | 35.9"/910mm | 37.7"/957mm | 36.7"/933mm |
| 4ft | 48.0"/1219mm | 47.5"/1206mm | 47.2"/1199mm | 47.9"/1215mm | 49.7"/1262mm | 48.7"/1238mm |
| 5ft | 60.0"/1524mm | 59.5"/1511mm | 59.2"/1504mm | 59.9"/1520mm | 61.7"/1567mm | 60.7"/1543mm |
| 6ft | 72.0"/1829mm | 71.5"/1816mm | 71.2"/1809mm | 71.9"/1825mm | 73.7"/1872mm | 72.8"/1848mm |
| 8ft | 96.0"/2438mm | 95.5"/2425mm | 95.2"/2418mm | 95.8"/2434mm | 97.7"/2481mm | 96.7"/2457mm |
| Incremental | L | L-0.5" | L-0.8" | L-0.1" | L+1.7" | L+0.75" |

TruGroove recessed definition

Regressed Silk Lens

3000 lm/4ft, 3000/3500/4000K

Photometry @ CRI>80, 3500K



Candela Distribution

| Vertical Angle | Horizontal Angle | | | | Zonal Lumens |
|----------------|------------------|------|------|------|--------------|
| | 0 | 22.5 | 45 | 67.5 | |
| 0 | 1135 | 1135 | 1135 | 1135 | 0 |
| 5 | 1110 | 1124 | 1132 | 1139 | 107 |
| 15 | 1069 | 1080 | 1087 | 1093 | 306 |
| 25 | 989 | 997 | 999 | 1000 | 459 |
| 35 | 876 | 881 | 875 | 849 | 541 |
| 45 | 735 | 736 | 701 | 665 | 539 |
| 55 | 573 | 561 | 508 | 466 | 458 |
| 65 | 392 | 366 | 307 | 266 | 312 |
| 75 | 204 | 170 | 119 | 88 | 141 |
| 85 | 43 | 19 | 18 | 18 | 27 |
| 90 | 0 | 0 | 0 | 0 | 0 |
| 95 | 0 | 0 | 0 | 0 | 0 |
| 105 | 0 | 0 | 0 | 0 | 0 |
| 115 | 0 | 0 | 0 | 0 | 0 |
| 125 | 0 | 0 | 0 | 0 | 0 |
| 135 | 0 | 0 | 0 | 0 | 0 |
| 145 | 0 | 0 | 0 | 0 | 0 |
| 155 | 0 | 0 | 0 | 0 | 0 |
| 165 | 0 | 0 | 0 | 0 | 0 |
| 175 | 0 | 0 | 0 | 0 | 0 |
| 180 | 0 | 0 | 0 | 0 | 0 |

Values per 4ft unit

Fixture photometry has been conducted in accordance with IESNA LM-79-08

IES files for this and other photometric options can be downloaded online at www.lightingproducts.philips.com

Coefficients of Utilization (%)

| RCR | Ceiling | | 80 | | 70 | | 50 | | 10 | | 0 |
|-----|---------|-----|-----|-----|-----|-----|-----|-----|-----|-----|-----|
| | 70 | 50 | 30 | 10 | 70 | 50 | 30 | 50 | 10 | 0 | |
| 0 | 119 | 119 | 119 | 119 | 116 | 116 | 116 | 111 | 111 | 111 | 100 |
| 1 | 110 | 105 | 101 | 98 | 107 | 103 | 99 | 99 | 96 | 93 | 86 |
| 2 | 100 | 92 | 86 | 81 | 98 | 91 | 85 | 87 | 82 | 78 | 72 |
| 3 | 92 | 82 | 74 | 68 | 89 | 80 | 73 | 77 | 71 | 66 | 62 |
| 4 | 84 | 73 | 64 | 58 | 82 | 71 | 63 | 69 | 62 | 57 | 53 |
| 5 | 78 | 65 | 56 | 50 | 75 | 64 | 56 | 62 | 55 | 49 | 46 |
| 6 | 72 | 59 | 50 | 44 | 70 | 58 | 50 | 56 | 49 | 43 | 41 |
| 7 | 67 | 53 | 45 | 39 | 65 | 53 | 44 | 51 | 44 | 38 | 36 |
| 8 | 62 | 49 | 40 | 35 | 60 | 48 | 40 | 47 | 40 | 34 | 32 |
| 9 | 58 | 45 | 37 | 31 | 57 | 44 | 37 | 43 | 36 | 31 | 29 |
| 10 | 54 | 41 | 34 | 28 | 53 | 41 | 33 | 40 | 33 | 28 | 26 |

Avg. Luminance (cd/m2)

| Vertical Angle | Horizontal Angle | | |
|----------------|------------------|------|------|
| | 0 | 45 | 90 |
| 55 | 10758 | 9524 | 8517 |
| 65 | 9991 | 7826 | 6479 |
| 75 | 8476 | 4958 | 3302 |
| 85 | 5249 | 2202 | 2151 |

Distribution

| Hemisphere | 0% Up / 100% Down |
|----------------------|-------------------|
| Spacing Along (0°) | 1.23 |
| Spacing Across (90°) | 1.21 |

Philips Ledalite

LED lighting facts
A Program of the U.S. DOE

Light Output (Lumens) **2890**

Watts **29.7**

Lumens per Watt (Efficacy) **97.3**

Color Accuracy
Color Rendering Index (CRI) **82**

Light Color
Correlated Color Temperature (CCT) **3500 (Bright White)**

2700K 3000K **Bright White** 4500K Daylight 6500K

All results are according to IESNA LM-79-2008: Approved Method for the Electrical and Photometric Testing of Solid-State Lighting. The U.S. Department of Energy (DOE) verifies product test data and results.

Visit www.lightingfacts.com for the Label Reference Guide.

Registration Number: F46Z-K25BHB (10/31/2017)
Model Number: 39x0LBEMxx04
Type: Luminaire - Linear

TruGroove recessed definition

Regressed Silk Lens

3000 lm/4ft, 3000/3500/4000K

Optical Performance @ 120V

| Nominal Spec: | 830 | 835 | 840 |
|-----------------|--------|--------|--------|
| Flux (lm) | 2786 | 2890 | 2901 |
| Efficacy (lm/W) | 93.8 | 97.3 | 98.3 |
| Power (W) | 29.7 | 29.7 | 29.5 |
| CCT (K) | 3040 | 3437 | 3948 |
| CRI | 84 | 82 | 84 |
| R9 | 16 | 10 | 14 |
| x | 0.4334 | 0.4097 | 0.3836 |
| y | 0.4017 | 0.3945 | 0.3813 |
| Duv | 0.0006 | 0.0007 | 0.0013 |

Electrical Performance @ CRI>80, 3500K

| Input Voltage | 120V | 277V | 347V |
|------------------------|-------|-------|-------|
| Input Power | 29.7W | 29.6W | 29.7W |
| Input Current | 0.25A | 0.11A | 0.09A |
| Power Factor | 0.995 | 0.960 | 0.958 |
| Total Harm. Distortion | 7.3% | 10.4% | 11.0% |

Tested values – contact technical support for rated values. Off-state power zero unless certain controls are specified.

