

Transforming light into an element of design

TRUGROOVE CONTINUOUS DEFINITION LED

DIRECT DEFINITION, FLUSH SILK LENS
2200 lm/4ft, Flush Silk
3500K

Project:

Spec Type:

Catalog No: 39C0LBGL

Qty

Line Notes:



Ordering guide

Product Type	Source	Color Temp *	Lumens *	Optics	Housing	Ceiling / Trim	Run Length	Wiring †	Voltage	Driver
<input type="text" value="39C0"/>	<input type="text" value="L"/>	<input type="text" value="B"/>	<input type="text" value="G"/>	<input type="text" value="L"/>	<input type="text" value="S"/>	<input type="text"/>	<input type="text"/>	<input type="text"/>	<input type="text"/>	<input type="text"/>
TruGroove Definition LED	L LED	A 4000K B 3500K C 3000K	E 3000 lm/4ft G 2200 lm/4ft K 1500 lm/4ft	L Flush Silk Lens M Regressed Silk Lens	S Standard C Chicago Plenum	1 T-Grid 3 Drywall Trimless 4 Drywall Trim 5 Armstrong Formations	Total run length in feet and inches	7 1 cct Dimming M 1 cct Dimming + EM Wiring N 1 cct Dimming + EM Batt. Pack 1 1 cct 3 1 cct + EM/NL Wiring 5 1 cct + EM Batt. Pack B 2 cct A/B	1 120V 2 277V 3 347V	E Philips Advance 0-10V <i>Other drivers available - consult your Philips representative</i>

* Nominal values within a range. Consult photometry data for exact color temp, lumens & distribution.

† Not all wiring types are available with all configurations. Consult Philips Ledalite for a complete list of available options.

Mounting Hardware

Mount Type
Consult separate mounting spec sheet for mount type options

Integrated Controls Please indicate with check mark.

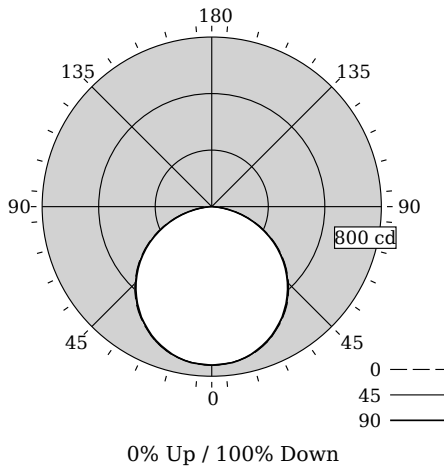
SpaceWise DT Occupancy & Daylight Sensor (SZ)



TRUGROOVE CONTINUOUS DEFINITION LED

DIRECT DEFINITION, FLUSH SILK LENS

Photometry



Total Output	2174 lm
Efficacy	78.5 lm/W
CCT	3491K
CRI	83
Distribution	0% Up / 100% Down
Spacing Criteria (0/90/180°)	1.27/1.26/NA
Meets RP-1-12 recommendations for VDT-Normal spaces	

Values per 4ft unit

Fixture photometry has been conducted in accordance with IESNA LM-79-08

IES files for this and other photometric options can be downloaded online at www.lightingproducts.philips.com

Candela Distribution

Vertical Angle	Horizontal Angle				Zonal Lumens
	0	22.5	45	67.5	
0	748	748	748	748	0
5	745	741	744	747	71
15	724	716	722	722	203
25	674	669	673	670	309
35	603	599	601	599	375
45	512	509	511	506	392
55	404	402	401	396	357
65	281	279	276	273	274
75	149	148	146	145	155
85	30	30	29	30	37
90	0	0	0	0	0
95	0	0	0	0	0
105	0	0	0	0	0
115	0	0	0	0	0
125	0	0	0	0	0
135	0	0	0	0	0
145	0	0	0	0	0
155	0	0	0	0	0
165	0	0	0	0	0
175	0	0	0	0	0
180	0	0	0	0	0

Coefficients of Utilization (%)

RCR	Ceiling: Wall											
	80				70				50			
	70	50	30	10	70	50	30	10	50	30	10	0
0	119	119	119	119	116	116	116	111	111	111	111	100
1	109	104	100	96	106	102	98	97	94	91	84	84
2	99	90	83	78	96	88	82	85	80	75	69	69
3	90	79	71	64	87	78	70	75	68	63	58	58
4	82	70	61	54	80	69	60	66	59	53	50	50
5	76	63	53	47	73	61	53	59	52	46	43	43
6	70	56	47	41	68	55	47	53	46	40	37	37
7	65	51	42	36	63	50	42	49	41	35	33	33
8	60	46	38	32	59	46	38	44	37	32	29	29
9	56	43	34	29	55	42	34	41	34	28	26	26
10	53	39	31	26	51	39	31	38	31	26	24	24

Avg. Luminance (cd/m²)

Vertical Angle	Horizontal Angle		
	0	45	90
55	7735	7679	7596
65	7299	7186	7111
75	6328	6205	6144
85	3831	3649	3649

LED lighting facts
A Program of the U.S. DOE

Light Output (Lumens) **2174**

Watts **27.7**

Lumens per Watt (Efficacy) **78**

Color Accuracy
Color Rendering Index (CRI) **83**

Light Color
Correlated Color Temperature (CCT) **3491 (Bright White)**

Warm White | Bright White | Daylight

2700K | 3000K | 4500K | 6500K

All results are according to IESNA LM-79-08: Approved Method for the Electrical and Photometric Testing of Solid-State Lighting. The U.S. Department of Energy (DOE) verifies product test data and results.

Visit www.lightingfacts.com for the Label Reference Guide.

Registration Number: F46Z-VLAZPQ (6/5/2014)
Model Number: 39xVLBLGX04
Type: Luminaire - Linear

Electrical Specifications

Input Voltage	120V	277V
Input Power	27.7W	27.7W
Input Current	0.23A	0.11A
Power Factor	0.983	0.878
Total Harm. Distortion	16.5%	19.3%
Tested values – contact technical support for rated values. Off-state power zero unless certain controls are specified.		
With SpaceWise DT, standby power <0.5W (120V) or <0.8W (277V).		

TRUGROOVE CONTINUOUS DEFINITION LED

Modules & Runs

TruGroove Continuous LED nominal housing lengths

2ft, 3ft, 4ft, 6ft & 8ft units can be combined to build continuous runs starting from 5ft in 1ft steps. Available incremental units allow run lengths from 5ft in steps as small as 1/8in*.

*Note: Asymmetric and E lumen package versions (3000lm/4ft) are only available in 2ft increments.

Flush lens trimless versions can be installed in either the wall or ceiling.

To ensure full cavity closure and simplify installation, there are both end-run units with one closed end and mid-run, open units.

Refer to module size details below for actual dimensions e.g. trim. T-grid units fit within a standard 2' grid. To specify corners and patterns, refer to TruGroove Corners data sheets.

Continuous Run Example

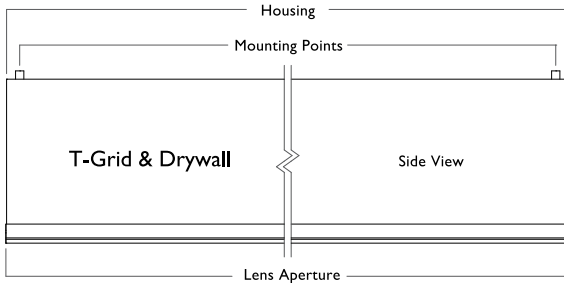


Housing lengths

Trim type	Run & housing	Lens	Mounting points	Overall trim
T-Grid	Length L	L - 1"		L - 0.2"
Drywall Trimless	Length L	L	L - 0.8"	L + 3.3"
Drywall Trim	Length L	L	L - 0.8"	L + 1.5"

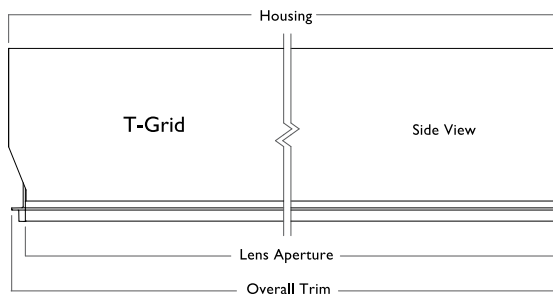
Module Dimensions

Continuous mid-run units

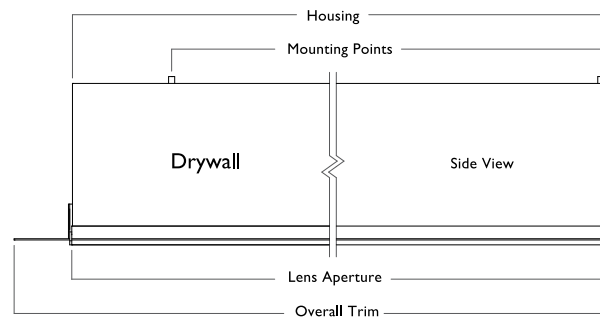


Nominal length	Housing & Lens	Mounting points
2ft	24.0"/610mm	23.2"/590mm
3ft	36.0"/914mm	35.2"/894mm
4ft	48.0"/1219mm	47.2"/1199mm
6ft	72.0"/1829mm	71.2"/1808mm
8ft	96.0"/2438mm	95.2"/2418mm
Increment	Length L	L - 0.8"

Continuous end-run units

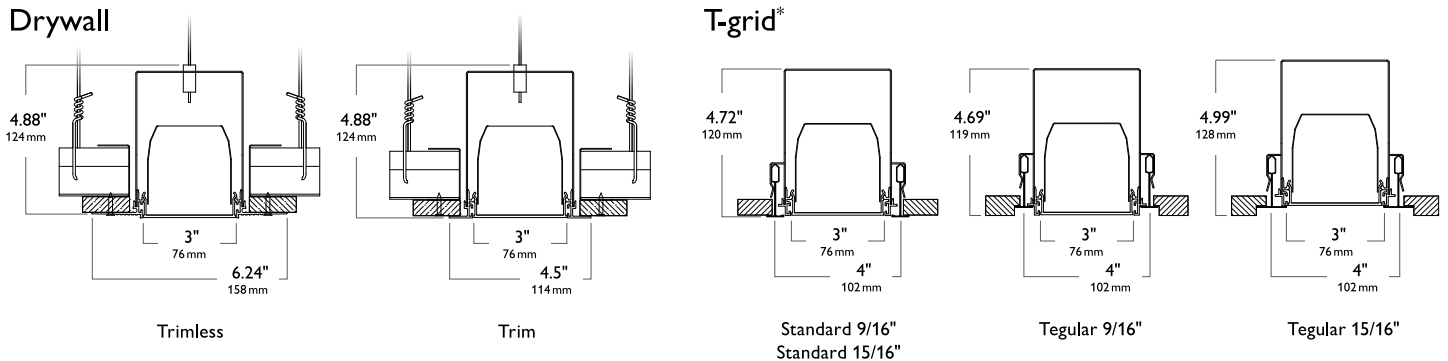


Nominal length	Housing	Lens	Trim - T-Grid
2ft	24.0"/610mm	23.5"/597mm	23.9"/606mm
3ft	36.0"/914mm	35.5"/902mm	35.9"/911mm
4ft	48.0"/1219mm	47.5"/1207mm	47.9"/1216mm
6ft	72.0"/1829mm	71.5"/1816mm	71.9"/1826mm
8ft	96.0"/2438mm	95.5"/2426mm	95.9"/2435mm
Increment	Length L	L - 0.5"	L - 0.1"



Nominal length	Housing	Mounting points	Trim - Drywall trimless	Trim - Drywall trim
2ft	24.0"/610mm	23.2"/590mm	25.7"/652mm	24.75"/629mm
3ft	36.0"/914mm	35.2"/894mm	37.7"/957mm	36.75"/933mm
4ft	48.0"/1219mm	47.2"/1199mm	49.7"/1262mm	48.75"/1238mm
6ft	72.0"/1829mm	71.2"/1808mm	73.7"/1872mm	72.75"/1848mm
8ft	96.0"/2438mm	95.2"/2418mm	97.7"/2481mm	96.75"/2457mm
Increment	Length L	L - 0.8"	L + 1.7"	L + 0.75"

Options and Details



* Compatible with TechZone® 4" Ceiling Grid

Trim Views

Flush lens



Drywall Trimless



Drywall Trim



T-grid

Housing

Die-formed 20 gauge cold-rolled steel. Multiple upper wire entrances available for continuous row mounting of fixtures.

Weight

Maximum 3.5lb/ft.

Optical System

Performance version: White light emitted from the LED sources is internally reflected and laterally redirected by a biconvex lens. Light is then reflected by Miro Silver panels and exits through the optical lens assembly. This assembly contains acrylic extrusion profiles to retain a layer of MesoOptics film, creating both an uninterrupted continuum of light and an optical batwing distribution.

Definition version: Light passes through a diffuse white acrylic lens to deliver a highly uniform luminous continuum.

Standard Driver

Dimming: 0-10V, 5-100%. Philips Advance Xitanium Sensor Ready (SR), 5-100% (for SpaceWise). Output is Class 2 rated.

Lumen Maintenance

At an ambient temperature of 25°C in non-insulated contact applications, the LED lumen maintenance expectation for each lumen package is:

K: L₉₀ (12k) 71,000 hrs

G: L₉₀ (12k) 68,000 hrs

E: L₉₀ (12k) 54,000 hrs

Controls

Available with SpaceWise DT occupancy & daylight sensor w/ advanced grouping & dwell time.

* SpaceWise DT commissioning is via a compatible Android phone and Philips Field App. Compatible wireless dimming wall switches are available for dimming. For more information, please refer to www.philips.com/spacewise

Mounting

Mounting brackets on housing sides support T-Grid installation. 1/16" diameter aircraft cable with self-locking, tamper-resistant, miniature cable gripper provides vertical adjustment for drywall. Aircraft cable, crimp and gripper independently tested to meet stringent safety requirements. Compatible with 4" Armstrong TechZone ceiling grid.

Joints

Self-aligning joining system with hands-free pre-joining wire access.

Electrical

Factory pre-wired to section ends with quick-wire connectors.

Approvals

Certified to UL, CSA and IES standards. Insulation Contact (IC) rated.

Finish

Extruded aluminum trim and die-cast endplates coated with electrostatically applied and thermally cured polyester. White sensors only: powder coat paint finish.

Environment

Rated for dry or damp locations in operating ambient temperatures 0-40°C (32-104°F). Certain luminaire components may be adversely affected by contaminants. Damage caused by sulfur, chlorine, petroleum based solutions or other contaminants are not covered under warranty.

Due to continuing product improvements, Philips Ledalite reserves the right to change the specifications without notice.



© 2014 Koninklijke Philips N.V. All rights reserved.
Specifications are subject to change without notice.
www.philips.com/luminaires

TruGrvContDefn_35K22lm_L 08.17 page 4 of 4

Philips Lighting
North America Corporation
200 Franklin Square Drive
Somerset, NJ 08873
Phone: 855-486-2216