

# Transforming light into an element of design

DIRECT PERFORMANCE, FLUSH MESOOPTICS LENS  
1500 lm/4ft, Flush Meso  
4000K

**Project:**

**Spec Type:**

**Catalog No:** 39K1LAKQ

**Qty**

**Line Notes:**

## Ordering guide

Product Type	Source	Color Temp *	Lumens *	Optics	Housing	Ceiling / Trim	Run Length	Wiring †	Voltage	Driver
39K1	L	A	K	Q	S					
TruGroove Performance LED	L LED	A 4000K B 3500K C 3000K	E 3000 lm/4ft G 2200 lm/4ft K 1500 lm/4ft	Q Flush Meso Lens R Regressed Meso Lens	S Standard C Chicago Plenum	1 T-Grid 3 Drywall Trimless 4 Drywall Trim  5 Armstrong Formations	02 2' 22 2x2' 04 4' 06 6' 08 8'  06 6' 08 8' 10 10' (6' + 4' unit)	7 1 cct Dimming M 1 cct Dimming + EM Wiring N 1 cct Dimming + EM Batt. Pack  1 1 cct 3 1 cct + EM/NL Wiring 5 1 cct + EM Batt. Pack B 2 cct A/B	1 120V 2 277V 3 347V	E Philips Advance 0-10V  <i>Other drivers available - consult your Philips representative</i>

\* Nominal values within a range. Consult photometry data for exact color temp, lumens & distribution.

† Not all wiring types are available with all configurations. Consult Philips Ledalite for a complete list of available options.

## Mounting Hardware

Mount Type  
Consult separate mounting spec sheet for mount type options

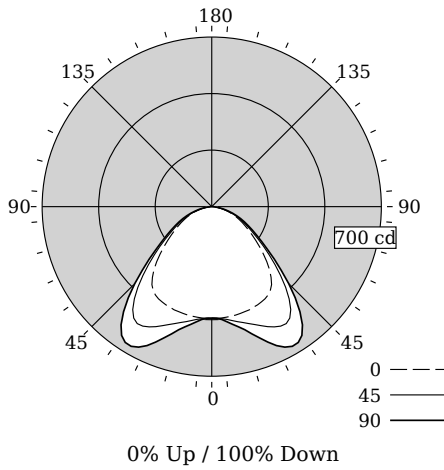
## TRUGROOVE OUTSIDE CORNER PERFORMANCE LED



# TRUGROOVE OUTSIDE CORNER PERFORMANCE LED

DIRECT PERFORMANCE, FLUSH MESOOPTICS LENS

## Photometry



<b>Total Output</b>	<b>1510 lm</b>
<b>Efficacy</b>	<b>80.7 lm/W</b>
<b>CCT</b>	<b>4020K</b>
<b>CRI</b>	<b>84</b>
<b>Distribution</b>	<b>0% Up / 100% Down</b>
<b>Spacing Criteria (0/90/180°)</b>	<b>1.41/1.75/NA</b>
Meets RP-1-12 recommendations for VDT-Critical spaces	

Values per straight 4ft unit

Fixture photometry has been conducted in accordance with IESNA LM-79-08

IES files for this and other photometric options can be downloaded online at [www.lightingproducts.philips.com](http://www.lightingproducts.philips.com)

## Candela Distribution

Vertical Angle	Horizontal Angle				Zonal Lumens
	0	22.5	45	67.5	
0	460	460	460	460	0
5	461	458	464	468	45
15	456	464	495	518	141
25	447	477	547	610	251
35	422	465	561	628	337
45	321	345	402	439	303
55	203	220	234	247	210
65	124	132	137	145	137
75	61	62	66	71	71
85	11	11	13	14	16
90	0	0	0	0	0
95	0	0	0	0	0
105	0	0	0	0	0
115	0	0	0	0	0
125	0	0	0	0	0
135	0	0	0	0	0
145	0	0	0	0	0
155	0	0	0	0	0
165	0	0	0	0	0
175	0	0	0	0	0
180	0	0	0	0	0

## Coefficients of Utilization (%)

RCR	Ceiling		80				70				50				30				10			
	Wall	70	50	30	10	70	50	30	10	70	50	30	10	70	50	30	10	70	50	30	10	
0	119	119	119	119	116	116	116	111	111	111	111	111	111	100	100	100	100	100	100	100	100	100
1	110	105	102	98	107	103	100	99	96	93	86	86	86	86	86	86	86	86	86	86	86	86
2	101	93	87	81	98	91	85	88	83	78	73	73	73	73	73	73	73	73	73	73	73	73
3	92	82	75	68	90	81	74	78	72	67	62	62	62	62	62	62	62	62	62	62	62	62
4	85	73	65	58	82	72	64	69	63	57	54	54	54	54	54	54	54	54	54	54	54	54
5	78	66	57	51	76	65	56	62	55	50	47	47	47	47	47	47	47	47	47	47	47	47
6	72	59	51	44	70	58	50	56	49	44	41	41	41	41	41	41	41	41	41	41	41	41
7	67	54	45	39	65	53	45	51	44	39	36	36	36	36	36	36	36	36	36	36	36	36
8	62	49	41	35	61	48	40	47	40	35	32	32	32	32	32	32	32	32	32	32	32	32
9	58	45	37	31	57	44	37	43	36	31	29	29	29	29	29	29	29	29	29	29	29	29
10	54	41	33	28	53	41	33	40	33	28	26	26	26	26	26	26	26	26	26	26	26	26

## Avg. Luminance (cd/m2)

Vertical Angle	Horizontal Angle		
	0	45	90
55	3896	4485	4827
65	3224	3560	3869
75	2569	2822	3033
85	1376	1626	1751

**LED lighting facts**  
A Program of the U.S. DOE

**Light Output (Lumens)** 1510  
**Watts** 18.7  
**Lumens per Watt (Efficacy)** 80

**Color Accuracy**  
Color Rendering Index (CRI) 84

**Light Color**  
Correlated Color Temperature (CCT) 4020 (Bright White)

Warm White | Bright White | Daylight  
2700K | 3000K | 4500K | 6500K

All results are according to IESNA LM-79-08: Approved Method for the Electrical and Photometric Testing of Solid-State Lighting. The U.S. Department of Energy (DOE) verifies product test data and results.

Visit [www.lightingfacts.com](http://www.lightingfacts.com) for the Label Reference Guide.

Registration Number: F46Z-CRH/BR (3/12/2014)  
Model Number: 39x1LAKQxx04  
Type: Luminaire - Linear

## Electrical Specifications

<b>Input Voltage</b>	<b>120V</b>	<b>277V</b>
<b>Input Power</b>	<b>18.7W</b>	<b>19.1W</b>
<b>Input Current</b>	<b>0.16A</b>	<b>0.09A</b>
<b>Power Factor</b>	<b>0.971</b>	<b>0.787</b>
<b>Total Harm. Distortion</b>	<b>20.3%</b>	<b>18.5%</b>
Tested values – contact technical support for rated values. Off-state power zero unless certain controls are specified.		

# TRUGROOVE OUTSIDE CORNER PERFORMANCE LED

## Modules & Runs

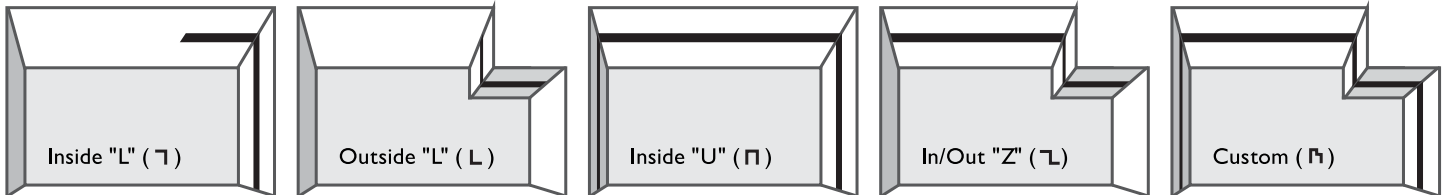
TruGroove LED Corners nominal sizes

- 2ft x 2ft 90° flat lit corner unit
- 2ft x 2ft 90° outside lit corner unit
- Inside 90° joiner bracket

Outside corners can be installed either wall-to-wall or wall-to-ceiling.

Refer to module size details below for actual dimensions. Outside corner units are only available in drywall trimless mount. Inside corners are built from two straight runs and a corner joiner kit. Please provide pattern drawings or sketches with dimensions. To specify continuous straight runs, refer to TruGroove Continuous data sheets.

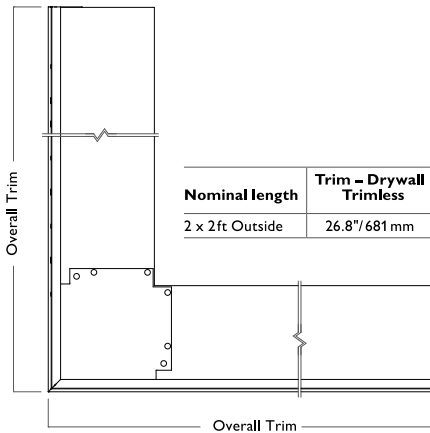
### 3D Patterns – with Inside or Outside Corners



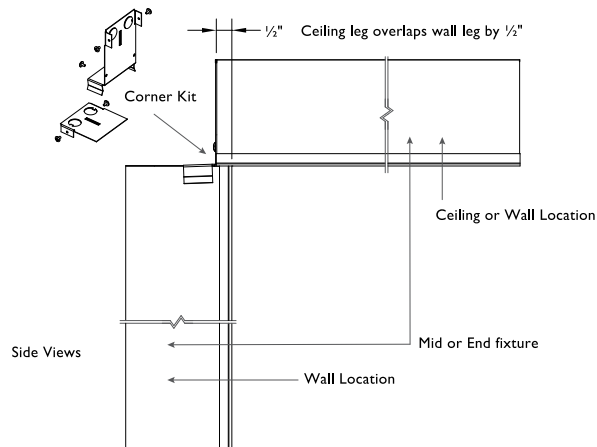
## Module Dimensions

### Corners

#### Outside 90° Lit Corner Unit

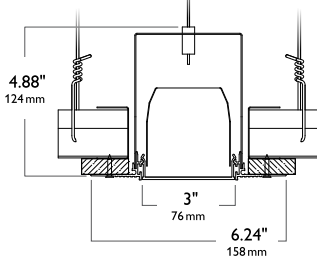


#### Inside 90° Corner Kit



## Options and Details

### Drywall



Trimless

### Trim Views

#### Flush lens



Drywall Trimless



Drywall Trim



T-grid

#### Housing

Die-formed 20 gauge cold-rolled steel. Multiple upper wire entrances available for continuous row mounting of fixtures.

#### Weight

Maximum 3.5lb/ft.

#### Optical System

Performance version: White light emitted from the LED sources is internally reflected and laterally redirected by a biconvex lens. Light is then reflected by Miro Silver panels and exits through the optical lens assembly. This assembly contains acrylic extrusion profiles to retain a layer of MesoOptics film, creating both an uninterrupted continuum of light and an optical batwing distribution.

Definition version: Light passes through a diffuse white acrylic lens to deliver a highly uniform luminous continuum.

#### Standard Driver

Dimming: 0-10V, 5-100%. Output is Class 2 rated.

#### Lumen Maintenance

At an ambient temperature of 25°C in non-insulated contact applications, the LED lumen maintenance expectation for each lumen package is:

K: L<sub>80</sub> (12k) 71,000 hrs

G: L<sub>80</sub> (12k) 68,000 hrs

E: L<sub>80</sub> (12k) 54,000 hrs

#### Mounting

Mounting brackets on housing sides support T-Grid installation. 1/16" diameter aircraft cable with self-locking, tamper-resistant, miniature cable gripper provides vertical adjustment for drywall. Aircraft cable, crimp and gripper independently tested to meet stringent safety requirements.

#### Joints

Self-aligning joining system with hands-free pre-joining wire access.

#### Electrical

Factory pre-wired to section ends with quick-wire connectors.

#### Approvals

Certified to UL, CSA and IES standards. Insulation Contact (IC) rated.

#### Finish

Extruded aluminum trim and die-cast endplates coated with electrostatically applied and thermally cured polyester powder coat paint finish.

#### Environment

Rated for dry or damp locations in operating ambient temperatures 0-40°C (32-104°F). Certain luminaire components may be adversely affected by contaminants. Damage caused by sulfur, chlorine, petroleum based solutions or other contaminants are not covered under warranty.

Due to continuing product improvements, Philips Ledalite reserves the right to change the specifications without notice.



© 2014 Koninklijke Philips N.V. All rights reserved.  
Specifications are subject to change without notice.  
[www.philips.com/luminaires](http://www.philips.com/luminaires)

TruGrvCnrOutPerfm\_40K15lm\_Q 08.17 page 4 of 4

Philips Lighting  
North America Corporation  
200 Franklin Square Drive  
Somerset, NJ 08873  
Phone: 855-486-2216