

Transforming light into an element of design

TRUGROOVE OUTSIDE CORNER DEFINITION LED



DIRECT DEFINITION, FLUSH SILK LENS
1500 lm/4ft, Flush Silk
3500K

Project:

Spec Type:

Catalog No: 39K0LBKL

Qty

Line Notes:

Ordering guide

Product Type	Source	Color Temp *	Lumens *	Optics	Housing	Ceiling / Trim	Run Length	Wiring †	Voltage	Driver
39K0	L	B	K	L	S					
TruGroove Definition LED	L LED	A 4000K B 3500K C 3000K	E 3000 lm/4ft G 2200 lm/4ft K 1500 lm/4ft	L Flush Silk Lens M Regressed Silk Lens	S Standard C Chicago Plenum	1 T-Grid 3 Drywall Trimless 4 Drywall Trim 5 Armstrong Formations	02 2' 22 2x2' 04 4' 06 6' 08 8' 06 6' 08 8' 10 10' (6' + 4' unit)	7 1 cct Dimming M 1 cct Dimming + EM Wiring N 1 cct Dimming + EM Batt. Pack 1 1 cct 3 1 cct + EM/NL Wiring 5 1 cct + EM Batt. Pack B 2 cct A/B	1 120V 2 277V 3 347V	E Philips Advance 0-10V <i>Other drivers available - consult your Philips representative</i>

* Nominal values within a range. Consult photometry data for exact color temp, lumens & distribution.

† Not all wiring types are available with all configurations. Consult Philips Ledalite for a complete list of available options.

Mounting Hardware

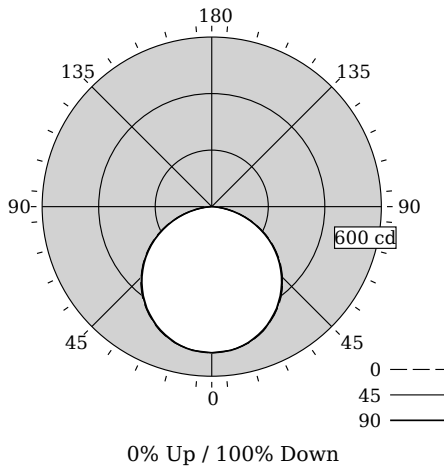
Mount Type
Consult separate mounting spec sheet for mount type options



TRUGROOVE OUTSIDE CORNER DEFINITION LED

DIRECT DEFINITION, FLUSH SILK LENS

Photometry



Total Output	1502 lm
Efficacy	80.8 lm/W
CCT	3479K
CRI	83
Distribution	0% Up / 100% Down
Spacing Criteria (0/90/180°)	1.27/1.26/NA
Meets RP-1-12 recommendations for VDT-Critical spaces	

Values per straight 4ft unit

Fixture photometry has been conducted in accordance with IESNA LM-79-08

IES files for this and other photometric options can be downloaded online at www.lightingproducts.philips.com

Candela Distribution

Vertical Angle	Horizontal Angle				Zonal Lumens
	0	22.5	45	67.5	
0	517	517	517	517	0
5	515	512	514	516	49
15	500	495	499	499	141
25	466	462	465	463	214
35	417	414	415	414	259
45	354	352	353	350	271
55	279	278	277	274	247
65	194	193	191	189	189
75	103	102	101	100	107
85	21	21	20	21	26
90	0	0	0	0	0
95	0	0	0	0	0
105	0	0	0	0	0
115	0	0	0	0	0
125	0	0	0	0	0
135	0	0	0	0	0
145	0	0	0	0	0
155	0	0	0	0	0
165	0	0	0	0	0
175	0	0	0	0	0
180	0	0	0	0	0

Coefficients of Utilization (%)

RCR	Ceiling/Wall											
	80				70				50			
	70	50	30	10	70	50	30	10	50	30	10	0
0	119	119	119	119	116	116	116	111	111	111	111	100
1	109	104	100	96	106	102	98	97	94	91	84	
2	99	90	83	78	96	88	82	85	80	75	69	
3	90	79	71	64	87	78	70	75	68	63	58	
4	82	70	61	54	80	69	60	66	59	53	50	
5	76	63	53	47	73	61	53	59	52	46	43	
6	70	56	47	41	68	55	47	53	46	40	37	
7	65	51	42	36	63	50	42	49	41	35	33	
8	60	46	38	32	59	46	38	44	37	32	29	
9	56	43	34	29	55	42	34	41	34	28	26	
10	53	39	31	26	51	39	31	38	31	26	24	

Avg. Luminance (cd/m2)

Vertical Angle	Horizontal Angle		
	0	45	90
55	5345	5307	5249
65	5044	4966	4914
75	4373	4288	4246
85	2648	2522	2522

LED lighting facts
A Program of the U.S. DOE

Light Output (Lumens) 1502
Watts 18.6
Lumens per Watt (Efficacy) 80

Color Accuracy
Color Rendering Index (CRI) 83

Light Color
Correlated Color Temperature (CCT) 3479 (Bright White)

Warm White | Bright White | Daylight
2700K | 3000K | 4500K | 6500K

Warranty** Yes

All results, except LED Lumen Maintenance, are according to IESNA LM-79-2008: Approved Method for the Electrical and Photometric Testing of Solid-State Lighting. The U.S. Department of Energy (DOE) verifies product test data and results.

** See www.lightingfacts.com/products for details.

Registration Number: F46Z-RWP1J4 (5/28/2014)
Model Number: 39wDLKLLx04
Type: Luminaire - Linear

Electrical Specifications

Input Voltage	120V	277V
Input Power	18.6W	19.0W
Input Current	0.16A	0.09A
Power Factor	0.971	0.787
Total Harm. Distortion	20.3%	18.5%
Tested values – contact technical support for rated values. Off-state power zero unless certain controls are specified.		

TRUGROOVE OUTSIDE CORNER DEFINITION LED

Modules & Runs

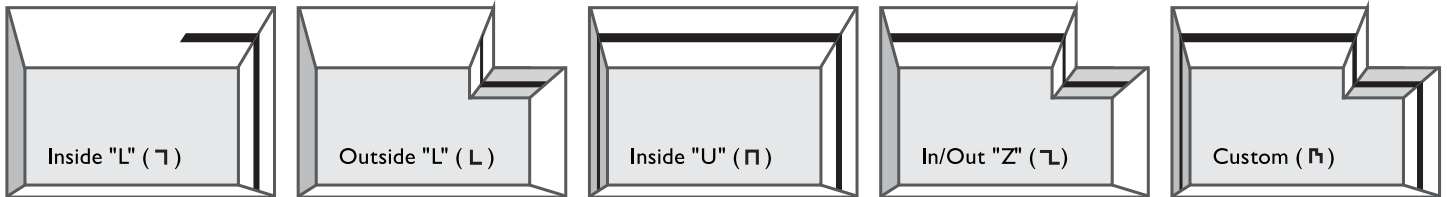
TruGroove LED Corners nominal sizes

- 2ft x 2ft 90° flat lit corner unit
- 2ft x 2ft 90° outside lit corner unit
- Inside 90° joiner bracket

Outside corners can be installed either wall-to-wall or wall-to-ceiling.

Refer to module size details below for actual dimensions. Outside corner units are only available in drywall trimless mount. Inside corners are built from two straight runs and a corner joiner kit. Please provide pattern drawings or sketches with dimensions. To specify continuous straight runs, refer to TruGroove Continuous data sheets.

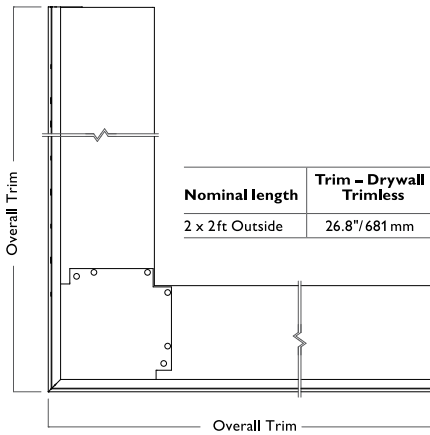
3D Patterns – with Inside or Outside Corners



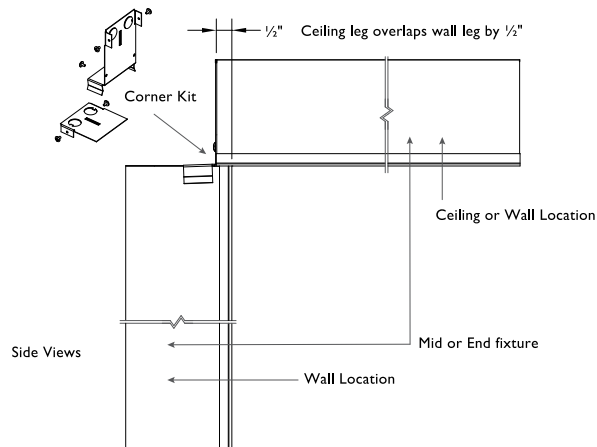
Module Dimensions

Corners

Outside 90° Lit Corner Unit

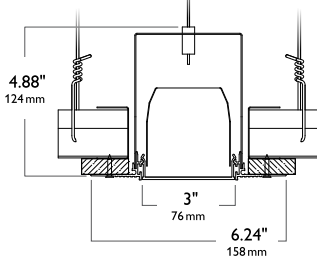


Inside 90° Corner Kit



Options and Details

Drywall



Trimless

Trim Views

Flush lens



Drywall Trimless



Drywall Trim



T-grid

Housing

Die-formed 20 gauge cold-rolled steel. Multiple upper wire entrances available for continuous row mounting of fixtures.

Weight

Maximum 3.5lb/ft.

Optical System

Performance version: White light emitted from the LED sources is internally reflected and laterally redirected by a biconvex lens. Light is then reflected by Miro Silver panels and exits through the optical lens assembly. This assembly contains acrylic extrusion profiles to retain a layer of MesoOptics film, creating both an uninterrupted continuum of light and an optical batwing distribution.

Definition version: Light passes through a diffuse white acrylic lens to deliver a highly uniform luminous continuum.

Standard Driver

Dimming: 0-10V, 5-100%. Output is Class 2 rated.

Lumen Maintenance

At an ambient temperature of 25°C in non-insulated contact applications, the LED lumen maintenance expectation for each lumen package is:

K: L₈₀ (12k) 71,000 hrs

G: L₈₀ (12k) 68,000 hrs

E: L₈₀ (12k) 54,000 hrs

Mounting

Mounting brackets on housing sides support T-Grid installation. 1/16" diameter aircraft cable with self-locking, tamper-resistant, miniature cable gripper provides vertical adjustment for drywall. Aircraft cable, crimp and gripper independently tested to meet stringent safety requirements.

Joints

Self-aligning joining system with hands-free pre-joining wire access.

Electrical

Factory pre-wired to section ends with quick-wire connectors.

Approvals

Certified to UL, CSA and IES standards. Insulation Contact (IC) rated.

Finish

Extruded aluminum trim and die-cast endplates coated with electrostatically applied and thermally cured polyester powder coat paint finish.

Environment

Rated for dry or damp locations in operating ambient temperatures 0-40°C (32-104°F). Certain luminaire components may be adversely affected by contaminants. Damage caused by sulfur, chlorine, petroleum based solutions or other contaminants are not covered under warranty.

Due to continuing product improvements, Philips Ledalite reserves the right to change the specifications without notice.



© 2014 Koninklijke Philips N.V. All rights reserved.
Specifications are subject to change without notice.
www.philips.com/luminaires

TruGrvCnrOutDefn_35K15lm_L 08.17 page 4 of 4

Philips Lighting
North America Corporation
200 Franklin Square Drive
Somerset, NJ 08873
Phone: 855-486-2216