

Transforming light into an element of design

TRUGROOVE OUTSIDE CORNER ASYMMETRIC LED



DIRECT ASYMMETRIC, FLUSH MESOOPTICS LENS
1500 lm/4ft, Flush Asym
3000K

Project:

Spec Type:

Catalog No: 39K8LCKQ

Qty

Line Notes:



mesoOptics

Ordering guide

Product Type	Source	Color Temp *	Lumens *	Optics	Housing	Ceiling / Trim	Run Length	Wiring †	Voltage	Driver
39K8	L	C	K	Q	S					
TruGroove Asymmetric LED	L LED	A 4000K B 3500K C 3000K	E 3000 lm/4ft G 2200 lm/4ft K 1500 lm/4ft	Q Flush Meso Lens	S Standard C Chicago Plenum	1 T-Grid 3 Drywall Trimless 4 Drywall Trim	02 2' 22 2x2' 04 4' 06 6' 08 8'	7 1 cct Dimming M 1 cct Dimming + EM Wiring N 1 cct Dimming + EM Batt. Pack 1 1 cct 3 1 cct + EM/NL Wiring 5 1 cct + EM Batt. Pack B 2 cct A/B	1 120V 2 277V 3 347V	E Philips Advance 0-10V <i>Other drivers available - consult your Philips representative</i>

* Nominal values within a range. Consult photometry data for exact color temp, lumens & distribution.

† Not all wiring types are available with all configurations. Consult Philips Ledalite for a complete list of available options.

Mounting Hardware

Mount Type

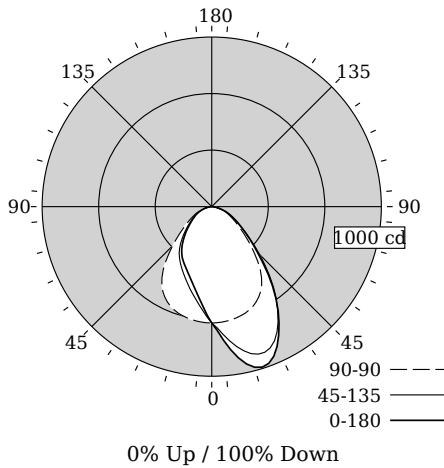
Consult separate mounting spec sheet for mount type options



TRUGROOVE OUTSIDE CORNER ASYMMETRIC LED

DIRECT ASYMMETRIC, FLUSH MESOOPTICS LENS

Photometry



Total Output	1449 lm
Efficacy	76.7 lm/W
CCT	3081K
CRI	82
Distribution	0% Up / 100% Down
Spacing Criteria (0/45/180°)	1.44/1.24/0.73
Meets RP-1-12 recommendations for VDT-Critical spaces	

Values per straight 4ft unit

Fixture photometry has been conducted in accordance with IESNA LM-79-08

IES files for this and other photometric options can be downloaded online at www.lightingproducts.philips.com

Candela Distribution

Vertical Angle	Horizontal Angle				Zonal Lumens
	45	90	135	180	
0	686	686	686	686	0
5	790	755	683	614	66
15	981	897	665	499	195
25	911	874	620	411	378
35	659	664	512	335	309
45	381	400	326	235	217
55	216	217	187	152	142
65	124	126	109	98	93
75	56	55	51	47	46
85	10	10	8	9	9
90	0	0	0	0	0
95	0	0	0	0	0
105	0	0	0	0	0
115	0	0	0	0	0
125	0	0	0	0	0
135	0	0	0	0	0
145	0	0	0	0	0
155	0	0	0	0	0
165	0	0	0	0	0
175	0	0	0	0	0
180	0	0	0	0	0

Coefficients of Utilization (%)

RCR	Ceiling: Wall													
	70			80			10			70			50	
0	119	119	119	119	116	116	116	111	111	111	111	100	100	100
1	111	106	103	100	108	104	101	100	97	95	87	87	87	87
2	102	95	89	84	100	93	88	90	85	81	76	76	76	76
3	94	85	78	72	92	83	77	81	75	70	66	66	66	66
4	87	77	69	63	85	75	68	73	67	62	58	58	58	58
5	81	69	61	55	79	68	61	66	60	55	51	51	51	51
6	75	63	55	49	73	62	55	61	54	49	46	46	46	46
7	70	58	50	44	69	57	49	56	49	44	41	41	41	41
8	66	53	45	40	64	53	45	51	45	40	38	38	38	38
9	62	49	42	36	60	49	41	48	41	36	34	34	34	34
10	58	46	38	33	57	45	38	44	38	33	31	31	31	31

Avg. Luminance (cd/m2)

Vertical Angle	Horizontal Angle		
	0	90	180
55	4136	3579	2726
65	3222	2844	2416
75	2384	2178	1973
85	1220	976	1098

LED lighting facts
A Program of the U.S. DOE

Light Output (Lumens) 1449
Watts 18.9
Lumens per Watt (Efficacy) 76

Color Accuracy
Color Rendering Index (CRI) 82

Light Color
Correlated Color Temperature (CCT) 3081 (Bright White)

Warm White 3000K Bright White 4500K Daylight 6500K

All results are according to IESNA LM-79-08: Approved Method for the Electrical and Photometric Testing of Solid-State Lighting. The U.S. Department of Energy (DOE) verifies product test data and results.

Visit www.lightingfacts.com for the Label Reference Guide.

Registration Number: F462-BV/LSQ (3/12/2014)
Model Number: 39xBLCKQxx04
Type: Luminaire - Linear

Electrical Specifications

Input Voltage	120V	277V
Input Power	18.9W	19.3W
Input Current	0.16A	0.09A
Power Factor	0.971	0.787
Total Harm. Distortion	20.3%	18.5%
Tested values – contact technical support for rated values. Off-state power zero unless certain controls are specified.		

TRUGROOVE OUTSIDE CORNER ASYMMETRIC LED

Modules & Runs

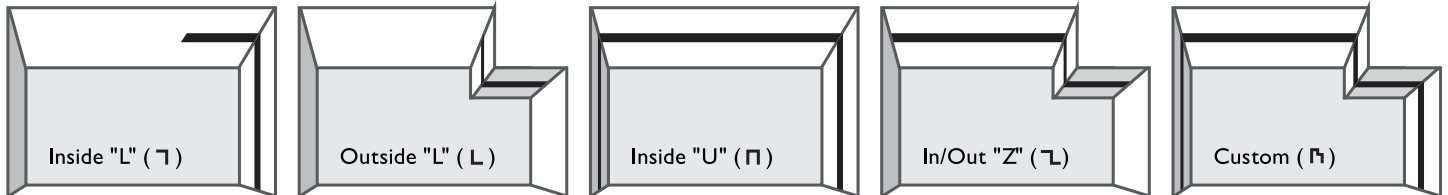
TruGroove LED Corners nominal sizes

- 2ft x 2ft 90° flat lit corner unit
- 2ft x 2ft 90° outside lit corner unit
- Inside 90° joiner bracket

Outside corners can be installed either wall-to-wall or wall-to-ceiling.

Refer to module size details below for actual dimensions. Outside corner units are only available in drywall trimless mount. Inside corners are built from two straight runs and a corner joiner kit. Please provide pattern drawings or sketches with dimensions. To specify continuous straight runs, refer to TruGroove Continuous data sheets.

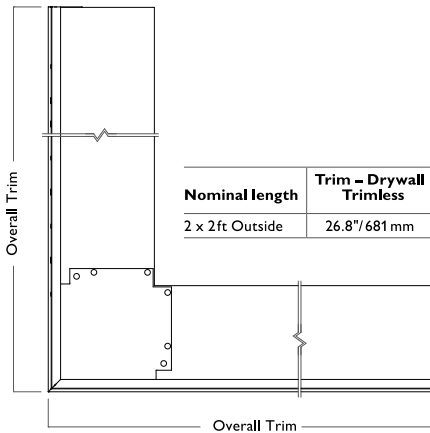
3D Patterns – with Inside or Outside Corners



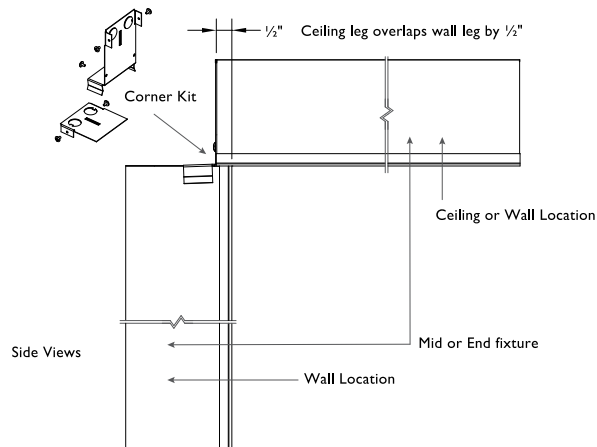
Module Dimensions

Corners

Outside 90° Lit Corner Unit



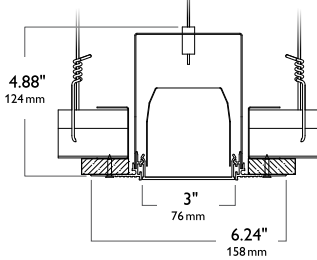
Inside 90° Corner Kit



TRUGROOVE OUTSIDE CORNER ASYMMETRIC LED

Options and Details

Drywall



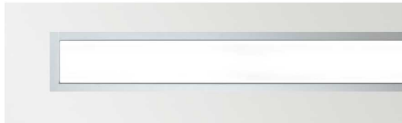
Trimless

Trim Views

Flush lens



Drywall Trimless



Drywall Trim



T-grid

Housing

Die-formed 20 gauge cold-rolled steel. Multiple upper wire entrances available for continuous row mounting of fixtures.

Weight

Maximum 3.5lb/ft.

Optical System

Performance version: White light emitted from the LED sources is internally reflected and laterally redirected by a biconvex lens. Light is then reflected by Miro Silver panels and exits through the optical lens assembly. This assembly contains acrylic extrusion profiles to retain a layer of MesoOptics film, creating both an uninterrupted continuum of light and an optical batwing distribution.

Definition version: Light passes through a diffuse white acrylic lens to deliver a highly uniform luminous continuum.

Standard Driver

Dimming: 0-10V, 5-100%. Output is Class 2 rated.

Lumen Maintenance

At an ambient temperature of 25°C in non-insulated contact applications, the LED lumen maintenance expectation for each lumen package is:

K: L₈₀ (12k) 71,000 hrs

G: L₈₀ (12k) 68,000 hrs

E: L₈₀ (12k) 54,000 hrs

Mounting

Mounting brackets on housing sides support T-Grid installation. 1/16" diameter aircraft cable with self-locking, tamper-resistant, miniature cable gripper provides vertical adjustment for drywall. Aircraft cable, crimp and gripper independently tested to meet stringent safety requirements.

Joints

Self-aligning joining system with hands-free pre-joining wire access.

Electrical

Factory pre-wired to section ends with quick-wire connectors.

Approvals

Certified to UL, CSA and IES standards. Insulation Contact (IC) rated.

Finish

Extruded aluminum trim and die-cast endplates coated with electrostatically applied and thermally cured polyester powder coat paint finish.

Environment

Rated for dry or damp locations in operating ambient temperatures 0-40°C (32-104°F). Certain luminaire components may be adversely affected by contaminants. Damage caused by sulfur, chlorine, petroleum based solutions or other contaminants are not covered under warranty.

Due to continuing product improvements, Philips Ledalite reserves the right to change the specifications without notice.



© 2014 Koninklijke Philips N.V. All rights reserved.
Specifications are subject to change without notice.
www.philips.com/luminaires

TruGrvCnrOutAsy_30K15lm_Q 08.17 page 4 of 4

Philips Lighting
North America Corporation
200 Franklin Square Drive
Somerset, NJ 08873
Phone: 855-486-2216