

Transforming light into an element of design

TRUGROOVE FLAT CORNER PERFORMANCE LED



DIRECT PERFORMANCE, FLUSH MESOOPTICS LENS
1500 lm/4ft, Flush Meso
3500K

Project:

Spec Type:

Catalog No: 39A1LBKQ

Qty

Line Notes:



mesoOptics

Ordering guide

Product Type	Source	Color Temp *	Lumens *	Optics	Housing	Ceiling / Trim	Run Length	Wiring †	Voltage	Driver
39A1	L	B	K	Q	S					
TruGroove Performance LED	L LED	A 4000K B 3500K C 3000K	E 3000 lm/4ft G 2200 lm/4ft K 1500 lm/4ft	Q Flush Meso Lens R Regressed Meso Lens	S Standard C Chicago Plenum	1 T-Grid 3 Drywall Trimless 4 Drywall Trim 5 Armstrong Formations	22 2x2	7 1 cct Dimming M 1 cct Dimming + EM Wiring N 1 cct Dimming + EM Batt. Pack 1 1 cct 3 1 cct + EM/NL Wiring 5 1 cct + EM Batt. Pack B 2 cct A/B	1 120V 2 277V 3 347V	E Philips Advance 0-10V <i>Other drivers available - consult your Philips representative</i>

* Nominal values within a range. Consult photometry data for exact color temp, lumens & distribution.

† Not all wiring types are available with all configurations. Consult Philips Ledalite for a complete list of available options.

Mounting Hardware

Mount Type

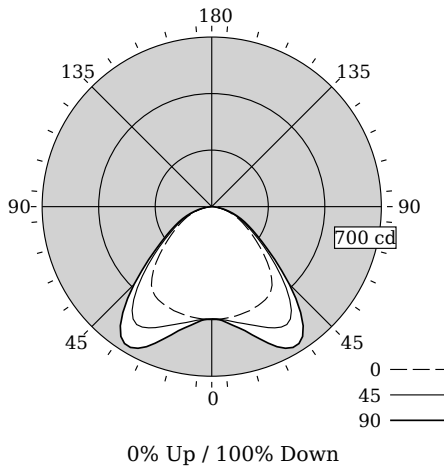
Consult separate mounting spec sheet for mount type options



TRUGROOVE FLAT CORNER PERFORMANCE LED

DIRECT PERFORMANCE, FLUSH MESOOPTICS LENS

Photometry



Total Output	1522 lm
Efficacy	81.8 lm/W
CCT	3479K
CRI	83
Distribution	0% Up / 100% Down
Spacing Criteria (0/90/180°)	1.41/1.75/NA
Meets RP-1-12 recommendations for VDT-Critical spaces	

Values per straight 4ft unit

Fixture photometry has been conducted in accordance with IESNA LM-79-08

IES files for this and other photometric options can be downloaded online at www.lightingproducts.philips.com

Candela Distribution

Vertical Angle	Horizontal Angle				Zonal Lumens
	0	22.5	45	67.5	
0	464	464	464	464	0
5	465	462	468	472	45
15	460	468	499	522	142
25	451	481	551	615	253
35	425	469	566	633	340
45	324	348	405	443	305
55	205	222	236	249	212
65	125	133	138	146	138
75	61	63	67	72	71
85	11	11	13	14	16
90	0	0	0	0	0
95	0	0	0	0	0
105	0	0	0	0	0
115	0	0	0	0	0
125	0	0	0	0	0
135	0	0	0	0	0
145	0	0	0	0	0
155	0	0	0	0	0
165	0	0	0	0	0
175	0	0	0	0	0
180	0	0	0	0	0

Coefficients of Utilization (%)

RCR	Ceiling/Wall											
	80				70				50			
	70	50	30	10	70	50	30	10	50	30	10	0
0	119	119	119	119	116	116	116	111	111	111	111	100
1	110	105	102	98	107	103	100	99	96	93	86	86
2	101	93	87	81	98	91	85	88	83	78	73	73
3	92	82	75	68	90	81	74	78	72	67	62	62
4	85	73	65	58	82	72	64	69	63	57	54	54
5	78	66	57	51	76	65	56	62	55	50	47	47
6	72	59	51	44	70	58	50	56	49	44	41	41
7	67	54	45	39	65	53	45	51	44	39	36	36
8	62	49	41	35	61	48	40	47	40	35	32	32
9	58	45	37	31	57	44	37	43	36	31	29	29
10	54	41	33	28	53	41	33	40	33	28	26	26

Avg. Luminance (cd/m2)

Vertical Angle	Horizontal Angle		
	0	45	90
55	3928	4521	4866
65	3250	3588	3900
75	2590	2845	3057
85	1387	1639	1765

LED lighting facts
A Program of the U.S. DOE

Light Output (Lumens) 1522
Watts 18.6
Lumens per Watt (Efficacy) 81

Color Accuracy
Color Rendering Index (CRI) 83

Light Color
Correlated Color Temperature (CCT) 3479 (Bright White)

Warm White | Bright White | Daylight
2700K | 3000K | 4500K | 6500K

Warranty** Yes

All results, except LED Lumen Maintenance, are according to IESNA LM-79-2008: Approved Method for the Electrical and Photometric Testing of Solid-State Lighting. The U.S. Department of Energy (DOE) verifies product test data and results.

** See www.lightingfacts.com/products for details.

Registration Number: F46Z-BA4AT5 (4/16/2014)
Model Number: 39x1LBKQxx04
Type: Luminaires - Linear

Electrical Specifications

Input Voltage	120V	277V
Input Power	18.6W	19.0W
Input Current	0.16A	0.09A
Power Factor	0.971	0.787
Total Harm. Distortion	20.3%	18.5%
Tested values – contact technical support for rated values. Off-state power zero unless certain controls are specified.		

TRUGROOVE FLAT CORNER PERFORMANCE LED

Modules & Runs

TruGroove LED Corners nominal sizes

2ft x 2ft 90° flat lit corner unit*

2ft x 2ft 90° outside lit corner unit

Inside 90° joiner bracket

*Note: Asymmetric flat corners are available with either an inner or an outer light throw (into the bend or away from it). Please provide details when ordering.

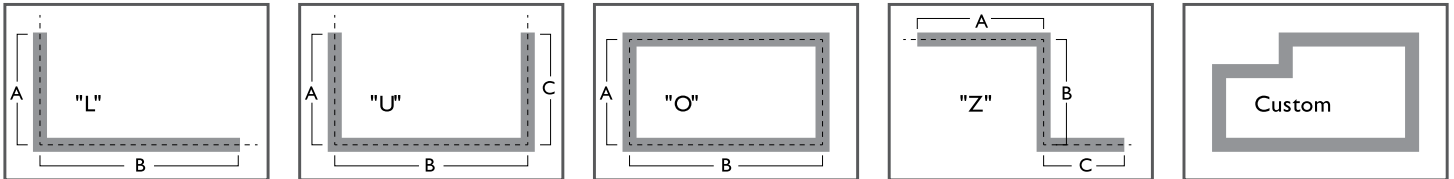
Flush lens trimless corners can be installed in either the wall or ceiling.

Refer to module size details below for actual dimensions e.g. trim. T-grid corner units are 2' on-center, so extend past the T-bar when combined with standard 2', 4' & 8' modules.

Please provide pattern drawings or sketches with dimensions based on lens centerlines.

To specify continuous straight runs, refer to TruGroove Continuous data sheets.

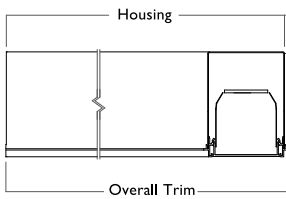
Flat Patterns – with Flat Corners



Module Dimensions

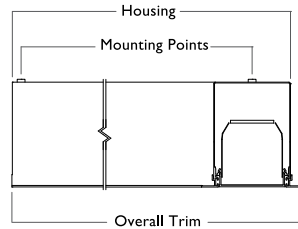
Flat 90° Lit Corner Units

T-Grid



Side Views

Drywall



Nominal length	Housing	Lens aperture	Mounting points	Trim – T-Grid	Trim – Drywall Trimless	Trim – Drywall Trim
2 x 2ft Flat	25.7"/653mm	N / A	23.6"/600mm	25.9"/658mm	27.1"/689mm	26.3"/667mm

TRUGROOVE FLAT CORNER PERFORMANCE LED

Options and Details



* Compatible with TechZone™ 4" Ceiling Grid

Trim Views

Flush lens



Drywall Trimless



Drywall Trim



T-grid

Housing

Die-formed 20 gauge cold-rolled steel. Multiple upper wire entrances available for continuous row mounting of fixtures.

Weight

Maximum 3.5lb/ft.

Optical System

Performance version: White light emitted from the LED sources is internally reflected and laterally redirected by a biconvex lens. Light is then reflected by Miro Silver panels and exits through the optical lens assembly. This assembly contains acrylic extrusion profiles to retain a layer of MesoOptics film, creating both an uninterrupted continuum of light and an optical batwing distribution.

Definition version: Light passes through a diffuse white acrylic lens to deliver a highly uniform luminous continuum.

Standard Driver

Dimming: 0-10V, 5-100%. Output is Class 2 rated.

Lumen Maintenance

At an ambient temperature of 25°C in non-insulated contact applications, the LED lumen maintenance expectation for each lumen package is:

K: L₈₀ (12k) 71,000 hrs

G: L₈₀ (12k) 68,000 hrs

E: L₈₀ (12k) 54,000 hrs

Mounting

Mounting brackets on housing sides support T-Grid installation. 1/16" diameter aircraft cable with self-locking, tamper-resistant, miniature cable gripper provides vertical adjustment for drywall. Aircraft cable, crimp and gripper independently tested to meet stringent safety requirements.

Joints

Self-aligning joining system with hands-free pre-joining wire access.

Electrical

Factory pre-wired to section ends with quick-wire connectors.

Approvals

Certified to UL, CSA and IES standards. Insulation Contact (IC) rated.

Finish

Extruded aluminum trim and die-cast endplates coated with electrostatically applied and thermally cured polyester powder coat paint finish.

Environment

Rated for dry or damp locations in operating ambient temperatures 0-40°C (32-104°F). Certain luminaire components may be adversely affected by contaminants. Damage caused by sulfur, chlorine, petroleum based solutions or other contaminants are not covered under warranty.

Due to continuing product improvements, Philips Ledalite reserves the right to change the specifications without notice.



© 2014 Koninklijke Philips N.V. All rights reserved.
Specifications are subject to change without notice.
www.philips.com/luminaires

TruGrvCnrFlatPerfm_35K15lm_Q 08.17 page 4 of 4

Philips Lighting
North America Corporation
200 Franklin Square Drive
Somerset, NJ 08873
Phone: 855-486-2216