

Transforming light into an element of design

TRUGROOVE FLAT CORNER DEFINITION LED



DIRECT DEFINITION, REGRESSED SILK LENS
2200 lm/4ft, Regress Silk
4000K

Project:

Spec Type:

Catalog No: 39A0LAGM

Qty

Line Notes:



Ordering guide

Product Type	Source	Color Temp *	Lumens *	Optics	Housing	Ceiling / Trim	Run Length	Wiring †	Voltage	Driver
39A0	L	A	G	M	S					
TruGroove Definition LED	L LED	A 4000K B 3500K C 3000K	E 3000 lm/4ft G 2200 lm/4ft K 1500 lm/4ft	L Flush Silk Lens M Regressed Silk Lens	S Standard C Chicago Plenum	1 T-Grid 3 Drywall Trimless 4 Drywall Trim 5 Armstrong Formations	22 2x2	7 1 cct Dimming M 1 cct Dimming + EM Wiring N 1 cct Dimming + EM Batt. Pack 1 1 cct 3 1 cct + EM/NL Wiring 5 1 cct + EM Batt. Pack B 2 cct A/B	1 120V 2 277V 3 347V	E Philips Advance 0-10V <i>Other drivers available - consult your Philips representative</i>

* Nominal values within a range. Consult photometry data for exact color temp, lumens & distribution.

† Not all wiring types are available with all configurations. Consult Philips Ledalite for a complete list of available options.

Mounting Hardware

Mount Type

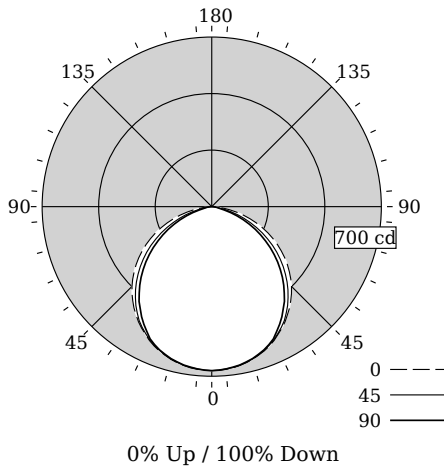
Consult separate mounting spec sheet for mount type options



TRUGROOVE FLAT CORNER DEFINITION LED

DIRECT DEFINITION, REGRESSED SILK LENS

Photometry



Total Output	1811 lm
Efficacy	64.4 lm/W
CCT	4039K
CRI	84
Distribution	0% Up / 100% Down
Spacing Criteria (0/90/180°)	1.27/1.23/NA
Meets RP-1-12 recommendations for VDT-Normal spaces	

Values per straight 4ft unit

Fixture photometry has been conducted in accordance with IESNA LM-79-08

IES files for this and other photometric options can be downloaded online at www.lightingproducts.philips.com

Candela Distribution

Vertical Angle	Horizontal Angle				Zonal Lumens
	0	22.5	45	67.5	
0	677	677	677	677	0
5	674	673	673	674	64
15	652	645	651	651	183
25	609	604	606	604	278
35	545	539	536	522	333
45	466	458	440	421	339
55	368	356	328	305	294
65	256	236	204	180	206
75	135	114	83	60	95
85	27	14	11	11	18
90	0	0	0	0	0
95	0	0	0	0	0
105	0	0	0	0	0
115	0	0	0	0	0
125	0	0	0	0	0
135	0	0	0	0	0
145	0	0	0	0	0
155	0	0	0	0	0
165	0	0	0	0	0
175	0	0	0	0	0
180	0	0	0	0	0

Coefficients of Utilization (%)

RCR	Ceiling				Wall				0			
	70	50	30	10	70	50	30	10	50	30	10	0
0	119	119	119	119	116	116	116	111	111	111	111	100
1	109	105	101	97	107	103	99	98	95	93	85	85
2	100	92	85	80	97	90	84	87	82	77	72	72
3	91	81	73	67	89	79	72	77	70	65	61	61
4	84	72	63	57	81	71	63	68	61	56	52	52
5	77	64	56	49	75	63	55	61	54	48	45	45
6	71	58	49	43	69	57	49	55	48	42	40	40
7	66	53	44	38	64	52	44	50	43	38	35	35
8	61	48	40	34	60	47	39	46	39	34	31	31
9	57	44	36	31	56	44	36	42	35	30	28	28
10	54	41	33	28	53	40	33	39	32	27	26	26

Avg. Luminance (cd/m²)

Vertical Angle	Horizontal Angle		
	0	45	90
55	7048	6277	5644
65	6651	5306	4446
75	5735	3539	2257
85	3442	1449	1449

LED lighting facts
A Program of the U.S. DOE

Light Output (Lumens) 1811
Watts 28.1
Lumens per Watt (Efficacy) 64

Color Accuracy
Color Rendering Index (CRI) 84

Light Color
Correlated Color Temperature (CCT) 4039 (Bright White)

Warm White 3000K Bright White 4500K Daylight 6500K

All results are according to IESNA LM-79-08: Approved Method for the Electrical and Photometric Testing of Solid-State Lighting. The U.S. Department of Energy (DOE) verifies product test data and results.

Visit www.lightingfacts.com for the Label Reference Guide.

Registration Number: F46Z-OLQQQF (3/12/2014)
Model Number: 39vLAGMxx04
Type: Luminaire - Linear

Electrical Specifications

Input Voltage	120V	277V
Input Power	28.1W	28.1W
Input Current	0.24A	0.12A
Power Factor	0.983	0.878
Total Harm. Distortion	16.5%	19.3%
Tested values – contact technical support for rated values. Off-state power zero unless certain controls are specified.		

TRUGROOVE FLAT CORNER DEFINITION LED

Modules & Runs

TruGroove LED Corners nominal sizes

2ft x 2ft 90° flat lit corner unit*

2ft x 2ft 90° outside lit corner unit

Inside 90° joiner bracket

*Note: Asymmetric flat corners are available with either an inner or an outer light throw (into the bend or away from it). Please provide details when ordering.

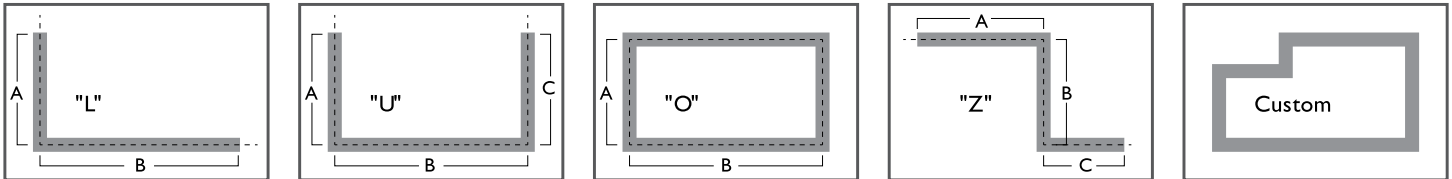
Regress lens corners can only be installed in the ceiling (not in wall).

Refer to module size details below for actual dimensions e.g. trim. T-grid corner units are 2' on-center, so extend past the T-bar when combined with standard 2', 4' & 8' modules.

Please provide pattern drawings or sketches with dimensions based on lens centerlines.

To specify continuous straight runs, refer to TruGroove Continuous data sheets.

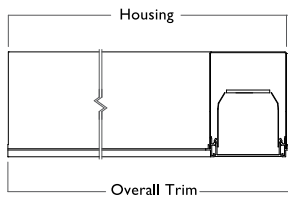
Flat Patterns – with Flat Corners



Module Dimensions

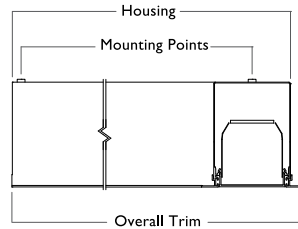
Flat 90° Lit Corner Units

T-Grid



Side Views

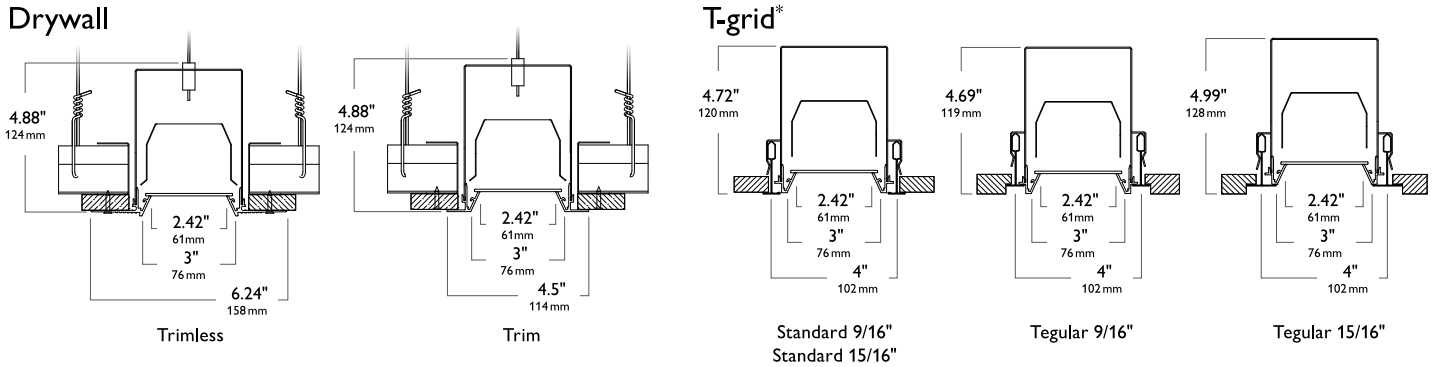
Drywall



Nominal length	Housing	Lens aperture	Mounting points	Trim – T-Grid	Trim – Drywall Trimless	Trim – Drywall Trim
2 x 2ft Flat	25.7"/653mm	N / A	23.6"/600mm	25.9"/658mm	27.1"/689mm	26.3"/667mm

TRUGROOVE FLAT CORNER DEFINITION LED

Options and Details



* Compatible with TechZone® 4" Ceiling Grid

Trim Views

Regressed lens



Drywall Trimless



Drywall Trim



T-grid

Housing

Die-formed 20 gauge cold-rolled steel. Multiple upper wire entrances available for continuous row mounting of fixtures.

Weight

Maximum 3.5lb/ft.

Optical System

Performance version: White light emitted from the LED sources is internally reflected and laterally redirected by a biconvex lens. Light is then reflected by Miro Silver panels and exits through the optical lens assembly. This assembly contains acrylic extrusion profiles to retain a layer of MesoOptics film, creating both an uninterrupted continuum of light and an optical batwing distribution.

Definition version: Light passes through a diffuse white acrylic lens to deliver a highly uniform luminous continuum.

Standard Driver

Dimming: 0-10V, 5-100%. Output is Class 2 rated.

Lumen Maintenance

At an ambient temperature of 25°C in non-insulated contact applications, the LED lumen maintenance expectation for each lumen package is:

K: L₈₀ (12k) 71,000 hrs

G: L₈₀ (12k) 68,000 hrs

E: L₈₀ (12k) 54,000 hrs

Mounting

Mounting brackets on housing sides support T-Grid installation. 1/16" diameter aircraft cable with self-locking, tamper-resistant, miniature cable gripper provides vertical adjustment for drywall. Aircraft cable, crimp and gripper independently tested to meet stringent safety requirements.

Joints

Self-aligning joining system with hands-free pre-joining wire access.

Electrical

Factory pre-wired to section ends with quick-wire connectors.

Approvals

Certified to UL, CSA and IES standards. Insulation Contact (IC) rated.

Finish

Extruded aluminum trim and die-cast endplates coated with electrostatically applied and thermally cured polyester powder coat paint finish.

Environment

Rated for dry or damp locations in operating ambient temperatures 0-40°C (32-104°F). Certain luminaire components may be adversely affected by contaminants. Damage caused by sulfur, chlorine, petroleum based solutions or other contaminants are not covered under warranty.

Due to continuing product improvements, Philips Ledalite reserves the right to change the specifications without notice.



© 2014 Koninklijke Philips N.V. All rights reserved.
Specifications are subject to change without notice.
www.philips.com/luminaires

TruGrvCnrFlatDefn_40K22Im_M 08.17 page 4 of 4

Philips Lighting
North America Corporation
200 Franklin Square Drive
Somerset, NJ 08873
Phone: 855-486-2216