

# Transforming light into an element of design

## TRUGROOVE FLAT CORNER DEFINITION LED



DIRECT DEFINITION, FLUSH SILK LENS  
2200 lm/4ft, Flush Silk  
3500K

**Project:**

**Spec Type:**

**Catalog No:** 39A0LBGL

**Qty**

**Line Notes:**



### Ordering guide

| Product Type                | Source | Color Temp *                  | Lumens *  | Optics  | Housing                        | Ceiling / Trim  | Run Length | Wiring †   | Voltage                    | Driver   |
|-----------------------------|--------|-------------------------------|---|---|--------------------------------|---|------------|--|----------------------------|--|
| 39A0                        | L      | B                             | G   | L   | S                              |   |            |  |                            |  |
| TruGroove<br>Definition LED | L LED  | A 4000K<br>B 3500K<br>C 3000K | E 3000 lm/4ft<br>G 2200 lm/4ft<br>K 1500 lm/4ft | L Flush Silk Lens<br>M Regressed Silk<br>Lens | S Standard<br>C Chicago Plenum | 1 T-Grid<br>3 Drywall Trimless<br>4 Drywall Trim<br><br>5 Armstrong<br>Formations | 22 2x2     | 7 1 cct Dimming<br>M 1 cct Dimming<br>+ EM Wiring<br>N 1 cct Dimming<br>+ EM Batt. Pack<br>1 1 cct<br>3 1 cct + EM/NL<br>Wiring<br>5 1 cct + EM<br>Batt. Pack<br>B 2 cct A/B | 1 120V<br>2 277V<br>3 347V | E Philips Advance<br>0-10V<br><br><i>Other drivers<br/>available -<br/>consult<br/>your Philips<br/>representative</i> |

\* Nominal values within a range. Consult photometry data for exact color temp, lumens & distribution.

† Not all wiring types are available with all configurations. Consult Philips Ledalite for a complete list of available options.

### Mounting Hardware

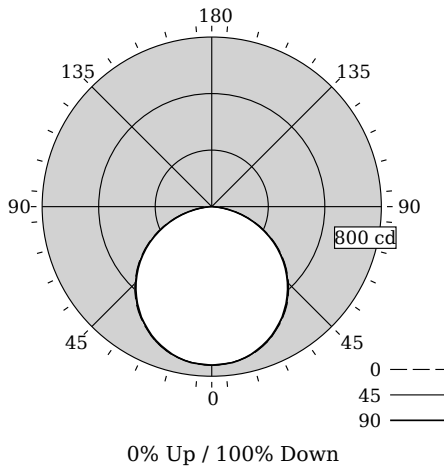
Mount Type  
Consult separate mounting spec sheet for mount type options



# TRUGROOVE FLAT CORNER DEFINITION LED

DIRECT DEFINITION, FLUSH SILK LENS

## Photometry



**LED lighting facts**  
A Program of the U.S. DOE

Philips LedBrite

**Light Output (Lumens)** 2174  
**Watts** 27.7  
**Lumens per Watt (Efficacy)** 78

**Color Accuracy**  
Color Rendering Index (CRI) 83

**Light Color**  
Correlated Color Temperature (CCT) 3491 (Bright White)

Warm White 3000K Bright White 4500K Daylight 6500K

All results are according to IESNA LM-79-2008: Approved Method for the Electrical and Photometric Testing of Solid-State Lighting. The U.S. Department of Energy (DOE) verifies product test data and results.

Visit [www.lightingfacts.com](http://www.lightingfacts.com) for the Label Reference Guide.

Registration Number: F46Z-VLAZPQ (6/5/2014)  
Model Number: 39x0LBGLux04  
Type: Luminaire - Linear

|   |                   |
|---|-------------------|
| <b>Total Output</b>                                 | 2174 lm           |
| <b>Efficacy</b>                                     | 78.5 lm/W         |
| <b>CCT</b>  | 3491K             |
| <b>CRI</b>  | 83                |
| <b>Distribution</b>                                 | 0% Up / 100% Down |
| <b>Spacing Criteria (0/90/180°)</b>                 | 1.27/1.26/NA      |
| Meets RP-1-12 recommendations for VDT-Normal spaces |                   |

Values per straight 4ft unit

Fixture photometry has been conducted in accordance with IESNA LM-79-08

IES files for this and other photometric options can be downloaded online at [www.lightingproducts.philips.com](http://www.lightingproducts.philips.com)

## Candela Distribution

| Vertical Angle | Horizontal Angle |      |     |      | Zonal Lumens |
|----------------|------------------|------|-----|------|--------------|
|                | 0                | 22.5 | 45  | 67.5 |              |
| 0              | 748              | 748  | 748 | 748  | 0            |
| 5              | 745              | 741  | 744 | 747  | 71           |
| 15             | 724              | 716  | 722 | 722  | 203          |
| 25             | 674              | 669  | 673 | 670  | 309          |
| 35             | 603              | 599  | 601 | 599  | 375          |
| 45             | 512              | 509  | 511 | 506  | 392          |
| 55             | 404              | 402  | 401 | 396  | 357          |
| 65             | 281              | 279  | 276 | 273  | 274          |
| 75             | 149              | 148  | 146 | 145  | 155          |
| 85             | 30               | 30   | 29  | 30   | 37           |
| 90             | 0                | 0    | 0   | 0    | 0            |
| 95             | 0                | 0    | 0   | 0    | 0            |
| 105            | 0                | 0    | 0   | 0    | 0            |
| 115            | 0                | 0    | 0   | 0    | 0            |
| 125            | 0                | 0    | 0   | 0    | 0            |
| 135            | 0                | 0    | 0   | 0    | 0            |
| 145            | 0                | 0    | 0   | 0    | 0            |
| 155            | 0                | 0    | 0   | 0    | 0            |
| 165            | 0                | 0    | 0   | 0    | 0            |
| 175            | 0                | 0    | 0   | 0    | 0            |
| 180            | 0                | 0    | 0   | 0    | 0            |

## Coefficients of Utilization (%)

| RCR | Ceiling/Wall |     |     |     |     |     |     |     |     |     |     |     |
|-----|--------------|-----|-----|-----|-----|-----|-----|-----|-----|-----|-----|-----|
|     | 80           |     |     |     | 70  |     |     |     | 50  |     |     |     |
|     | 70           | 50  | 30  | 10  | 70  | 50  | 30  | 10  | 50  | 30  | 10  | 0   |
| 0   | 119          | 119 | 119 | 119 | 116 | 116 | 116 | 111 | 111 | 111 | 111 | 100 |
| 1   | 109          | 104 | 100 | 96  | 106 | 102 | 98  | 97  | 94  | 91  | 84  | 84  |
| 2   | 99           | 90  | 83  | 78  | 96  | 88  | 82  | 85  | 80  | 75  | 69  | 69  |
| 3   | 90           | 79  | 71  | 64  | 87  | 78  | 70  | 75  | 68  | 63  | 58  | 58  |
| 4   | 82           | 70  | 61  | 54  | 80  | 69  | 60  | 66  | 59  | 53  | 50  | 50  |
| 5   | 76           | 63  | 53  | 47  | 73  | 61  | 53  | 59  | 52  | 46  | 43  | 43  |
| 6   | 70           | 56  | 47  | 41  | 68  | 55  | 47  | 53  | 46  | 40  | 37  | 37  |
| 7   | 65           | 51  | 42  | 36  | 63  | 50  | 42  | 49  | 41  | 35  | 33  | 33  |
| 8   | 60           | 46  | 38  | 32  | 59  | 46  | 38  | 44  | 37  | 32  | 29  | 29  |
| 9   | 56           | 43  | 34  | 29  | 55  | 42  | 34  | 41  | 34  | 28  | 26  | 26  |
| 10  | 53           | 39  | 31  | 26  | 51  | 39  | 31  | 38  | 31  | 26  | 24  | 24  |

## Avg. Luminance (cd/m2)

| Vertical Angle | Horizontal Angle |      |      |
|----------------|------------------|------|------|
|                | 0                | 45   | 90   |
| 55             | 7735             | 7679 | 7596 |
| 65             | 7299             | 7186 | 7111 |
| 75             | 6328             | 6205 | 6144 |
| 85             | 3831             | 3649 | 3649 |

## Electrical Specifications

|  |       |       |
|--|-------|-------|
| <b>Input Voltage</b>   | 120V  | 277V  |
| <b>Input Power</b>   | 27.7W | 27.7W |
| <b>Input Current</b>   | 0.23A | 0.11A |
| <b>Power Factor</b>  | 0.983 | 0.878 |
| <b>Total Harm. Distortion</b>  | 16.5% | 19.3% |
| Tested values – contact technical support for rated values.<br>Off-state power zero unless certain controls are specified. |       |       |

# TRUGROOVE FLAT CORNER DEFINITION LED

## Modules & Runs

### TruGroove LED Corners nominal sizes

2ft x 2ft 90° flat lit corner unit\*

2ft x 2ft 90° outside lit corner unit

Inside 90° joiner bracket

\*Note: Asymmetric flat corners are available with either an inner or an outer light throw (into the bend or away from it). Please provide details when ordering.

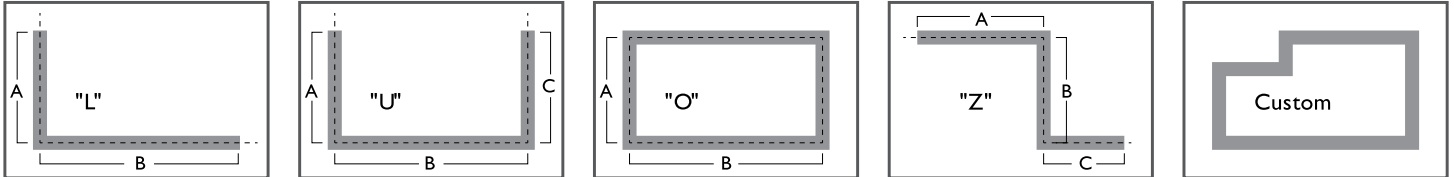
Flush lens trimless corners can be installed in either the wall or ceiling.

Refer to module size details below for actual dimensions e.g. trim. T-grid corner units are 2' on-center, so extend past the T-bar when combined with standard 2', 4' & 8' modules.

Please provide pattern drawings or sketches with dimensions based on lens centerlines.

To specify continuous straight runs, refer to TruGroove Continuous data sheets.

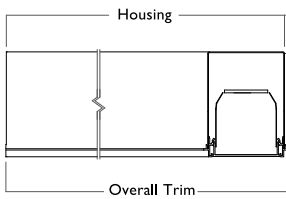
### Flat Patterns – with Flat Corners



## Module Dimensions

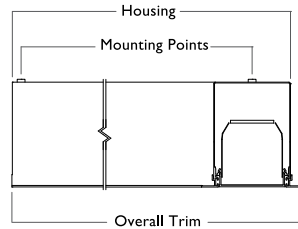
### Flat 90° Lit Corner Units

#### T-Grid



Side Views

#### Drywall



| Nominal length | Housing     | Lens aperture | Mounting points | Trim – T-Grid | Trim – Drywall Trimless | Trim – Drywall Trim |
|----------------|-------------|---------------|-----------------|---------------|-------------------------|---------------------|
| 2 x 2ft Flat   | 25.7"/653mm | N / A         | 23.6"/600mm     | 25.9"/658mm   | 27.1"/689mm             | 26.3"/667mm         |

# TRUGROOVE FLAT CORNER DEFINITION LED

## Options and Details



\* Compatible with TechZone™ 4" Ceiling Grid

## Trim Views

### Flush lens



Drywall Trimless



Drywall Trim



T-grid

### Housing

Die-formed 20 gauge cold-rolled steel. Multiple upper wire entrances available for continuous row mounting of fixtures.

### Weight

Maximum 3.5lb/ft.

### Optical System

Performance version: White light emitted from the LED sources is internally reflected and laterally redirected by a biconvex lens. Light is then reflected by Miro Silver panels and exits through the optical lens assembly. This assembly contains acrylic extrusion profiles to retain a layer of MesoOptics film, creating both an uninterrupted continuum of light and an optical batwing distribution.

Definition version: Light passes through a diffuse white acrylic lens to deliver a highly uniform luminous continuum.

### Standard Driver

Dimming: 0-10V, 5-100%. Output is Class 2 rated.

### Lumen Maintenance

At an ambient temperature of 25°C in non-insulated contact applications, the LED lumen maintenance expectation for each lumen package is:

K: L<sub>80</sub> (12k) 71,000 hrs

G: L<sub>80</sub> (12k) 68,000 hrs

E: L<sub>80</sub> (12k) 54,000 hrs

### Mounting

Mounting brackets on housing sides support T-Grid installation. 1/16" diameter aircraft cable with self-locking, tamper-resistant, miniature cable gripper provides vertical adjustment for drywall. Aircraft cable, crimp and gripper independently tested to meet stringent safety requirements.

### Joints

Self-aligning joining system with hands-free pre-joining wire access.

### Electrical

Factory pre-wired to section ends with quick-wire connectors.

### Approvals

Certified to UL, CSA and IES standards. Insulation Contact (IC) rated.

### Finish

Extruded aluminum trim and die-cast endplates coated with electrostatically applied and thermally cured polyester powder coat paint finish.

### Environment

Rated for dry or damp locations in operating ambient temperatures 0-40°C (32-104°F). Certain luminaire components may be adversely affected by contaminants. Damage caused by sulfur, chlorine, petroleum based solutions or other contaminants are not covered under warranty.

Due to continuing product improvements, Philips Ledalite reserves the right to change the specifications without notice.



© 2014 Koninklijke Philips N.V. All rights reserved.  
Specifications are subject to change without notice.  
[www.philips.com/luminaires](http://www.philips.com/luminaires)

TruGrvCnrFlatDefn\_35K22lm\_L 08.17 page 4 of 4

Philips Lighting  
North America Corporation  
200 Franklin Square Drive  
Somerset, NJ 08873  
Phone: 855-486-2216