

Transforming light into an element of design

TRUGROOVE FLAT CORNER DEFINITION LED



DIRECT DEFINITION, FLUSH SILK LENS
1500 lm/4ft, Flush Silk
3500K

Project:

Spec Type:

Catalog No: 39A0LBKL

Qty

Line Notes:



Ordering guide

| Product Type | Source | Color Temp * | Lumens * | Optics | Housing | Ceiling / Trim | Run Length | Wiring † | Voltage | Driver |
|-----------------------------|--------|-------------------------------|---|---|--------------------------------|---|------------|--|----------------------------|--|
| 39A0 | L | B | K | L | S | | | | | |
| TruGroove Definition LED | L LED | A 4000K B 3500K C 3000K | E 3000 lm/4ft G 2200 lm/4ft K 1500 lm/4ft | L Flush Silk Lens M Regressed Silk Lens | S Standard C Chicago Plenum | 1 T-Grid 3 Drywall Trimless 4 Drywall Trim 5 Armstrong Formations | 22 2x2 | 7 1 cct Dimming M 1 cct Dimming + EM Wiring N 1 cct Dimming + EM Batt. Pack 1 1 cct 3 1 cct + EM/NL Wiring 5 1 cct + EM Batt. Pack B 2 cct A/B | 1 120V 2 277V 3 347V | E Philips Advance 0-10V <i>Other drivers available - consult your Philips representative</i> |

* Nominal values within a range. Consult photometry data for exact color temp, lumens & distribution.

† Not all wiring types are available with all configurations. Consult Philips Ledalite for a complete list of available options.

Mounting Hardware

Mount Type

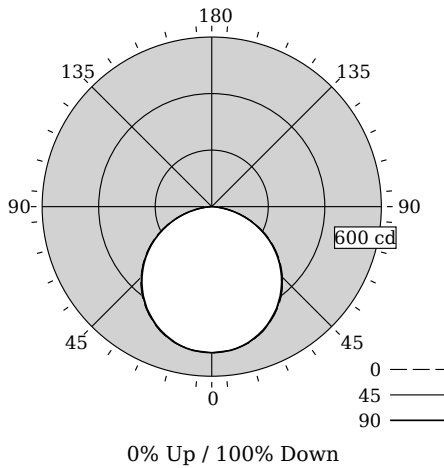
Consult separate mounting spec sheet for mount type options



TRUGROOVE FLAT CORNER DEFINITION LED

DIRECT DEFINITION, FLUSH SILK LENS

Photometry



| | |
|---|--------------------------|
| Total Output | 1502 lm |
| Efficacy | 80.8 lm/W |
| CCT | 3479K |
| CRI | 83 |
| Distribution | 0% Up / 100% Down |
| Spacing Criteria (0/90/180°) | 1.27/1.26/NA |
| Meets RP-1-12 recommendations for VDT-Critical spaces | |

Values per straight 4ft unit

Fixture photometry has been conducted in accordance with IESNA LM-79-08

IES files for this and other photometric options can be downloaded online at www.lightingproducts.philips.com

Candela Distribution

| Vertical Angle | Horizontal Angle | | | | Zonal Lumens |
|----------------|------------------|------|-----|------|--------------|
| | 0 | 22.5 | 45 | 67.5 | |
| 0 | 517 | 517 | 517 | 517 | 0 |
| 5 | 515 | 512 | 514 | 516 | 49 |
| 15 | 500 | 495 | 499 | 499 | 141 |
| 25 | 466 | 462 | 465 | 463 | 214 |
| 35 | 417 | 414 | 415 | 414 | 259 |
| 45 | 354 | 352 | 353 | 350 | 271 |
| 55 | 279 | 278 | 277 | 274 | 247 |
| 65 | 194 | 193 | 191 | 189 | 189 |
| 75 | 103 | 102 | 101 | 100 | 107 |
| 85 | 21 | 21 | 20 | 21 | 26 |
| 90 | 0 | 0 | 0 | 0 | 0 |
| 95 | 0 | 0 | 0 | 0 | 0 |
| 105 | 0 | 0 | 0 | 0 | 0 |
| 115 | 0 | 0 | 0 | 0 | 0 |
| 125 | 0 | 0 | 0 | 0 | 0 |
| 135 | 0 | 0 | 0 | 0 | 0 |
| 145 | 0 | 0 | 0 | 0 | 0 |
| 155 | 0 | 0 | 0 | 0 | 0 |
| 165 | 0 | 0 | 0 | 0 | 0 |
| 175 | 0 | 0 | 0 | 0 | 0 |
| 180 | 0 | 0 | 0 | 0 | 0 |

Coefficients of Utilization (%)

| RCR | Ceiling/Wall | | | | | | | | | | | |
|-----|--------------|-----|-----|-----|-----|-----|-----|-----|-----|-----|-----|-----|
| | 80 | | | 70 | | | 50 | | | 0 | | |
| | 70 | 50 | 30 | 10 | 70 | 50 | 30 | 10 | 50 | 30 | 10 | 0 |
| 0 | 119 | 119 | 119 | 119 | 116 | 116 | 116 | 111 | 111 | 111 | 111 | 100 |
| 1 | 109 | 104 | 100 | 96 | 106 | 102 | 98 | 97 | 94 | 91 | 84 | 84 |
| 2 | 99 | 90 | 83 | 78 | 96 | 88 | 82 | 85 | 80 | 75 | 69 | 69 |
| 3 | 90 | 79 | 71 | 64 | 87 | 78 | 70 | 75 | 68 | 63 | 58 | 58 |
| 4 | 82 | 70 | 61 | 54 | 80 | 69 | 60 | 66 | 59 | 53 | 50 | 50 |
| 5 | 76 | 63 | 53 | 47 | 73 | 61 | 53 | 59 | 52 | 46 | 43 | 43 |
| 6 | 70 | 56 | 47 | 41 | 68 | 55 | 47 | 53 | 46 | 40 | 37 | 37 |
| 7 | 65 | 51 | 42 | 36 | 63 | 50 | 42 | 49 | 41 | 35 | 33 | 33 |
| 8 | 60 | 46 | 38 | 32 | 59 | 46 | 38 | 44 | 37 | 32 | 29 | 29 |
| 9 | 56 | 43 | 34 | 29 | 55 | 42 | 34 | 41 | 34 | 28 | 26 | 26 |
| 10 | 53 | 39 | 31 | 26 | 51 | 39 | 31 | 38 | 31 | 26 | 24 | 24 |

Avg. Luminance (cd/m2)

| Vertical Angle | Horizontal Angle | | |
|----------------|------------------|------|------|
| | 0 | 45 | 90 |
| 55 | 5345 | 5307 | 5249 |
| 65 | 5044 | 4966 | 4914 |
| 75 | 4373 | 4288 | 4246 |
| 85 | 2648 | 2522 | 2522 |

LED lighting facts
A Program of the U.S. DOE

Light Output (Lumens) **1502**

Watts **18.6**

Lumens per Watt (Efficacy) **80**

Color Accuracy
Color Rendering Index (CRI) **83**

Light Color
Correlated Color Temperature (CCT) **3479 (Bright White)**

2700K 3000K 4500K 6500K

Warranty** **Yes**

All results, except LED Lumen Maintenance, are according to IESNA LM-79-2008: Approved Method for the Electrical and Photometric Testing of Solid-State Lighting. The U.S. Department of Energy (DOE) verifies product test data and results.

** See www.lightingfacts.com/products for details.

Registration Number: F46Z-RWP1J4 (5/28/2014)
Model Number: 39wDLKLLx04
Type: Luminaire - Linear

Electrical Specifications

| | | |
|--|--------------|--------------|
| Input Voltage | 120V | 277V |
| Input Power | 18.6W | 19.0W |
| Input Current | 0.16A | 0.09A |
| Power Factor | 0.971 | 0.787 |
| Total Harm. Distortion | 20.3% | 18.5% |
| Tested values – contact technical support for rated values. Off-state power zero unless certain controls are specified. | | |

TRUGROOVE FLAT CORNER DEFINITION LED

Modules & Runs

TruGroove LED Corners nominal sizes

2ft x 2ft 90° flat lit corner unit*

2ft x 2ft 90° outside lit corner unit

Inside 90° joiner bracket

*Note: Asymmetric flat corners are available with either an inner or an outer light throw (into the bend or away from it). Please provide details when ordering.

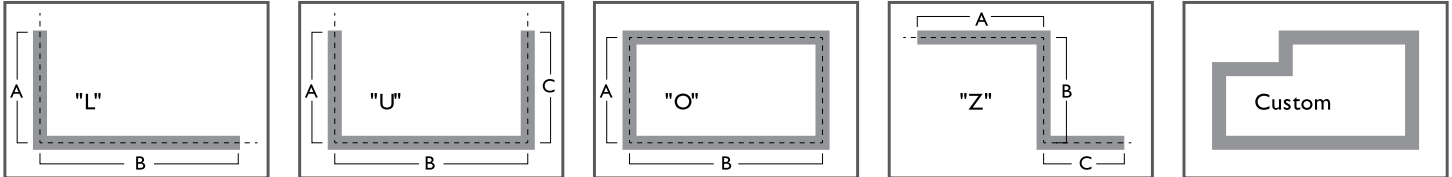
Flush lens trimless corners can be installed in either the wall or ceiling.

Refer to module size details below for actual dimensions e.g. trim. T-grid corner units are 2' on-center, so extend past the T-bar when combined with standard 2', 4' & 8' modules.

Please provide pattern drawings or sketches with dimensions based on lens centerlines.

To specify continuous straight runs, refer to TruGroove Continuous data sheets.

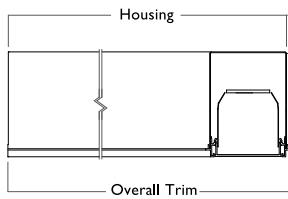
Flat Patterns – with Flat Corners



Module Dimensions

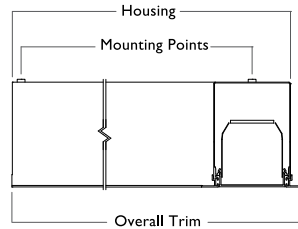
Flat 90° Lit Corner Units

T-Grid



Side Views

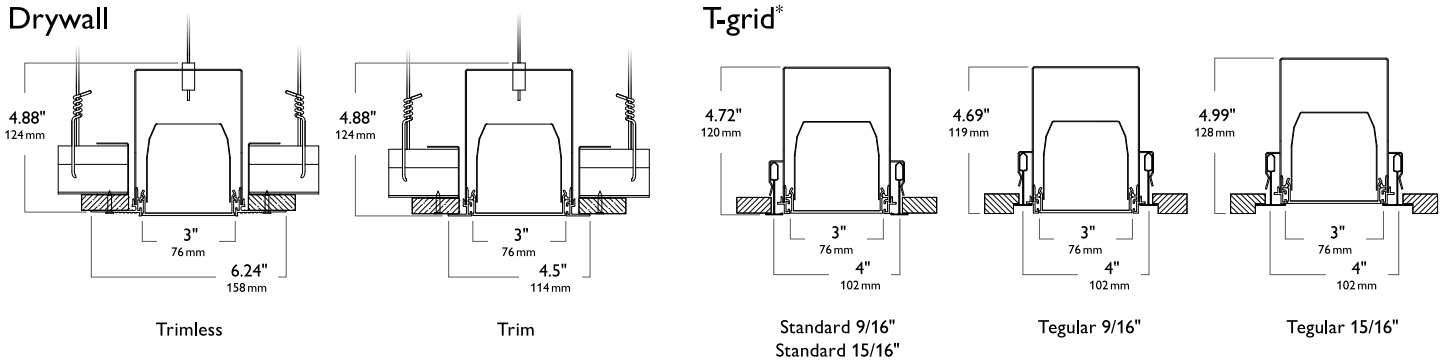
Drywall



| Nominal length | Housing | Lens aperture | Mounting points | Trim – T-Grid | Trim – Drywall Trimless | Trim – Drywall Trim |
|----------------|-------------|---------------|-----------------|---------------|-------------------------|---------------------|
| 2 x 2ft Flat | 25.7"/653mm | N/A | 23.6"/600mm | 25.9"/658mm | 27.1"/689mm | 26.3"/667mm |

TRUGROOVE FLAT CORNER DEFINITION LED

Options and Details



* Compatible with TechZone™ 4" Ceiling Grid

Trim Views

Flush lens



Drywall Trimless



Drywall Trim



T-grid

Housing

Die-formed 20 gauge cold-rolled steel. Multiple upper wire entrances available for continuous row mounting of fixtures.

Weight

Maximum 3.5lb/ft.

Optical System

Performance version: White light emitted from the LED sources is internally reflected and laterally redirected by a biconvex lens. Light is then reflected by Miro Silver panels and exits through the optical lens assembly. This assembly contains acrylic extrusion profiles to retain a layer of MesoOptics film, creating both an uninterrupted continuum of light and an optical batwing distribution.

Definition version: Light passes through a diffuse white acrylic lens to deliver a highly uniform luminous continuum.

Standard Driver

Dimming: 0-10V, 5-100%. Output is Class 2 rated.

Lumen Maintenance

At an ambient temperature of 25°C in non-insulated contact applications, the LED lumen maintenance expectation for each lumen package is:

K: L₈₀ (12k) 71,000 hrs

G: L₈₀ (12k) 68,000 hrs

E: L₈₀ (12k) 54,000 hrs

Mounting

Mounting brackets on housing sides support T-Grid installation. 1/16" diameter aircraft cable with self-locking, tamper-resistant, miniature cable gripper provides vertical adjustment for drywall. Aircraft cable, crimp and gripper independently tested to meet stringent safety requirements.

Joints

Self-aligning joining system with hands-free pre-joining wire access.

Electrical

Factory pre-wired to section ends with quick-wire connectors.

Approvals

Certified to UL, CSA and IES standards. Insulation Contact (IC) rated.

Finish

Extruded aluminum trim and die-cast endplates coated with electrostatically applied and thermally cured polyester powder coat paint finish.

Environment

Rated for dry or damp locations in operating ambient temperatures 0-40°C (32-104°F). Certain luminaire components may be adversely affected by contaminants. Damage caused by sulfur, chlorine, petroleum based solutions or other contaminants are not covered under warranty.

Due to continuing product improvements, Philips Ledalite reserves the right to change the specifications without notice.



© 2014 Koninklijke Philips N.V. All rights reserved.
Specifications are subject to change without notice.
www.philips.com/luminaires

TruGrvCnrFlatDefn_35K15Im_L 08.17 page 4 of 4

Philips Lighting
North America Corporation
200 Franklin Square Drive
Somerset, NJ 08873
Phone: 855-486-2216