

# Transforming light into an element of design

## TRUGROOVE FLAT CORNER DEFINITION LED



DIRECT DEFINITION, REGRESSED SILK LENS  
2200 lm/4ft, Regress Silk  
3000K

**Project:**

**Spec Type:**

**Catalog No:** 39A0LCGM

**Qty**

**Line Notes:**



### Ordering guide

Product Type	Source	Color Temp *	Lumens *	Optics	Housing	Ceiling / Trim	Run Length	Wiring †	Voltage	Driver
39A0	L	C	G	M	S					
TruGroove Definition LED	L LED	A 4000K B 3500K C 3000K	E 3000 lm/4ft G 2200 lm/4ft K 1500 lm/4ft	L Flush Silk Lens M Regressed Silk Lens	S Standard C Chicago Plenum	1 T-Grid 3 Drywall Trimless 4 Drywall Trim  5 Armstrong Formations	22 2x2	7 1 cct Dimming M 1 cct Dimming + EM Wiring N 1 cct Dimming + EM Batt. Pack 1 1 cct 3 1 cct + EM/NL Wiring 5 1 cct + EM Batt. Pack B 2 cct A/B	1 120V 2 277V 3 347V	E Philips Advance 0-10V  <i>Other drivers available - consult your Philips representative</i>

\* Nominal values within a range. Consult photometry data for exact color temp, lumens & distribution.

† Not all wiring types are available with all configurations. Consult Philips Ledalite for a complete list of available options.

### Mounting Hardware

Mount Type

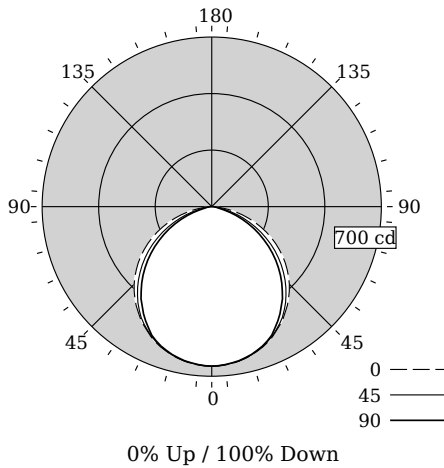
Consult separate mounting spec sheet for mount type options



# TRUGROOVE FLAT CORNER DEFINITION LED

DIRECT DEFINITION, REGRESSED SILK LENS

## Photometry



<b>Total Output</b>	<b>1762 lm</b>
<b>Efficacy</b>	<b>62.5 lm/W</b>
<b>CCT</b>	<b>3084K</b>
<b>CRI</b>	<b>82</b>
<b>Distribution</b>	<b>0% Up / 100% Down</b>
<b>Spacing Criteria (0/90/180°)</b>	<b>1.27/1.23/NA</b>
Meets RP-1-12 recommendations for VDT-Normal spaces	

Values per straight 4ft unit

Fixture photometry has been conducted in accordance with IESNA LM-79-08

IES files for this and other photometric options can be downloaded online at [www.lightingproducts.philips.com](http://www.lightingproducts.philips.com)

## Candela Distribution

Vertical Angle	Horizontal Angle				Zonal Lumens
	0	22.5	45	67.5	
0	658	658	658	658	0
5	656	654	654	656	62
15	635	628	633	632	178
25	593	587	590	587	271
35	530	524	521	507	324
45	453	446	428	410	329
55	358	347	319	296	286
65	249	229	199	175	201
75	131	110	81	59	93
85	27	14	11	11	18
90	0	0	0	0	0
95	0	0	0	0	0
105	0	0	0	0	0
115	0	0	0	0	0
125	0	0	0	0	0
135	0	0	0	0	0
145	0	0	0	0	0
155	0	0	0	0	0
165	0	0	0	0	0
175	0	0	0	0	0
180	0	0	0	0	0

## Coefficients of Utilization (%)

RCR	Ceiling		80				70				50				30				10			
	Wall	70	50	30	10	70	50	30	10	50	30	10	50	30	10	0	0	0	0			
0	119	119	119	119	116	116	116	111	111	111	111	111	111	111	111	100	0	0	0	0		
1	109	105	101	97	107	103	99	98	95	93	85	85	85	85	85	85	85	85	85	85		
2	100	92	85	80	97	90	84	87	82	77	72	72	72	72	72	72	72	72	72	72		
3	91	81	73	67	89	79	72	77	70	65	61	61	61	61	61	61	61	61	61	61		
4	84	72	63	57	81	71	63	68	61	56	52	52	52	52	52	52	52	52	52	52		
5	77	64	56	49	75	63	55	61	54	48	45	45	45	45	45	45	45	45	45	45		
6	71	58	49	43	69	57	49	55	48	42	40	40	40	40	40	40	40	40	40	40		
7	66	53	44	38	64	52	44	50	43	38	35	35	35	35	35	35	35	35	35	35		
8	61	48	40	34	60	47	39	46	39	34	31	31	31	31	31	31	31	31	31	31		
9	57	44	36	31	56	44	36	42	35	30	28	28	28	28	28	28	28	28	28	28		
10	54	41	33	28	53	40	33	39	32	27	26	26	26	26	26	26	26	26	26	26		

## Avg. Luminance (cd/m<sup>2</sup>)

Vertical Angle	Horizontal Angle		
	0	45	90
55	6857	6107	5491
65	6470	5162	4326
75	5579	3443	2196
85	3349	1410	1410

**LED lighting facts**  
A Program of the U.S. DOE

**Light Output (Lumens)** 1762  
**Watts** 28.2  
**Lumens per Watt (Efficacy)** 62

**Color Accuracy**  
Color Rendering Index (CRI) 82

**Light Color**  
Correlated Color Temperature (CCT) 3084 (Bright White)

Warm White 2700K | Bright White 3000K | Daylight 4500K | 6500K

All results are according to IESNA LM-79-08: Approved Method for the Electrical and Photometric Testing of Solid-State Lighting. The U.S. Department of Energy (DOE) verifies product test data and results.

Visit [www.lightingfacts.com](http://www.lightingfacts.com) for the Label Reference Guide.

Registration Number: F46Z-QXXXXTV (3/12/2014)  
Model Number: 39xLOGMxx04  
Type: Luminaire - Linear

## Electrical Specifications

<b>Input Voltage</b>	<b>120V</b>	<b>277V</b>
<b>Input Power</b>	<b>28.2W</b>	<b>28.2W</b>
<b>Input Current</b>	<b>0.24A</b>	<b>0.12A</b>
<b>Power Factor</b>	<b>0.983</b>	<b>0.878</b>
<b>Total Harm. Distortion</b>	<b>16.5%</b>	<b>19.3%</b>
Tested values – contact technical support for rated values. Off-state power zero unless certain controls are specified.		

# TRUGROOVE FLAT CORNER DEFINITION LED

## Modules & Runs

### TruGroove LED Corners nominal sizes

2ft x 2ft 90° flat lit corner unit\*

2ft x 2ft 90° outside lit corner unit

Inside 90° joiner bracket

\*Note: Asymmetric flat corners are available with either an inner or an outer light throw (into the bend or away from it). Please provide details when ordering.

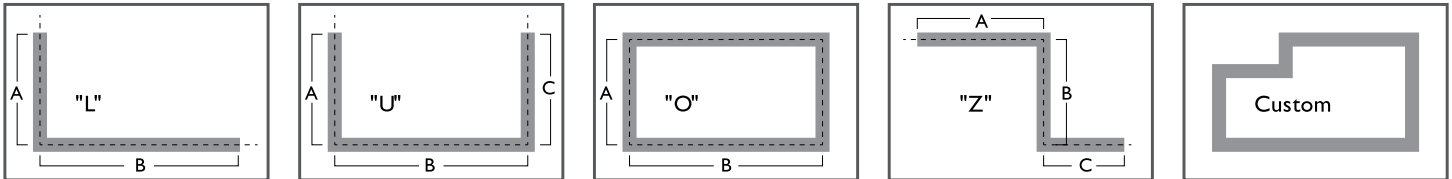
Regress lens corners can only be installed in the ceiling (not in wall).

Refer to module size details below for actual dimensions e.g. trim. T-grid corner units are 2' on-center, so extend past the T-bar when combined with standard 2', 4' & 8' modules.

Please provide pattern drawings or sketches with dimensions based on lens centerlines.

To specify continuous straight runs, refer to TruGroove Continuous data sheets.

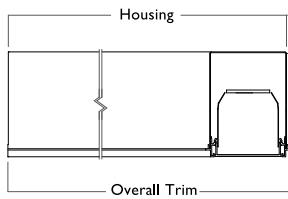
### Flat Patterns – with Flat Corners



## Module Dimensions

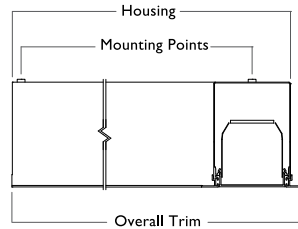
### Flat 90° Lit Corner Units

#### T-Grid



Side Views

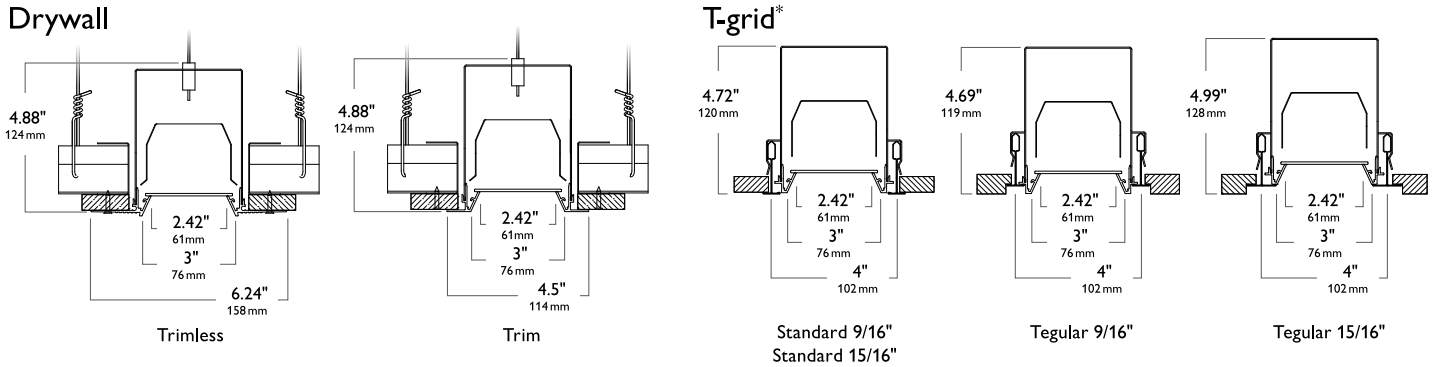
#### Drywall



Nominal length	Housing	Lens aperture	Mounting points	Trim – T-Grid	Trim – Drywall Trimless	Trim – Drywall Trim
2 x 2ft Flat	25.7"/653mm	N / A	23.6"/600mm	25.9"/658mm	27.1"/689mm	26.3"/667mm

# TRUGROOVE FLAT CORNER DEFINITION LED

## Options and Details



\* Compatible with TechZone™ 4" Ceiling Grid

## Trim Views

### Regressed lens



Drywall Trimless



Drywall Trim



T-grid

### Housing

Die-formed 20 gauge cold-rolled steel. Multiple upper wire entrances available for continuous row mounting of fixtures.

### Weight

Maximum 3.5lb/ft.

### Optical System

Performance version: White light emitted from the LED sources is internally reflected and laterally redirected by a biconvex lens. Light is then reflected by Miro Silver panels and exits through the optical lens assembly. This assembly contains acrylic extrusion profiles to retain a layer of MesoOptics film, creating both an uninterrupted continuum of light and an optical batwing distribution.

Definition version: Light passes through a diffuse white acrylic lens to deliver a highly uniform luminous continuum.

### Standard Driver

Dimming: 0-10V, 5-100%. Output is Class 2 rated.

### Lumen Maintenance

At an ambient temperature of 25°C in non-insulated contact applications, the LED lumen maintenance expectation for each lumen package is:

K: L<sub>80</sub> (12k) 71,000 hrs

G: L<sub>80</sub> (12k) 68,000 hrs

E: L<sub>80</sub> (12k) 54,000 hrs

### Mounting

Mounting brackets on housing sides support T-Grid installation. 1/16" diameter aircraft cable with self-locking, tamper-resistant, miniature cable gripper provides vertical adjustment for drywall. Aircraft cable, crimp and gripper independently tested to meet stringent safety requirements.

### Joints

Self-aligning joining system with hands-free pre-joining wire access.

### Electrical

Factory pre-wired to section ends with quick-wire connectors.

### Approvals

Certified to UL, CSA and IES standards. Insulation Contact (IC) rated.

### Finish

Extruded aluminum trim and die-cast endplates coated with electrostatically applied and thermally cured polyester powder coat paint finish.

### Environment

Rated for dry or damp locations in operating ambient temperatures 0-40°C (32-104°F). Certain luminaire components may be adversely affected by contaminants. Damage caused by sulfur, chlorine, petroleum based solutions or other contaminants are not covered under warranty.

Due to continuing product improvements, Philips Ledalite reserves the right to change the specifications without notice.



© 2014 Koninklijke Philips N.V. All rights reserved.  
Specifications are subject to change without notice.  
[www.philips.com/luminaires](http://www.philips.com/luminaires)

TruGrvCnrFlatDefn\_30K22Im\_M 08.17 page 4 of 4

Philips Lighting  
North America Corporation  
200 Franklin Square Drive  
Somerset, NJ 08873  
Phone: 855-486-2216