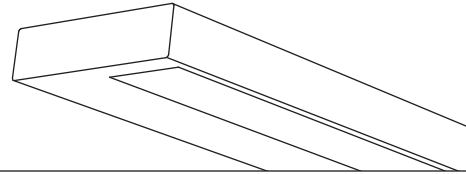


# Sync™



Wall  
 Direct/Indirect  
 1 T8



Project Name

Spec Type

Notes

## Order Guide

Some combinations of product options may not be available. Consult factory for assistance with your specification.


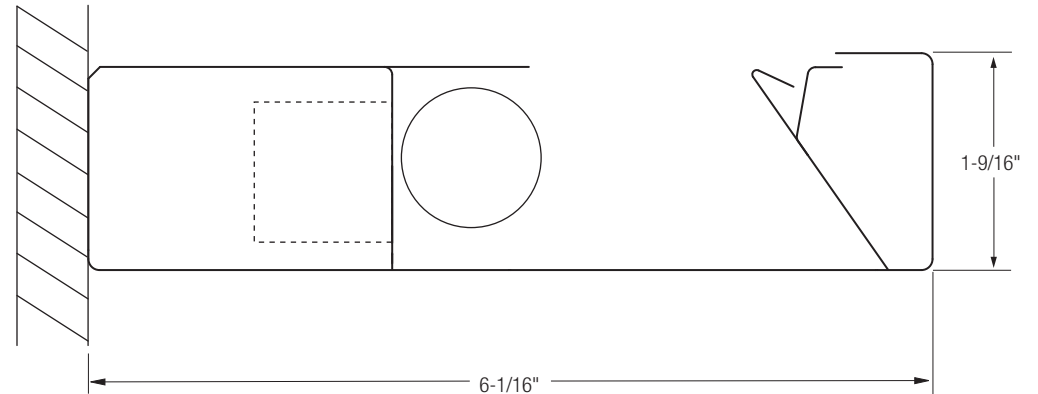
7408	T01			-		-		-	
Product Series & Type Sync Wall	Lamping 1 T8	Lower Optics Q MesoOptics® Lens	Upper Optics N None	Run Length <i>Enter the total run length in feet (4ft increments)</i>	Wiring 1 1 cct 3 1 cct w/ Emergency cct 5 1 cct w/ Battery Pack	Voltage 1 120V 2 277V	Ballast E Standard Ballast	Color & Finish W Standard White C Factory Color X Custom Color	
				See details on reverse	Consult website for complete list of standard wiring options		Consult website for ballast manufacturer information	Consult website for color and finish options	

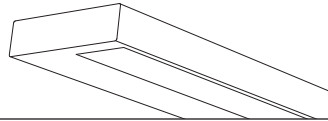
## Upgrades & Accessories

Please indicate with check mark.

Lamps Included

Dust Cover



Photometry Optics QN MesoOptics® Lens

Report Summary

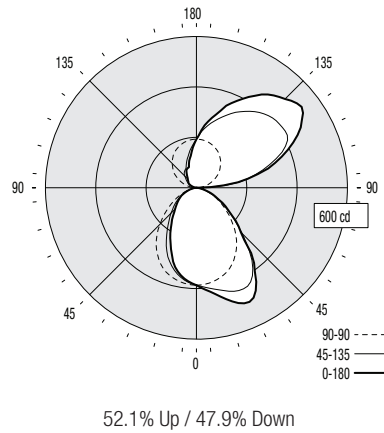
Report # 9901159  
 Filename 7408T01QN.ies  
 Efficiency 64.4%

Peak Candela Value\* 527 @ 128°  
 Peak to Zenith Ratio\* 2.7 : 1  
\* Between 90-180° vertical angle

Meets RP-1-04 recommendations for VDT-Intensive spaces

Candela Distribution

Vertical Angle	Horizontal Angle					Zonal Lumens
	0	22.5	45	67.5	90	
0	387	387	387	387	387	
5	406	397	384	376	373	22
15	458	422	368	339	326	91
25	500	443	335	278	243	154
35	404	391	279	202	172	183
45	250	258	205	143	120	166
55	154	149	133	98	87	126
65	84	77	76	60	57	83
75	33	31	30	26	27	42
85	3	4	3	5	6	10
90	0	0	0	0	0	
95	110	122	18	5	4	29
105	295	273	47	18	13	114
115	424	391	79	33	29	170
125	517	417	110	47	39	191
135	498	405	138	65	48	176
145	452	370	160	81	67	144
155	380	325	175	96	85	107
165	301	274	187	128	111	67
175	229	223	192	170	161	29
180	193	193	193	193	193	



Coefficients of Utilization (%)

Ceiling: Wall:	80				70				50				0
	70	50	30	10	70	50	30	10	50	30	10	0	
0 RCR	68	68	68	68	63	63	63	52	52	52	29		
1	63	60	58	56	57	55	53	46	45	43	25		
2	57	53	49	46	52	49	45	41	39	37	22		
3	52	47	42	39	48	43	39	36	33	31	19		
4	48	41	37	33	44	38	34	32	29	27	16		
5	44	37	32	28	40	34	30	29	26	23	14		
6	41	33	28	25	37	31	26	26	23	20	13		
7	38	30	25	22	35	28	24	24	20	18	11		
8	35	27	22	19	32	25	21	22	18	16	10		
9	33	25	20	17	30	23	19	20	17	14	9		
10	30	23	18	15	28	21	17	18	15	13	8		

Based on a floor reflectance of 0.2

Avg. Luminance (cd/m<sup>2</sup>)

Vertical Angle	Horizontal Angle		
	0	45	90
55	3283	2835	1855
65	2430	2199	1649
75	1559	1417	1276
85	421	421	842

IES files for this and other photometric options can be downloaded online at [www.ledalite.com](http://www.ledalite.com)

Additional Information

Modules

Module length excludes endcaps.

Module	Nominal Length
4ft	4' 0"
8ft	8' 0"

Refer to installation instructions for exact mount spacing

Endcap



Mounting Hardware

- Mounts variable within 2"-5" of end or joint. On 8ft module, additional mount to be located within 2"-5" of center of module.
- Maximum distance between mounts is 48". **Note:** Fixture is flush with wall.

For further details, refer to installation instructions online at [www.ledalite.com](http://www.ledalite.com)

Specifications

Due to continuing product improvements, Ledalite reserves the right to change specifications without notice.

Housing

Die-formed 18 gauge cold-rolled steel.

Weight

2.4 lb/ft.

Optical System

High efficiency optical system providing an optimal asymmetric direct/indirect distribution. Lower optics consist of a flat acrylic panel with a layer of MesoOptics® film that provides a controlled distribution in the lower hemisphere.

Endcaps

Die-cast endcaps.

Joints

Self-aligning joining system with hands-free pre-joining wire access.

Mounting

Fixture is mounted flush to wall using hidden wall brackets. Brackets attach to existing structure, variable within 2"-5" of end or joint.

Electrical

Factory pre-wired to section ends with quick-wire connectors.

Ballast

Electronic. Supplied with pre-installed ballast disconnects as per changes to the National Electrical Code.

Approvals

Certified to UL and CSA standards.

Finish

High-quality powder coat. Available in Ledalite Standard White (textured matte finish), and a selection of other factory and customer-specified colors. Consult factory for details.