

Sync™

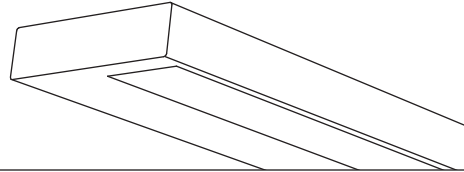


Project Name

Spec Type

Notes

Wall
 Direct/Indirect
 1 T5HO



Order Guide

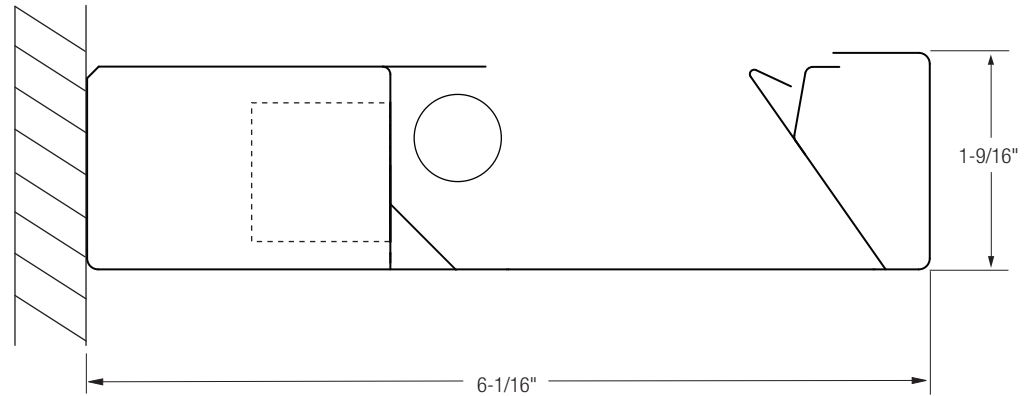
Some combinations of product options may not be available. Consult factory for assistance with your specification.

7408	H01			-		-		-	
Product Series & Type Sync Wall	Lamping 1 T5HO	Lower Optics Q MesoOptics® Lens	Upper Optics N None	Run Length <i>Enter the total run length in feet (4ft increments)</i>	Wiring 1 1 cct 3 1 cct w/ Emergency cct 5 1 cct w/ Battery Pack 7 1 cct Dimming	Voltage 1 120V 2 277V 3 347V	Ballast E Standard Ballast	Color & Finish W Standard White C Factory Color X Custom Color	
				See details on reverse	Consult website for complete list of standard wiring options		Consult website for ballast manufacturer information	Consult website for color and finish options	

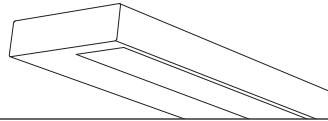
Upgrades & Accessories

Please indicate with check mark.

Lamps Included



Wall
Direct/Indirect
1 T5HO



Photometry Optics QN MesoOptics® Lens

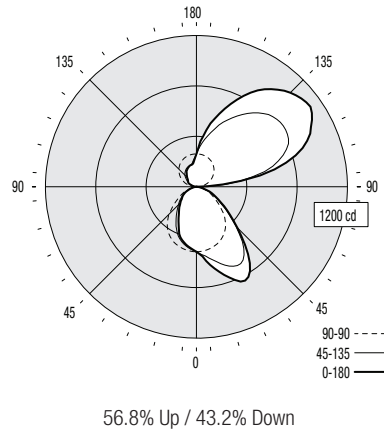
Report Summary

Report # 9901168 Peak Candela Value* 1107 @ 125°
 Filename 7408H01QN.ies Peak to Zenith Ratio* 4.3 : 1
 Efficiency 72.2% * Between 90-180° vertical angle

Meets RP-1-04 recommendations for VDT-Intensive spaces

Candela Distribution

Vertical Angle	Horizontal Angle					Zonal Lumens
	0	22.5	45	67.5	90	
0	516	516	516	516	516	
5	555	543	513	498	491	29
15	698	615	496	451	438	126
25	831	696	462	373	334	223
35	740	660	401	279	242	284
45	459	445	310	202	180	265
55	269	245	194	145	135	199
65	151	134	117	93	89	136
75	59	56	45	40	35	70
85	7	5	4	4	4	15
90	0	0	0	0	0	0
95	212	245	32	10	9	59
105	738	628	79	41	35	256
115	998	807	123	67	69	364
125	1107	843	163	96	81	383
135	1055	811	198	129	105	342
145	945	710	225	153	135	272
155	762	584	243	170	162	188
165	558	446	255	178	177	107
175	361	321	260	222	208	42
180	260	260	260	260	260	



Coefficients of Utilization (%)

Ceiling: Wall:	80				70				50				0
	70	50	30	10	70	50	30	10	50	30	10	0	
0 RCR	76	76	76	76	69	69	69	56	56	56	28		
1	69	66	64	61	63	60	58	49	48	47	25		
2	63	58	54	50	57	53	50	44	41	39	21		
3	58	51	46	42	52	47	43	39	36	33	18		
4	53	45	40	36	48	42	37	34	31	28	16		
5	49	40	35	31	44	37	32	31	27	24	14		
6	45	36	31	27	41	33	28	28	24	21	12		
7	41	33	27	23	38	30	25	25	21	19	11		
8	38	30	24	20	35	27	22	23	19	16	10		
9	36	27	22	18	32	25	20	21	17	15	9		
10	33	25	20	16	30	23	18	19	16	13	8		

Based on a floor reflectance of 0.2

Avg. Luminance (cd/m²)

Vertical Angle	Horizontal Angle		
	0	45	90
55	5927	4275	2975
65	4516	3499	2661
75	2881	2197	1709
85	1015	580	580

IES files for this and other photometric options can be downloaded online at www.ledalite.com

Additional Information

Modules

Module length excludes endcaps.

Module	Nominal Length
4ft	3' 11"
8ft	7' 9"

Refer to installation instructions for exact mount spacing

Endcap



Mounting Hardware

- Mounts variable within 2"-5" of end or joint. On 8ft module, additional mount to be located within 2"-5" of center of module.
- Maximum distance between mounts is 48". **Note:** Fixture is flush with wall.

For further details, refer to installation instructions online at www.ledalite.com

Specifications

Due to continuing product improvements, Ledalite reserves the right to change specifications without notice.

Housing

Die-formed 18 gauge cold-rolled steel.

Weight

2.4 lb/ft.

Optical System

High efficiency optical system providing an optimal asymmetric direct/indirect distribution. Lower optics consist of a flat acrylic panel with a layer of MesoOptics® film that provides a controlled distribution in the lower hemisphere.

Endcaps

Die-cast endcaps.

Joints

Self-aligning joining system with hands-free pre-joining wire access.

Mounting

Fixture is mounted flush to wall using hidden wall brackets. Brackets attach to existing structure, variable within 2"-5" of end or joint.

Electrical

Factory pre-wired to section ends with quick-wire connectors.

Ballast

Electronic. Supplied with pre-installed ballast disconnects as per changes to the National Electrical Code.

Approvals

Certified to UL and CSA standards.

Finish

High-quality powder coat. Available in Ledalite Standard White (textured matte finish), and a selection of other factory and customer-specified colors. Consult factory for details.