

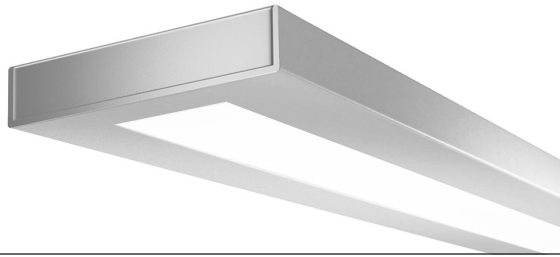
Sync Fluorescent

Suspended

Direct/Indirect

2 T5HO



Project Name

Spec Type

Notes

Order Guide

Some combinations of product options may not be available. Consult factory for assistance with your specification.

7406	H02			-		-		-	E	-		-	
Product Series & Type Direct/Indirect	Lamping 2 T5HO	Lower Optics Q MesoOptics Lens	Upper Optics N None G 80% Down Kit J 100% Down Kit	Run Length 04 4ft 08 8ft	Wiring 1 1 cct 2 2 cct 3 1 cct w/ Emergency cct 4 2 cct w/ Emergency cct 5 1 cct w/ Battery Pack 6 2 cct w/ Battery Pack 7 1 cct Dimming	Voltage 1 120V 2 277V 3 347V	Finish W White T Titanium Silver B Black C Custom Color	Controls DS Daylight Response Sensor	<p>E = Standard Ballast See reverse for details.</p> <p>For details visit ledalite.com/response</p>				
<p>Mounting Hardware</p> <p>Mount Type <input type="text"/></p> <p>Suspension Length <input type="text"/></p> <p>Consult separate mounting spec sheet for mount type options</p> <p>Enter distance from ceiling to top of fixture in inches</p>													

Note: Downlight kits change lumen output. See reverse for details.

Consult website for complete list of available wiring options

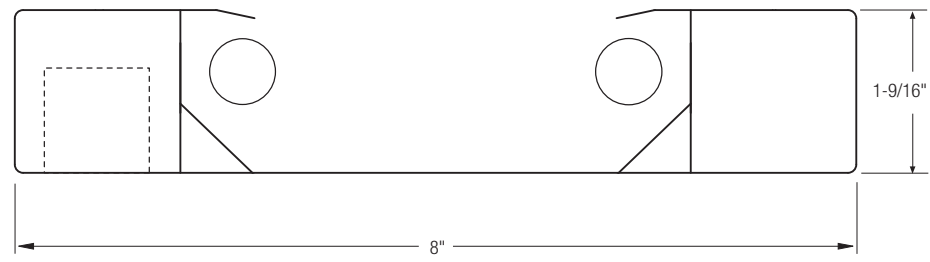
Upgrades & Accessories

Please indicate with check mark.

Lamps Included

Sculpted EndCap

Note: Some combinations of product options may not be available.



Sync Fluorescent

Suspended
Direct/Indirect
2 T5HO



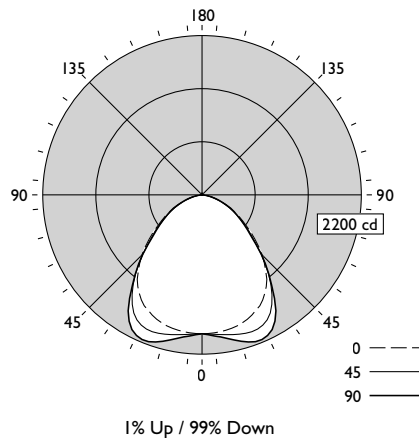
Photometry MesoOptics Lens with 100% Down Kit

Report No.	9901157	Input Watts	103 W
Efficiency	0.56%	Ballast Factor	1
Efficacy	48.7 lm/W	Peak/Zenith Ratio*	N/A:1
Total Lumens	5021 lm	Peak Candela Value*	N/A @ N/A
Rated Lamp Lumens	4500 lm	# of Lamps	2

None * Between 90-180° vertical angle

Candela Distribution

Vertical Angle	Horizontal Angle					Zonal Lumens
	0	22.5	45	67.5	90	
0	1919	1919	1919	1919	1919	
5	1913	1920	1934	1940	1957	185
15	1874	1914	1992	2056	2094	563
25	1759	1859	1986	2121	2143	909
35	1547	1648	1685	1826	1745	1055
45	1177	1211	1156	1203	1153	912
55	749	767	711	736	705	664
65	427	430	410	444	434	426
75	187	195	174	197	178	201
85	20	30	28	36	28	40
90	0	0	0	0	0	
95	5	6	8	6	5	6
105	7	8	9	8	7	8
115	8	10	9	9	9	9
125	9	12	12	11	11	10
135	10	14	13	13	14	10
145	11	16	15	16	17	9
155	12	14	20	20	21	8
165	12	12	15	21	22	5
175	12	12	12	12	12	1
180	13	13	13	13	13	



Spacing Criteria
1.28 @ 0°
1.4 @ 90°
N/A @ 180°

Coefficients of Utilization (%)

Ceiling:	80				70				50				0			
	70	50	30	10	70	50	30	10	50	30	10	0	50	30	10	0
0 RCR	66	66	66	66	65	65	65	62	62	62	55					
1	61	59	57	55	60	58	56	55	54	52	48					
2	56	52	49	46	55	51	48	49	46	44	41					
3	52	46	42	39	50	46	42	44	41	38	35					
4	48	42	37	34	46	41	37	39	36	33	31					
5	44	37	33	29	43	37	32	36	32	29	27					
6	41	34	29	26	40	33	29	32	28	25	24					
7	38	31	26	23	37	30	26	30	26	23	21					
8	35	28	24	21	35	28	24	27	23	20	19					
9	33	26	22	19	32	26	22	25	21	19	17					
10	31	24	20	17	30	24	20	23	19	17	16					

*Based on a floor reflectance of 0.2

Avg. Luminance (cd/m²)

Vertical Angle	Horizontal Angle		
	0	45	90
55	12119	11503	11395
65	9368	8992	9530
75	6695	6247	6369
85	2161	3023	2991

IES files for this and other photometric options can be downloaded online at ledalite.com

Additional Information

Modules

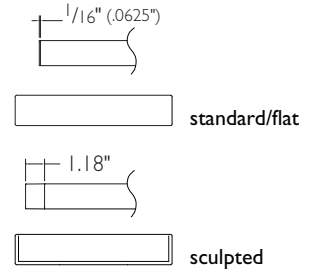
Module length excludes endcaps.
Nominal mount spacing for individually mounted modules.

Module	Mount Spacing*
4ft	4' 0"
8ft	8' 0"

* Refer to installation instructions for exact mount spacing

Endcap

Available in standard flat and sculpted versions.



Upper Optics



Switching Options

2 cct A/B switching (module to module)*

Cross-section view of distribution: Symmetric distribution. Every other lens is illuminated.

Bottom view of 8ft module:

2 cct left/right (L/R) switching

Cross-section view of distribution: Asymmetric distribution. Lenses are not evenly illuminated and ceiling distribution is uneven.

Bottom view of 8ft module:

1 cct step dimming*

Cross-section view of distribution: Symmetric distribution. Lenses are uniform and evenly illuminated.

Bottom view of 8ft module:

* consult factory for ordering information

Specifications

Due to continuing product improvements, Ledalite reserves the right to change specifications without notice.

Housing

Die-formed 18 gauge cold-rolled steel.

Weight

3.5 lb/ft.

Optical System

High efficiency optical system providing an optimal direct/indirect distribution. Lower optics consist of a flat acrylic panel with a layer of MesoOptics film that provides a controlled distribution in the lower hemisphere.

T5/T5HO upper optics include high performance Miro IV specular reflectors that provide a wide-spread batwing to evenly illuminate the ceiling (T8 upper optics are painted high reflective white).

Standard distribution is 70% up / 30% down. Optional field-installable variable optics kits provide additional downlight as required.

Endcaps

Die-cast endcaps.

Joints

Self-aligning joining system with hands-free pre-joining wire access.

Mounting

Aircraft cable gripper is tamper-resistant and provides infinite vertical adjustment capability. Aircraft cable, crimp and cable gripper independently tested to meet stringent safety requirements.

Electrical

Factory pre-wired to section ends with quick-wire connectors.

Ballast

Electronic. Supplied with pre-installed ballast disconnects as per changes to the National Electrical Code.

Approvals

Certified to UL and CSA standards.

Finish

High-quality powder coat. Available in Ledalite Standard White (textured matte finish), and a selection of other factory and customer-specified colors. Consult factory for details.