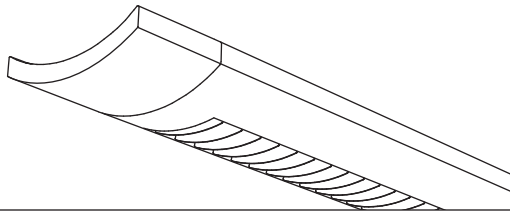


Sona™



Wall
Direct/Indirect
2 T8



Project Name

Spec Type

Notes



Order Guide

Some combinations of product options may not be available. Consult factory for assistance with your specification.

7708	T02			-		-		-	
Product Series & Type Sona Wall	Lamping 2 T8	Lower Optics P Semi-Specular Louver W White Louver	Upper Optics N None	Run Length <i>Enter the total run length in feet (4ft increments)</i>	Wiring 1 1 cct 2 2 cct 3 1 cct w/ Emergency cct 4 2 cct w/ Emergency cct 5 1 cct w/ Battery Pack 6 2 cct w/ Battery Pack 7 1 cct Dimming	Voltage 1 120V 2 277V 3 347V	Ballast E Standard Ballast	Color & Finish W Standard White C Factory Color X Custom Color	
		See details on reverse		See details on reverse	Consult website for complete list of standard wiring options		Consult website for ballast manufacturer information	Consult website for color and finish options	

Upgrades & Accessories

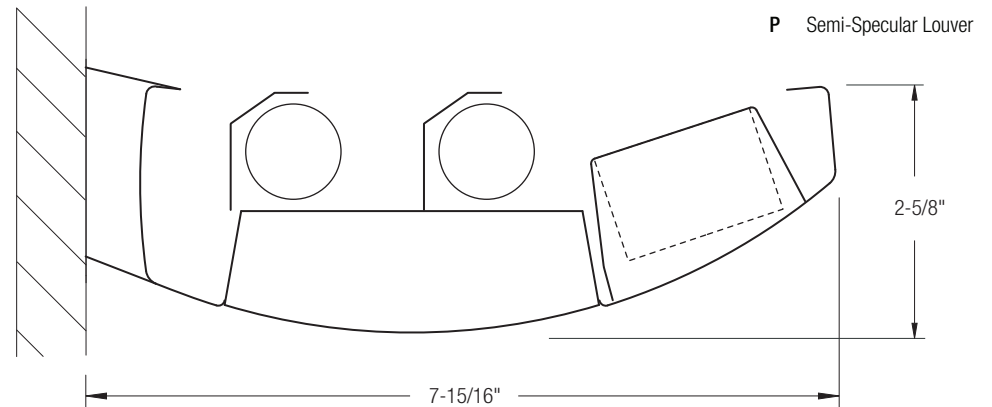
Please indicate with check mark.

Lamps Included

Lamps Included and Installed

Flat Endcap
See details on reverse

Dust Cover

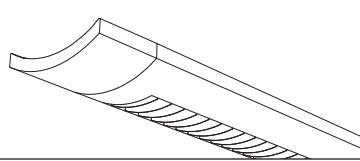


Sona™

Wall

Direct/Indirect

2 TB



Photometry Optics PN Semi-Specular Louver

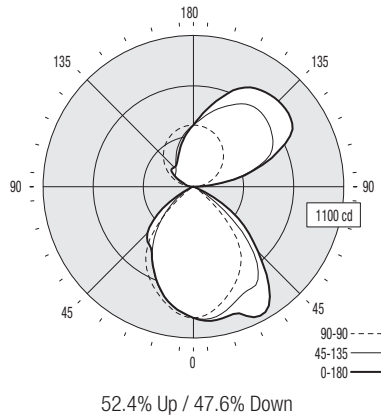
Report Summary

Report # 9900876 Peak Candela Value* 881 @ 133°
 Filename 7708T02PN.ies Peak to Zenith Ratio* 2 : 1
 Efficiency 62.9% * Between 90-180° vertical angle

Meets RP-1-04 recommendations for VDT-Normal spaces

Candela Distribution

Vertical Angle	Horizontal Angle					Zonal Lumens
	0	22.5	45	67.5	90	
0	954	954	954	954	954	
5	978	968	941	922	918	52
15	975	931	858	826	827	213
25	1048	859	748	684	679	340
35	975	823	609	517	543	417
45	670	567	327	323	476	379
55	400	197	64	146	275	216
65	93	20	15	22	48	64
75	0	2	5	5	9	9
85	0	0	1	1	1	1
90	0	0	0	0	0	0
95	126	131	34	25	23	41
105	452	437	105	62	63	195
115	741	635	180	133	116	316
125	868	696	248	161	196	366
135	880	729	311	180	199	351
145	857	723	364	225	211	303
155	788	655	404	289	257	236
165	645	572	433	355	328	153
175	504	483	447	419	408	68
180	448	448	448	448	448	



Coefficients of Utilization (%)

Ceiling:	80					70					50					0				
	70	50	30	10	0	70	50	30	10	0	70	50	30	10	0	70	50	30	10	0
0 RCR	66	66	66	66	66	61	61	61	51	51	51	28								
1	61	59	57	55	55	56	54	53	46	44	43	25								
2	57	53	49	46	46	52	48	46	41	39	37	23								
3	52	47	43	40	40	48	43	40	37	34	32	20								
4	48	42	37	34	34	44	39	35	33	30	28	18								
5	44	38	33	30	30	41	35	31	30	27	24	16								
6	41	34	29	26	26	38	32	27	27	24	22	14								
7	38	31	26	23	23	35	29	25	25	22	19	13								
8	35	28	23	20	20	32	26	22	23	19	17	12								
9	33	26	21	18	18	30	24	20	21	18	15	11								
10	31	24	19	16	16	28	22	18	19	16	14	10								

Based on a floor reflectance of 0.2

Avg. Luminance (cd/m²)

Vertical Angle	Horizontal Angle		
	0	45	90
55	6051	968	4160
65	1910	308	986
75	0	168	302
85	0	100	100

IES files for this and other photometric options can be downloaded online at www.ledalite.com

Additional Information

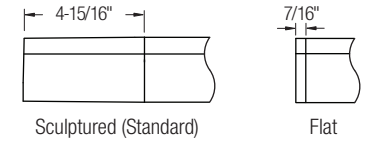
Modules

Module length excludes endcaps.
 Nominal mount spacing for individually mounted modules.

Module	Mount Spacing
4ft	4' 0"
8ft	8' 0"
12ft	12' 0"

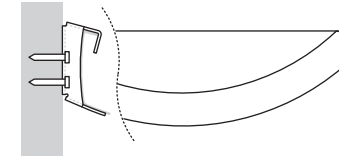
*12ft not available with Direct/Indirect

Endcap



Mounting Hardware

- Mounts variable within 6" of end or joint.
- Minimum one mount per fixture end or joint. **Note:** Mount is not continuous, and therefore fixture is not flush with wall.
- Side-mounted 4" x 2-1/2" utility box (supplied by others).



Specifications

Due to continuing product improvements, Ledalite reserves the right to change specifications without notice.

Housing

Die-formed 20 gauge cold-rolled steel.

Weight

3.2 lb/ft.

Optical System

Direct/Indirect: Constructed of 96% reflective white steel and specular aluminum to produce an asymmetric direct/indirect distribution. Semi-specular louvers are aluminum and spaced 1-7/16" apart. White louvers are spaced 1-5/16" apart. Standard distribution is 70% up and 30% down.

Semi-Indirect: Constructed of 96% reflective white steel to produce an asymmetric semi-indirect distribution. Perforated housing available in round or slot perforation patterns.

Endcaps

Available with either die-cast sculptured endcaps (standard) or flat die-cast endcaps (option).

Joints

Self-aligning joining system with hands-free pre-joining wire access.

Mounting

Fixture is mounted 1/2" off the wall by means of individual brackets. The brackets are specifically designed for ease of installation.

Electrical

All luminaires shall be factory pre-wired to section ends with quick-wire connectors.

Ballast

Electronic.

Approvals

Certified to UL & CSA standards.

Finish

High-quality powder coat. Available in Ledalite Standard White (textured matte finish), and a selection of other factory and customer-specified colors. Consult factory for details.