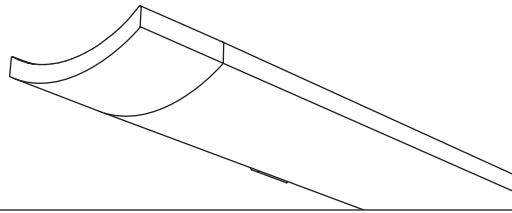


Sona™



Wall
Indirect
2 T8



Project Name

Spec Type

Notes

Order Guide

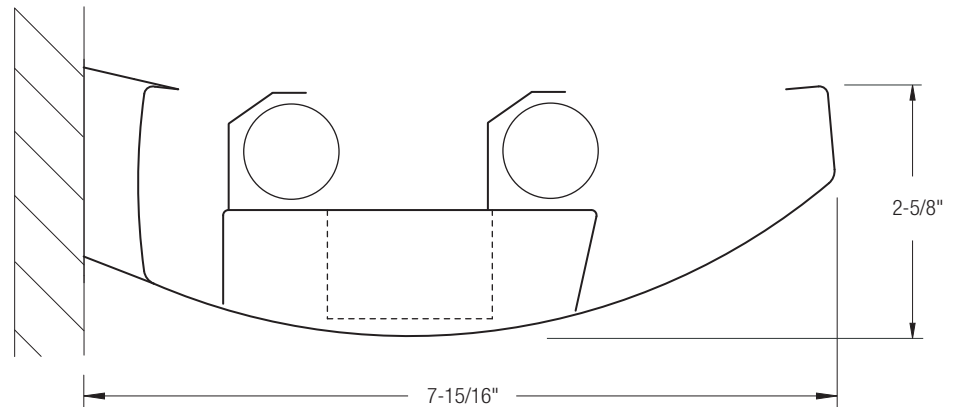
Some combinations of product options may not be available. Consult factory for assistance with your specification.

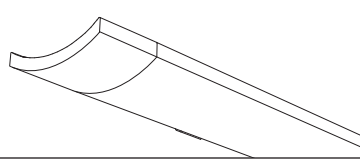
7708	T02			-		-		-	
Product Series & Type Sona Wall	Lamping 2 T8	Lower Optics E Solid Housing	Upper Optics N None	Run Length <i>Enter the total run length in feet (4ft increments)</i>	Wiring 1 1 cct 2 2 cct 3 1 cct w/ Emergency cct 4 2 cct w/ Emergency cct 5 1 cct w/ Battery Pack 6 2 cct w/ Battery Pack 7 1 cct Dimming	Voltage 1 120V 2 277V 3 347V	Ballast E Standard Ballast	Color & Finish W Standard White C Factory Color X Custom Color	
		See details on reverse		See details on reverse	Consult website for complete list of standard wiring options		Consult website for ballast manufacturer information	Consult website for color and finish options	

Upgrades & Accessories

Please indicate with check mark.

- | | |
|--|---|
| <input type="checkbox"/> Lamps Included | <input type="checkbox"/> Lamps Included and Installed |
| <input type="checkbox"/> Flat Endcap
See details on reverse | <input type="checkbox"/> Dust Cover |





Photometry Optics EN

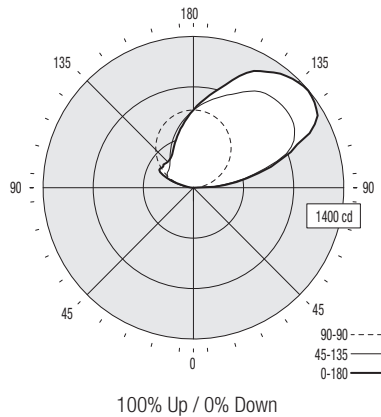
Report Summary

Report # 9900774 Peak Candela Value* 1396 @ 130°
 Filename 7708T02EN.ies Peak to Zenith Ratio* 1.9 : 1
 Efficiency 56.1% * Between 90-180° vertical angle

Meets RP-1-04 recommendations for VDT-Intensive spaces

Candela Distribution

Vertical Angle	Horizontal Angle					Zonal Lumens
	0	22.5	45	67.5	90	
0	0	0	0	0	0	
5	0	0	0	0	0	0
15	0	0	0	0	0	0
25	0	0	0	0	0	0
35	0	0	0	0	0	0
45	0	0	0	0	0	0
55	0	0	0	0	0	0
65	0	0	0	0	0	0
75	0	0	0	0	0	0
85	0	0	0	0	0	0
90	0	0	0	0	0	0
95	298	257	51	33	34	141
105	747	693	156	192	156	403
115	1194	1033	276	268	343	578
125	1376	1115	392	282	343	595
135	1379	1121	495	310	338	539
145	1302	1085	582	378	356	449
155	1173	965	648	467	426	333
165	952	861	693	566	526	204
175	794	769	716	665	650	70
180	719	719	719	719	719	



Coefficients of Utilization (%)

Ceiling: Wall:	80				70				50				0
	70	50	30	10	70	50	30	10	50	30	10	0	
0 RCR	53	53	53	53	45	45	45	31	31	31	0	0	
1	48	46	44	42	41	39	38	27	26	25	0	0	
2	44	40	37	34	37	34	32	23	22	20	0	0	
3	40	35	31	28	34	30	27	20	19	17	0	0	
4	36	31	27	24	31	26	23	18	16	14	0	0	
5	33	27	23	20	28	23	20	16	14	12	0	0	
6	30	24	20	17	26	21	17	14	12	10	0	0	
7	28	22	18	15	24	19	15	13	10	9	0	0	
8	26	19	15	13	22	17	13	11	9	8	0	0	
9	24	17	14	11	20	15	12	10	8	7	0	0	
10	22	16	12	10	19	14	10	9	7	6	0	0	

Based on a floor reflectance of 0.2

Avg. Luminance (cd/m²)

Vertical Angle	Horizontal Angle		
	0	45	90
55	0	0	0
65	0	0	0
75	0	0	0
85	0	0	0

IES files for this and other photometric options can be downloaded online at www.ledalite.com

Additional Information

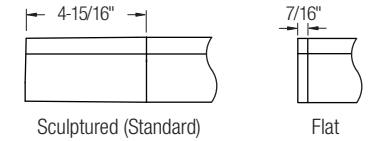
Modules

Module length excludes endcaps.
Nominal mount spacing for individually mounted modules.

Module	Mount Spacing
4ft	4' 0"
8ft	8' 0"
12ft	12' 0"

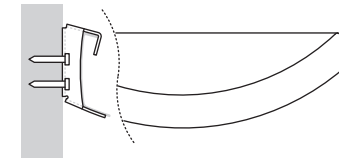
*12ft not available with Direct/Indirect

Endcap



Mounting Hardware

- Mounts variable within 6" of end or joint.
- Minimum one mount per fixture end or joint. **Note:** Mount is not continuous, and therefore fixture is not flush with wall.
- Side-mounted 4" x 2-1/2" utility box (supplied by others).



Specifications

Due to continuing product improvements, Ledalite reserves the right to change specifications without notice.

Housing

Die-formed 20 gauge cold-rolled steel.

Weight

3.2 lb/ft.

Optical System

Direct/Indirect: Constructed of 96% reflective white steel and specular aluminum to produce an asymmetric direct/indirect distribution. Semi-specular louvers are aluminum and spaced 1-7/16" apart. White louvers are spaced 1-5/16" apart. Standard distribution is 70% up and 30% down.

Semi-Indirect: Constructed of 96% reflective white steel to produce an asymmetric semi-indirect distribution. Perforated housing available in round or slot perforation patterns.

Endcaps

Available with either die-cast sculptured endcaps (standard) or flat die-cast endcaps (option).

Joints

Self-aligning joining system with hands-free pre-joining wire access.

Mounting

Fixture is mounted 1/2" off the wall by means of individual brackets. The brackets are specifically designed for ease of installation.

Electrical

All luminaires shall be factory pre-wired to section ends with quick-wire connectors.

Ballast

Electronic.

Approvals

Certified to UL & CSA standards.

Finish

High-quality powder coat. Available in Ledalite Standard White (textured matte finish), and a selection of other factory and customer-specified colors. Consult factory for details.