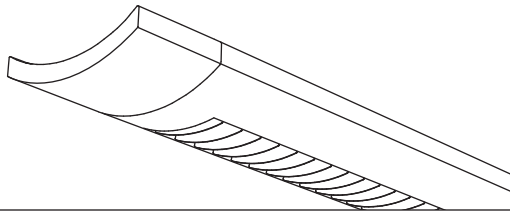


Sona™



Wall
Direct/Indirect
2 T5



Project Name

Spec Type

Notes



Order Guide

Some combinations of product options may not be available. Consult factory for assistance with your specification.

7708	F02			-		-		-	
Product Series & Type Sona Wall	Lamping 2 T5	Lower Optics P Semi-Specular Louver W White Louver	Upper Optics N None	Run Length <i>Enter the total run length in feet (4ft increments)</i>	Wiring 1 1 cct 2 2 cct 3 1 cct w/ Emergency cct 4 2 cct w/ Emergency cct 5 1 cct w/ Battery Pack 6 2 cct w/ Battery Pack 7 1 cct Dimming	Voltage 1 120V 2 277V 3 347V	Ballast E Standard Ballast	Color & Finish W Standard White C Factory Color X Custom Color	
		See details on reverse		See details on reverse	Consult website for complete list of standard wiring options		Consult website for ballast manufacturer information	Consult website for color and finish options	

Upgrades & Accessories

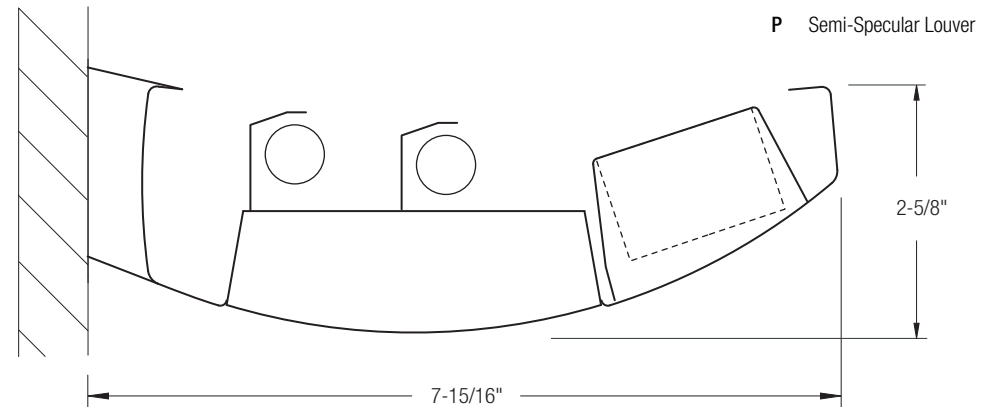
Please indicate with check mark.

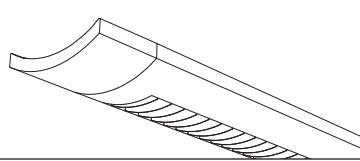
Lamps Included

Lamps Included and Installed

Flat Endcap
See details on reverse

Dust Cover





Photometry Optics PN Semi-Specular Louver

Report Summary

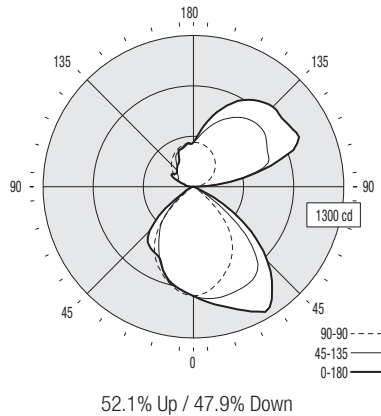
Report # 9900877
 Filename 7708F02PN.ies
 Efficiency 70.1%

Peak Candela Value* 1008 @ 115°
 Peak to Zenith Ratio* 2.6 : 1
 * Between 90-180° vertical angle

Meets RP-1-04 recommendations for VDT-Normal spaces

Candela Distribution

Vertical Angle	Horizontal Angle					Zonal Lumens
	0	22.5	45	67.5	90	
0	939	939	939	939	939	
5	982	963	924	907	905	51
15	1068	978	847	824	836	215
25	1184	968	741	694	683	356
35	1181	934	585	515	645	452
45	904	714	328	341	535	433
55	515	259	64	129	198	246
65	77	27	16	22	54	66
75	1	3	6	5	12	9
85	0	0	1	1	1	2
90	0	0	0	0	0	
95	205	202	36	45	47	62
105	691	627	96	104	83	268
115	1008	707	160	148	198	394
125	973	762	218	162	193	395
135	971	769	267	198	202	366
145	909	725	311	259	233	312
155	790	642	345	323	301	236
165	626	532	368	355	345	148
175	445	420	380	367	375	62
180	382	382	382	382	382	



Coefficients of Utilization (%)

Ceiling:	80					70					50					0						
	70	50	30	10		70	50	30	50	30	10	0	70	50	30	10	0	70	50	30	10	0
0 RCR	74	74	74	74		68	68	68	56	56	56	31										
1	68	66	63	61		63	61	59	51	49	48	28										
2	63	58	55	52		58	54	51	45	43	41	25										
3	58	52	47	44		53	48	44	41	38	35	22										
4	53	47	42	38		49	43	39	37	33	31	20										
5	49	42	37	33		45	39	34	33	30	27	17										
6	45	38	32	29		42	35	30	30	26	24	16										
7	42	34	29	25		39	32	27	27	24	21	14										
8	39	31	26	22		36	29	24	25	21	19	13										
9	36	28	23	20		34	26	22	23	19	17	11										
10	34	26	21	18		31	24	20	21	18	15	10										

Based on a floor reflectance of 0.2

Avg. Luminance (cd/m²)

Vertical Angle	Horizontal Angle		
	0	45	90
55	7791	968	2995
65	1581	329	1109
75	34	201	402
85	0	100	100

IES files for this and other photometric options can be downloaded online at www.ledalite.com

Additional Information

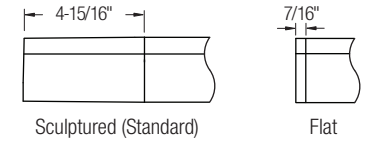
Modules

Module length excludes endcaps.
 Nominal mount spacing for individually mounted modules.

Module	Mount Spacing
4ft	4' 0"
8ft	8' 0"
12ft	12' 0"

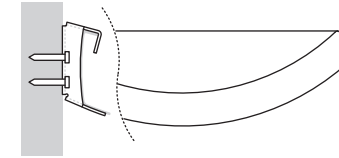
*12ft not available with Direct/Indirect

Endcap



Mounting Hardware

- Mounts variable within 6" of end or joint.
- Minimum one mount per fixture end or joint. **Note:** Mount is not continuous, and therefore fixture is not flush with wall.
- Side-mounted 4" x 2-1/2" utility box (supplied by others).



Specifications

Due to continuing product improvements, Ledalite reserves the right to change specifications without notice.

Housing

Die-formed 20 gauge cold-rolled steel.

Weight

3.2 lb/ft.

Optical System

Direct/Indirect: Constructed of 96% reflective white steel and specular aluminum to produce an asymmetric direct/indirect distribution. Semi-specular louvers are aluminum and spaced 1-7/16" apart. White louvers are spaced 1-5/16" apart. Standard distribution is 70% up and 30% down.

Endcaps

Available with either die-cast sculptured endcaps (standard) or flat die-cast endcaps (option).

Joints

Self-aligning joining system with hands-free pre-joining wire access.

Mounting

Fixture is mounted 1/2" off the wall by means of individual brackets. The brackets are specifically designed for ease of installation.

Electrical

All luminaires shall be factory pre-wired to section ends with quick-wire connectors.

Ballast

Electronic.

Approvals

Certified to UL & CSA standards.

Finish

High-quality powder coat. Available in Ledalite Standard White (textured matte finish), and a selection of other factory and customer-specified colors. Consult factory for details.