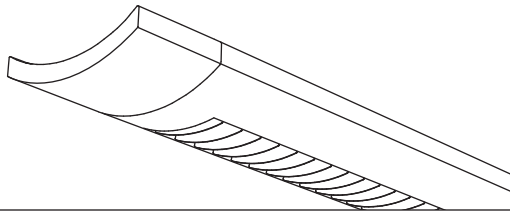


# Sona™



Wall  
Direct/Indirect  
2 T5HO



Project Name

Spec Type

Notes



## Order Guide

Some combinations of product options may not be available. Consult factory for assistance with your specification.

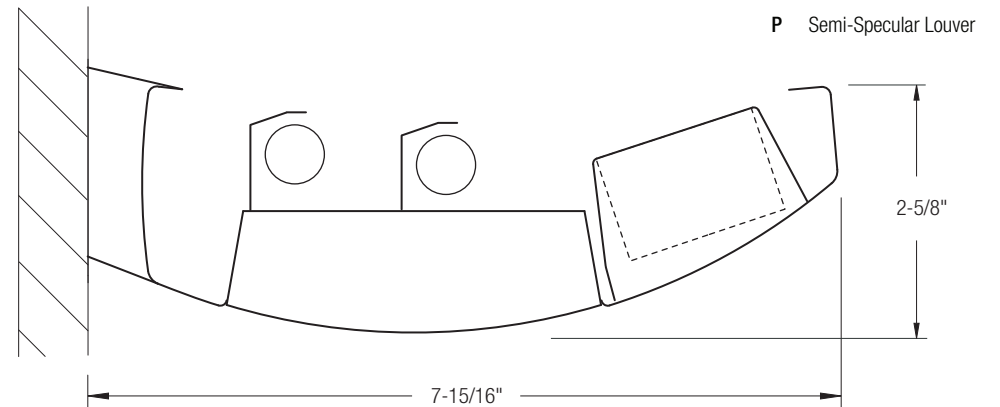
7708	H02			-		-		-	
Product Series & Type Sona Wall	Lamping 2 T5HO	Lower Optics <b>P</b> Semi-Specular Louver <b>W</b> White Louver	Upper Optics <b>N</b> None	Run Length <i>Enter the total run length in feet (4ft increments)</i>	Wiring <b>1</b> 1 cct <b>2</b> 2 cct <b>3</b> 1 cct w/ Emergency cct <b>4</b> 2 cct w/ Emergency cct <b>5</b> 1 cct w/ Battery Pack <b>6</b> 2 cct w/ Battery Pack <b>7</b> 1 cct Dimming	Voltage <b>1</b> 120V <b>2</b> 277V <b>3</b> 347V	Ballast <b>E</b> Standard Ballast	Color & Finish <b>W</b> Standard White <b>C</b> Factory Color <b>X</b> Custom Color	
		See details on reverse		See details on reverse	Consult website for complete list of standard wiring options		Consult website for ballast manufacturer information	Consult website for color and finish options	

## Upgrades & Accessories

Please indicate with check mark.

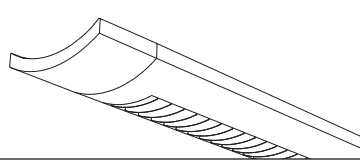
Lamps Included  Lamps Included and Installed

Flat Endcap  
See details on reverse



Sona™

Wall  
Direct/Indirect  
2 T5HO



Photometry Optics PN Semi-Specular Louver

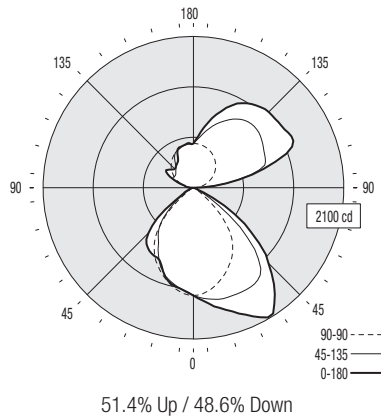
Report Summary

Report # 9900874 Peak Candela Value\* 1544 @ 118°  
 Filename 7708H02PN.ies Peak to Zenith Ratio\* 2.5 : 1  
 Efficiency 70.8% \* Between 90-180° vertical angle

Meets RP-1-04 recommendations for VDT-Normal spaces

Candela Distribution

Vertical Angle	Horizontal Angle					Zonal Lumens
	0	22.5	45	67.5	90	
0	1498	1498	1498	1498	1498	
5	1576	1541	1478	1442	1435	83
15	1756	1596	1357	1323	1346	346
25	1971	1596	1182	1128	1115	580
35	1969	1565	955	856	1071	744
45	1481	1212	554	595	886	711
55	873	433	116	231	314	397
65	157	50	30	41	101	105
75	4	11	12	15	29	19
85	2	5	6	8	8	8
90	12	14	3	7	7	
95	296	290	58	71	84	94
105	1018	953	165	187	151	415
115	1539	1097	263	319	363	629
125	1500	1162	359	305	434	647
135	1487	1202	439	347	369	590
145	1418	1158	507	451	402	502
155	1257	1022	558	558	531	386
165	998	850	593	595	599	240
175	708	676	612	606	622	99
180	614	614	614	614	614	



Coefficients of Utilization (%)

Ceiling: Wall:	80				70				50				0				
	70	50	30	10	70	50	30	10	50	30	10	0	70	50	30	10	0
0 RCR	75	75	75	75	69	69	69	57	57	57	32						
1	69	67	64	62	63	61	59	51	50	49	29						
2	64	59	55	52	58	55	51	46	44	42	25						
3	59	53	48	44	54	49	45	41	38	36	22						
4	54	47	42	38	50	44	39	37	34	31	20						
5	50	42	37	33	46	39	35	33	30	27	18						
6	46	38	33	29	42	35	31	30	27	24	16						
7	43	34	29	25	39	32	27	28	24	21	14						
8	40	31	26	23	36	29	25	25	22	19	13						
9	37	29	24	20	34	27	22	23	20	17	11						
10	34	26	21	18	32	25	20	21	18	15	10						

Based on a floor reflectance of 0.2

Avg. Luminance (cd/m²)

Vertical Angle	Horizontal Angle		
	0	45	90
55	7582	983	2727
65	1851	341	1191
75	77	217	558
85	114	286	457

IES files for this and other photometric options can be downloaded online at [www.ledalite.com](http://www.ledalite.com)

Additional Information

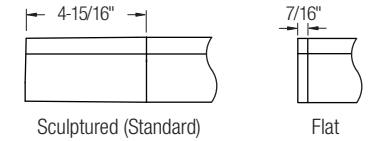
Modules

Module length excludes endcaps.  
Nominal mount spacing for individually mounted modules.

Module	Mount Spacing
4ft	4' 0"
8ft	8' 0"
12ft	12' 0"

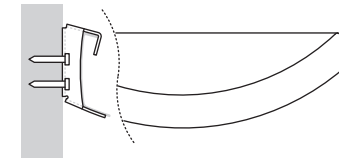
\*12ft not available with Direct/Indirect

Endcap



Mounting Hardware

- Mounts variable within 6" of end or joint.
- Minimum one mount per fixture end or joint. **Note:** Mount is not continuous, and therefore fixture is not flush with wall.
- Side-mounted 4" x 2-1/2" utility box (supplied by others).



Specifications

Due to continuing product improvements, Ledalite reserves the right to change specifications without notice.

Housing

Die-formed 20 gauge cold-rolled steel.

Weight

3.2 lb/ft.

Optical System

Direct/Indirect: Constructed of 96% reflective white steel and specular aluminum to produce an asymmetric direct/indirect distribution. Semi-specular louvers are aluminum and spaced 1-7/16" apart. White louvers are spaced 1-5/16" apart. Standard distribution is 70% up and 30% down.

Endcaps

Available with either die-cast sculptured endcaps (standard) or flat die-cast endcaps (option).

Joints

Self-aligning joining system with hands-free pre-joining wire access.

Mounting

Fixture is mounted 1/2" off the wall by means of individual brackets. The brackets are specifically designed for ease of installation.

Electrical

All luminaires shall be factory pre-wired to section ends with quick-wire connectors.

Ballast

Electronic.

Approvals

Certified to UL & CSA standards.

Finish

High-quality powder coat. Available in Ledalite Standard White (textured matte finish), and a selection of other factory and customer-specified colors. Consult factory for details.