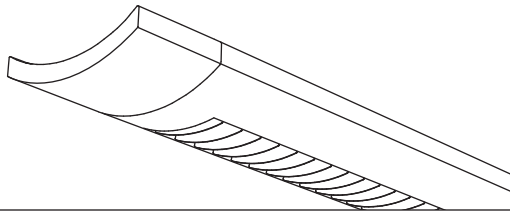


Sona™



Wall
Direct/Indirect
1 T8



Project Name

Spec Type

Notes



Order Guide

Some combinations of product options may not be available. Consult factory for assistance with your specification.

7708	T01			-		-		-	
Product Series & Type Sona Wall	Lamping 1 T8	Lower Optics P Semi-Specular Louver W White Louver	Upper Optics N None	Run Length <i>Enter the total run length in feet (4ft increments)</i>	Wiring 1 1 cct 3 1 cct w/ Emergency cct 5 1 cct w/ Battery Pack 7 1 cct Dimming	Voltage 1 120V 2 277V 3 347V	Ballast E Standard Ballast	Color & Finish W Standard White C Factory Color X Custom Color	
		See details on reverse		See details on reverse	Consult website for complete list of standard wiring options		Consult website for ballast manufacturer information	Consult website for color and finish options	

Upgrades & Accessories

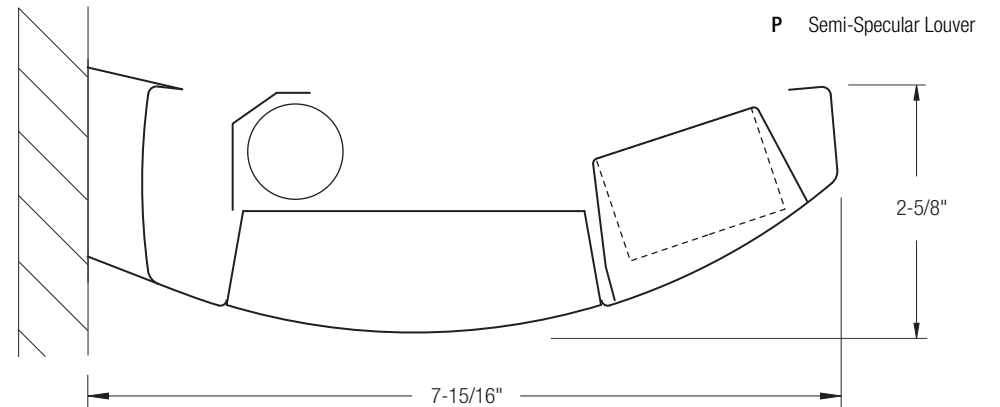
Please indicate with check mark.

Lamps Included

Lamps Included and Installed

Flat Endcap
See details on reverse

Dust Cover

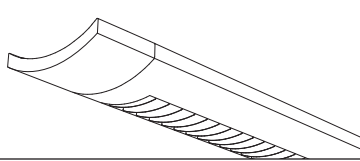


Sona™

Wall

Direct/Indirect

1 T8



Photometry Optics PN Semi-Specular Louver

Report Summary

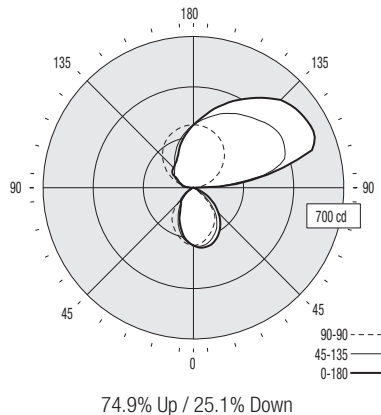
Report # 9900941
 Filename 7708T01PN.ies
 Efficiency 62.5%

Peak Candela Value* 617 @ 115°
 Peak to Zenith Ratio* 2.1 : 1
 * Between 90-180° vertical angle

Meets RP-1-04 recommendations for VDT-Intensive spaces

Candela Distribution

Vertical Angle	Horizontal Angle					Zonal Lumens
	0	22.5	45	67.5	90	
0	268	268	268	268	268	
5	278	272	263	257	253	14
15	278	264	241	223	208	58
25	257	234	210	170	155	90
35	218	189	174	115	102	101
45	164	125	104	66	83	89
55	103	52	22	22	44	50
65	41	0	5	5	12	15
75	0	0	2	1	1	2
85	0	0	0	0	0	0
90	0	0	0	0	0	0
95	202	169	18	30	30	53
105	501	418	63	51	59	189
115	617	466	112	89	78	247
125	606	467	160	108	120	247
135	575	438	204	123	131	224
145	508	409	240	152	142	187
155	444	379	265	191	168	144
165	379	344	282	233	217	96
175	316	308	290	272	265	43
180	291	291	291	291	291	



Coefficients of Utilization (%)

Ceiling:	80				70				50				0
	70	50	30	10	70	50	30	10	50	30	10	0	
0 RCR	63	63	63	63	56	56	56	42	42	42	14		
1	58	55	53	51	51	49	47	38	37	36	12		
2	53	49	45	42	47	43	41	34	32	30	11		
3	48	43	39	36	43	39	35	30	28	26	10		
4	44	38	34	30	39	34	31	27	24	22	9		
5	41	34	30	26	36	31	27	24	21	19	8		
6	38	31	26	23	33	28	24	22	19	17	7		
7	35	28	23	20	31	25	21	20	17	15	6		
8	32	25	21	17	29	23	19	18	15	13	6		
9	30	23	18	16	27	21	17	16	14	12	5		
10	28	21	17	14	25	19	15	15	12	10	5		

Based on a floor reflectance of 0.2

Avg. Luminance (cd/m²)

Vertical Angle	Horizontal Angle		
	0	45	90
55	1558	333	666
65	842	103	246
75	0	67	34
85	0	0	0

IES files for this and other photometric options can be downloaded online at www.ledalite.com

Additional Information

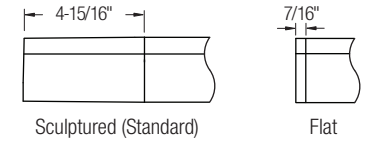
Modules

Module length excludes endcaps.
 Nominal mount spacing for individually mounted modules.

Module	Mount Spacing
4ft	4' 0"
8ft	8' 0"
12ft	12' 0"

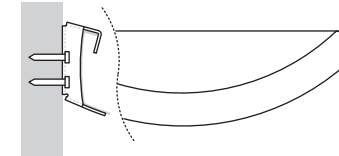
*12ft not available with Direct/Indirect

Endcap



Mounting Hardware

- Mounts variable within 6" of end or joint.
- Minimum one mount per fixture end or joint. **Note:** Mount is not continuous, and therefore fixture is not flush with wall.
- Side-mounted 4" x 2-1/2" utility box (supplied by others).



Specifications

Due to continuing product improvements, Ledalite reserves the right to change specifications without notice.

Housing

Die-formed 20 gauge cold-rolled steel.

Weight

3.2 lb/ft.

Optical System

Direct/Indirect: Constructed of 96% reflective white steel and specular aluminum to produce an asymmetric direct/indirect distribution. Semi-specular louvers are aluminum and spaced 1-7/16" apart. White louvers are spaced 1-5/16" apart. Standard distribution is 70% up and 30% down.

Semi-Indirect: Constructed of 96% reflective white steel to produce an asymmetric semi-indirect distribution. Perforated housing available in round or slot perforation patterns.

Endcaps

Available with either die-cast sculptured endcaps (standard) or flat die-cast endcaps (option).

Joints

Self-aligning joining system with hands-free pre-joining wire access.

Mounting

Fixture is mounted 1/2" off the wall by means of individual brackets. The brackets are specifically designed for ease of installation.

Electrical

All luminaires shall be factory pre-wired to section ends with quick-wire connectors.

Ballast

Electronic.

Approvals

Certified to UL & CSA standards.

Finish

High-quality powder coat. Available in Ledalite Standard White (textured matte finish), and a selection of other factory and customer-specified colors. Consult factory for details.