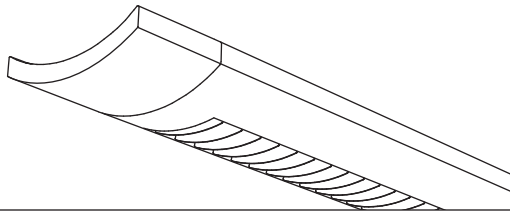


# Sona™



Wall  
Direct/Indirect  
1 T5



Project Name

Spec Type

Notes



## Order Guide

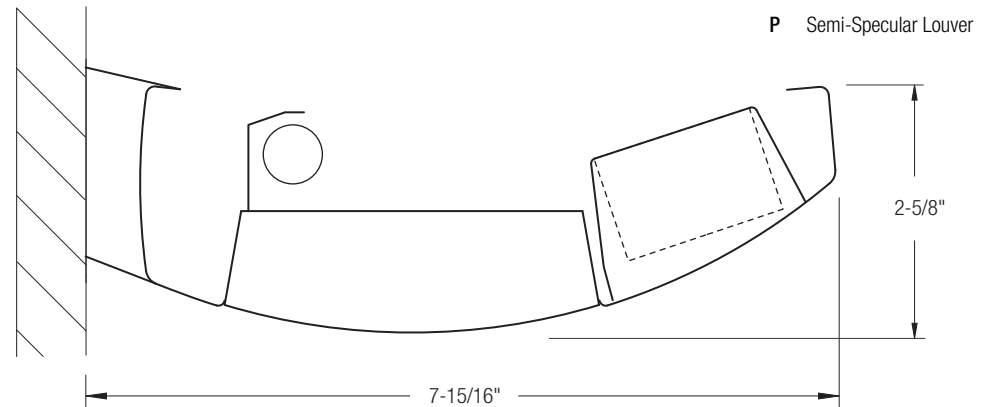
Some combinations of product options may not be available. Consult factory for assistance with your specification.

<b>7708</b>	<b>F01</b>			-		-		-	
Product Series & Type Sona Wall	Lamping 1 T5	Lower Optics <b>P</b> Semi-Specular Louver <b>W</b> White Louver	Upper Optics <b>N</b> None	Run Length <i>Enter the total run length in feet (4ft increments)</i>	Wiring <b>1</b> 1 cct <b>3</b> 1 cct w/ Emergency cct <b>5</b> 1 cct w/ Battery Pack <b>7</b> 1 cct Dimming	Voltage <b>1</b> 120V <b>2</b> 277V <b>3</b> 347V	Ballast <b>E</b> Standard Ballast	Color & Finish <b>W</b> Standard White <b>C</b> Factory Color <b>X</b> Custom Color	
		See details on reverse		See details on reverse	Consult website for complete list of standard wiring options		Consult website for ballast manufacturer information	Consult website for color and finish options	

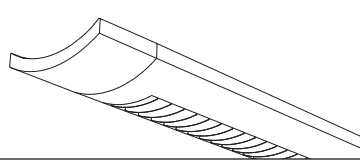
## Upgrades & Accessories

Please indicate with check mark.

- |  |   |
|--|---|
| <input type="checkbox"/> Lamps Included                        | <input type="checkbox"/> Lamps Included and Installed |
| <input type="checkbox"/> Flat Endcap<br>See details on reverse | <input type="checkbox"/> Dust Cover                   |



Wall  
Direct/Indirect  
1 T5



Photometry Optics PN Semi-Specular Louver

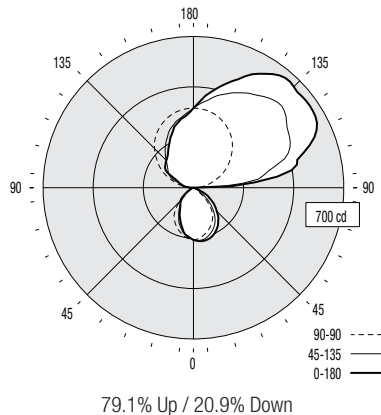
Report Summary

Report # 9900940 Peak Candela Value\* 666 @ 138°  
 Filename 7708F01PN.ies Peak to Zenith Ratio\* 1.8 : 1  
 Efficiency 72.8% \* Between 90-180° vertical angle

Meets RP-1-04 recommendations for VDT-Intensive spaces

Candela Distribution

Vertical Angle	Horizontal Angle					Zonal Lumens
	0	22.5	45	67.5	90	
0	241	241	241	241	241	
5	248	245	238	233	230	13
15	249	239	218	204	196	54
25	233	214	192	163	150	84
35	201	176	158	114	107	95
45	153	118	93	70	85	85
55	103	52	20	24	41	50
65	46	6	5	5	13	18
75	0	1	2	1	1	2
85	0	0	1	0	0	0
90	0	0	0	0	0	0
95	288	229	30	27	27	61
105	501	399	85	54	57	201
115	633	497	146	117	93	268
125	662	529	203	145	161	291
135	661	557	257	178	179	278
145	642	522	301	229	205	244
155	569	485	334	277	254	191
165	485	442	356	317	304	124
175	406	392	367	348	339	55
180	368	368	368	368	368	



Coefficients of Utilization (%)

Ceiling:	80					70					0
	70	50	30	10	70	50	30	50	30	10	
0 RCR	72	72	72	72	64	64	64	48	48	48	13
1	66	64	61	59	58	56	54	42	41	40	12
2	61	56	52	48	53	49	46	37	35	34	11
3	56	49	45	41	49	44	40	33	31	29	9
4	51	44	39	35	45	39	35	30	27	24	8
5	47	39	34	30	41	35	30	27	23	21	7
6	43	35	29	26	38	31	27	24	21	18	7
7	40	31	26	22	35	28	23	22	18	16	6
8	37	28	23	20	32	25	21	20	17	14	5
9	34	26	21	17	30	23	19	18	15	13	5
10	32	24	19	15	28	21	17	16	13	11	4

Based on a floor reflectance of 0.2

Avg. Luminance (cd/m²)

Vertical Angle	Horizontal Angle		
	0	45	90
55	1558	303	620
65	944	103	267
75	0	67	34
85	0	100	0

IES files for this and other photometric options can be downloaded online at [www.ledalite.com](http://www.ledalite.com)

Additional Information

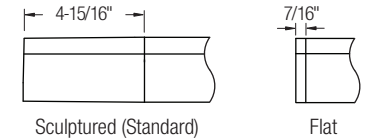
Modules

Module length excludes endcaps.  
Nominal mount spacing for individually mounted modules.

Module	Mount Spacing
4ft	4' 0"
8ft	8' 0"
12ft	12' 0"

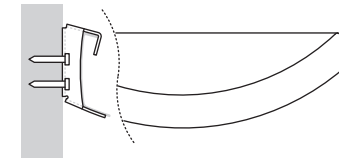
\*12ft not available with Direct/Indirect

Endcap



Mounting Hardware

- Mounts variable within 6" of end or joint.
- Minimum one mount per fixture end or joint. **Note:** Mount is not continuous, and therefore fixture is not flush with wall.
- Side-mounted 4" x 2-1/2" utility box (supplied by others).



Specifications

Due to continuing product improvements, Ledalite reserves the right to change specifications without notice.

Housing

Die-formed 20 gauge cold-rolled steel.

Weight

3.2 lb/ft.

Optical System

Direct/Indirect: Constructed of 96% reflective white steel and specular aluminum to produce an asymmetric direct/indirect distribution. Semi-specular louvers are aluminum and spaced 1-7/16" apart. White louvers are spaced 1-5/16" apart. Standard distribution is 70% up and 30% down.

Semi-Indirect: Constructed of 96% reflective white steel to produce an asymmetric semi-indirect distribution. Perforated housing available in round or slot perforation patterns.

Endcaps

Available with either die-cast sculptured endcaps (standard) or flat die-cast endcaps (option).

Joints

Self-aligning joining system with hands-free pre-joining wire access.

Mounting

Fixture is mounted 1/2" off the wall by means of individual brackets. The brackets are specifically designed for ease of installation.

Electrical

All luminaires shall be factory pre-wired to section ends with quick-wire connectors.

Ballast

Electronic.

Approvals

Certified to UL & CSA standards.

Finish

High-quality powder coat. Available in Ledalite Standard White (textured matte finish), and a selection of other factory and customer-specified colors. Consult factory for details.