

Sona™

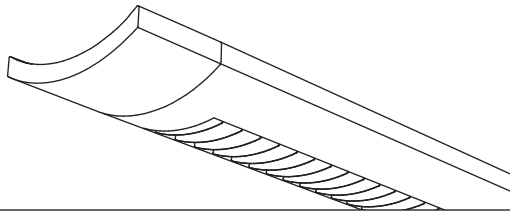


Project Name

Spec Type

Notes

Wall
Direct/Indirect
1 T5HO



Order Guide

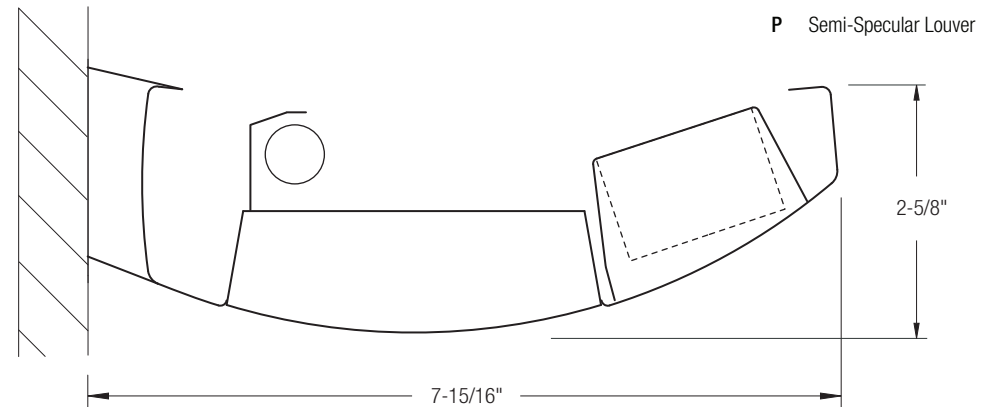
Some combinations of product options may not be available. Consult factory for assistance with your specification.

7708	H01			-		-		-		-	
Product Series & Type Sona Wall	Lamping 1 T5HO	Lower Optics P Semi-Specular Louver W White Louver	Upper Optics N None	Run Length <i>Enter the total run length in feet (4ft increments)</i>	Wiring 1 1 cct 3 1 cct w/ Emergency cct 5 1 cct w/ Battery Pack 7 1 cct Dimming	Voltage 1 120V 2 277V 3 347V	Ballast E Standard Ballast	Color & Finish W Standard White C Factory Color X Custom Color			
		See details on reverse		See details on reverse	Consult website for complete list of standard wiring options		Consult website for ballast manufacturer information	Consult website for color and finish options			

Upgrades & Accessories

Please indicate with check mark.

<input type="checkbox"/> Lamps Included	<input checked="" type="checkbox"/> Lamps Included and Installed
<input type="checkbox"/> Flat Endcap See details on reverse	

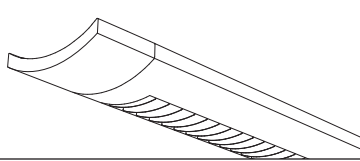


Sona™

Wall

Direct/Indirect

1 T5HO



Photometry Optics PN Semi-Specular Louver

Report Summary

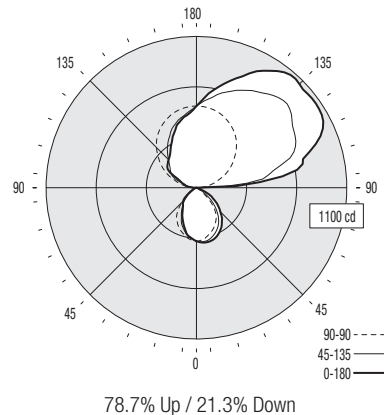
Report # 9900940
Filename 7708H01PN.ies
Efficiency 73.3%

Peak Candela Value* 1074 @ 138°
Peak to Zenith Ratio* 1.8 : 1
* Between 90-180° vertical angle

Meets RP-1-04 recommendations for VDT-Intensive spaces

Candela Distribution

Vertical Angle	Horizontal Angle					Zonal Lumens
	0	22.5	45	67.5	90	
0	389	389	389	389	389	
5	399	395	384	375	371	22
15	401	385	352	329	316	87
25	375	346	310	262	242	135
35	323	283	254	184	172	154
45	247	190	151	113	136	138
55	166	84	32	39	66	81
65	73	10	8	7	21	29
75	0	1	3	2	2	4
85	0	0	1	0	0	0
90	0	0	0	0	0	0
95	464	369	48	44	43	99
105	807	643	137	88	93	325
115	1021	802	235	189	150	431
125	1067	853	328	234	260	469
135	1066	898	414	288	288	448
145	1036	841	486	369	331	394
155	918	782	538	447	410	306
165	783	714	575	511	490	200
175	655	633	592	561	546	89
180	594	594	594	594	594	



Coefficients of Utilization (%)

Ceiling: Wall:	80				70				50				0
	70	50	30	10	70	50	30	10	50	30	10	0	
0 RCR	73	73	73	73	64	64	64	48	48	48	13		
1	67	64	61	59	59	56	54	43	41	40	12		
2	61	56	52	49	54	50	46	38	36	34	11		
3	56	50	45	41	49	44	40	34	31	29	9		
4	51	44	39	35	45	39	35	30	27	25	8		
5	47	39	34	30	41	35	30	27	24	21	7		
6	43	35	30	26	38	31	27	24	21	19	7		
7	40	32	26	22	35	28	24	22	19	16	6		
8	37	29	23	20	33	26	21	20	17	14	5		
9	34	26	21	17	30	23	19	18	15	13	5		
10	32	24	19	15	28	21	17	17	13	11	4		

Based on a floor reflectance of 0.2

Avg. Luminance (cd/m²)

Vertical Angle	Horizontal Angle		
	0	45	90
55	2511	484	998
65	1499	164	431
75	0	101	67
85	0	100	0

IES files for this and other photometric options can be downloaded online at www.ledalite.com

Additional Information

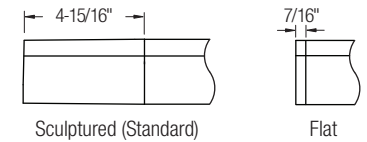
Modules

Module length excludes endcaps.
 Nominal mount spacing for individually mounted modules.

Module	Mount Spacing
4ft	4' 0"
8ft	8' 0"
12ft	12' 0"

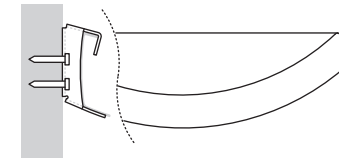
*12ft not available with Direct/Indirect

Endcap



Mounting Hardware

- Mounts variable within 6" of end or joint.
- Minimum one mount per fixture end or joint. **Note:** Mount is not continuous, and therefore fixture is not flush with wall.
- Side-mounted 4" x 2-1/2" utility box (supplied by others).



Specifications

Due to continuing product improvements, Ledalite reserves the right to change specifications without notice.

Housing

Die-formed 20 gauge cold-rolled steel.

Weight

3.2 lb/ft.

Optical System

Direct/Indirect: Constructed of 96% reflective white steel and specular aluminum to produce an asymmetric direct/indirect distribution. Semi-specular louvers are aluminum and spaced 1-7/16" apart. White louvers are spaced 1-5/16" apart. Standard distribution is 70% up and 30% down.

Semi-Indirect: Constructed of 96% reflective white steel to produce an asymmetric semi-indirect distribution. Perforated housing available in round or slot perforation patterns.

Endcaps

Available with either die-cast sculptured endcaps (standard) or flat die-cast endcaps (option).

Joints

Self-aligning joining system with hands-free pre-joining wire access.

Mounting

Fixture is mounted 1/2" off the wall by means of individual brackets. The brackets are specifically designed for ease of installation.

Electrical

All luminaires shall be factory pre-wired to section ends with quick-wire connectors.

Ballast

Electronic.

Approvals

Certified to UL & CSA standards.

Finish

High-quality powder coat. Available in Ledalite Standard White (textured matte finish), and a selection of other factory and customer-specified colors. Consult factory for details.