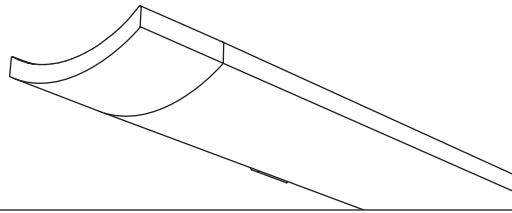


Sona™



Wall
Indirect
1 T5HO



Project Name

Spec Type

Notes

Order Guide

Some combinations of product options may not be available. Consult factory for assistance with your specification.

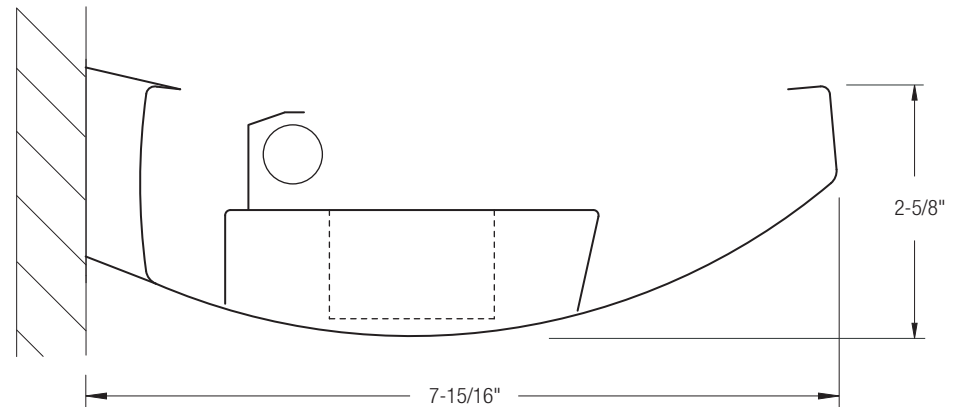
7708	H01			-		-		-	
Product Series & Type Sona Wall	Lamping 1 T5HO	Lower Optics E Solid Housing	Upper Optics N None	Run Length <i>Enter the total run length in feet (4ft increments)</i>	Wiring 1 1 cct 3 1 cct w/ Emergency cct 5 1 cct w/ Battery Pack 7 1 cct Dimming	Voltage 1 120V 2 277V 3 347V	Ballast E Standard Ballast	Color & Finish W Standard White C Factory Color X Custom Color	
		See details on reverse		See details on reverse	Consult website for complete list of standard wiring options		Consult website for ballast manufacturer information	Consult website for color and finish options	

Upgrades & Accessories

Please indicate with check mark.

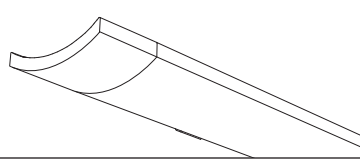
Lamps Included Lamps Included and Installed

Flat Endcap
See details on reverse



Sona™

Wall
Indirect
1 T5HO



Photometry Optics EN

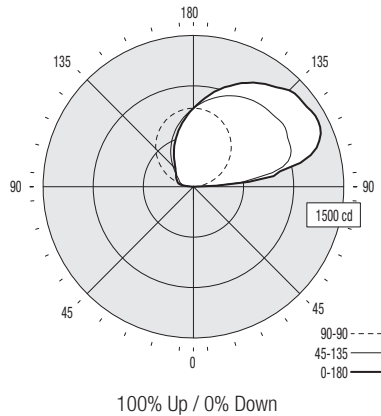
Report Summary

Report # 9900778 Peak Candela Value* 1405 @ 120°
 Filename 7708H01EN.ies Peak to Zenith Ratio* 1.8 : 1
 Efficiency 74.5% * Between 90-180° vertical angle

Meets RP-1-04 recommendations for VDT-Intensive spaces

Candela Distribution

Vertical Angle	Horizontal Angle					Zonal Lumens
	0	22.5	45	67.5	90	
0	0	0	0	0	0	0
5	0	0	0	0	0	0
15	0	0	0	0	0	0
25	0	0	0	0	0	0
35	0	0	0	0	0	0
45	0	0	0	0	0	0
55	0	0	0	0	0	0
65	0	0	0	0	0	0
75	0	0	0	0	0	0
85	0	0	0	0	0	0
90	0	0	0	0	0	0
95	554	476	47	72	66	224
105	1212	978	162	131	160	506
115	1395	1052	298	159	188	570
125	1381	1089	421	208	211	560
135	1352	1064	534	287	253	519
145	1244	1042	626	395	336	446
155	1135	993	699	509	451	346
165	998	920	750	620	578	218
175	849	828	775	726	710	76
180	778	778	778	778	778	778



Coefficients of Utilization (%)

Ceiling:	80					70					0
	70	50	30	10	70	50	30	50	30	10	
0 RCR	71	71	71	71	61	61	61	41	41	41	0
1	65	62	59	56	55	53	50	36	35	33	0
2	59	54	49	46	50	46	42	31	29	27	0
3	53	47	42	38	45	40	36	27	25	23	0
4	49	41	36	32	41	35	31	24	21	19	0
5	44	36	31	27	38	31	27	21	18	16	0
6	41	32	27	23	34	28	23	19	16	14	0
7	37	29	24	20	32	25	20	17	14	12	0
8	34	26	21	17	29	22	18	15	12	10	0
9	32	23	18	15	27	20	16	14	11	9	0
10	30	21	16	13	25	18	14	13	10	8	0

Based on a floor reflectance of 0.2

Avg. Luminance (cd/m²)

Vertical Angle	Horizontal Angle		
	0	45	90
55	0	0	0
65	0	0	0
75	0	0	0
85	0	0	0

IES files for this and other photometric options can be downloaded online at www.ledalite.com

Additional Information

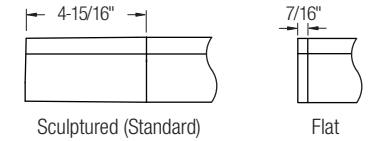
Modules

Module length excludes endcaps.
Nominal mount spacing for individually mounted modules.

Module	Mount Spacing
4ft	4' 0"
8ft	8' 0"
12ft	12' 0"

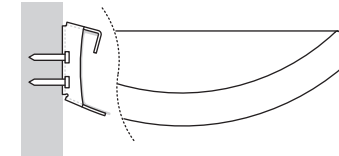
*12ft not available with Direct/Indirect

Endcap



Mounting Hardware

- Mounts variable within 6" of end or joint.
- Minimum one mount per fixture end or joint. **Note:** Mount is not continuous, and therefore fixture is not flush with wall.
- Side-mounted 4" x 2-1/2" utility box (supplied by others).



Specifications

Due to continuing product improvements, Ledalite reserves the right to change specifications without notice.

Housing

Die-formed 20 gauge cold-rolled steel.

Weight

3.2 lb/ft.

Optical System

Direct/Indirect: Constructed of 96% reflective white steel and specular aluminum to produce an asymmetric direct/indirect distribution. Semi-specular louvers are aluminum and spaced 1-7/16" apart. White louvers are spaced 1-5/16" apart. Standard distribution is 70% up and 30% down.

Semi-Indirect: Constructed of 96% reflective white steel to produce an asymmetric semi-indirect distribution. Perforated housing available in round or slot perforation patterns.

Endcaps

Available with either die-cast sculptured endcaps (standard) or flat die-cast endcaps (option).

Joints

Self-aligning joining system with hands-free pre-joining wire access.

Mounting

Fixture is mounted 1/2" off the wall by means of individual brackets. The brackets are specifically designed for ease of installation.

Electrical

All luminaires shall be factory pre-wired to section ends with quick-wire connectors.

Ballast

Electronic.

Approvals

Certified to UL & CSA standards.

Finish

High-quality powder coat. Available in Ledalite Standard White (textured matte finish), and a selection of other factory and customer-specified colors. Consult factory for details.