

# Sona™



Suspended  
Direct/Indirect  
3 T8



Project Name

Spec Type

Notes


## Order Guide

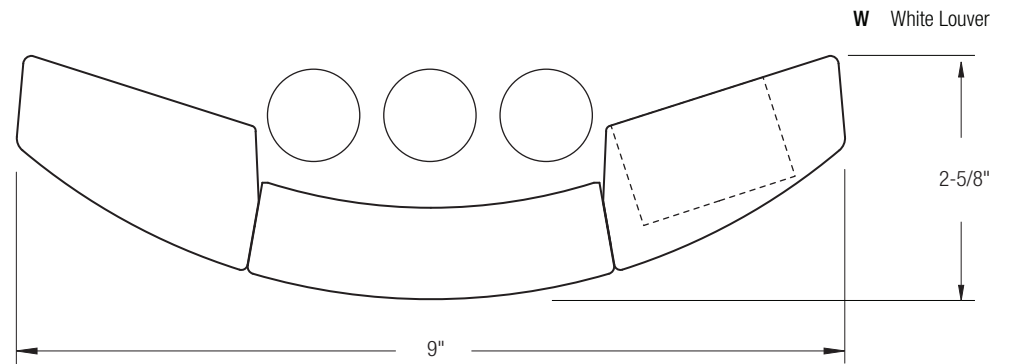
Some combinations of product options may not be available. Consult factory for assistance with your specification.

<b>7706</b>	<b>T03</b>			-		-		-		
Product Series & Type Sona Direct/Indirect	Lamping 3 T8	Lower Optics <b>P</b> Semi-Specular Louver <b>W</b> White Louver	Upper Optics <b>N</b> None <b>D</b> 60% Down Kit <b>G</b> 80% Down Kit <b>J</b> 100% Down Kit <b>Y</b> 2 Down / 1 Up Kit <b>Z</b> 1 Down / 2 Up Kit	Run Length <i>Enter the total run length in feet (4ft increments)</i>	Wiring <b>1</b> 1 cct <b>2</b> 2 cct <b>3</b> 1 cct w/ Emergency cct <b>4</b> 2 cct w/ Emergency cct <b>5</b> 1 cct w/ Battery Pack <b>6</b> 2 cct w/ Battery Pack <b>7</b> 1 cct Dimming	Voltage <b>1</b> 120V <b>2</b> 277V <b>3</b> 347V	Ballast <b>E</b> Standard Ballast  Consult website for ballast manufacturer information	Color & Finish <b>W</b> Standard White <b>C</b> Factory Color <b>X</b> Custom Color  Consult website for color and finish options		
<h3>Mounting Hardware</h3> <p><input type="text"/> <input type="text"/></p> <table border="1"> <tr> <td>Mount Type Consult separate mounting spec sheet for mount type options</td> <td>Suspension Length <i>Enter distance from ceiling to top of fixture in inches</i></td> </tr> </table>									Mount Type Consult separate mounting spec sheet for mount type options	Suspension Length <i>Enter distance from ceiling to top of fixture in inches</i>
Mount Type Consult separate mounting spec sheet for mount type options	Suspension Length <i>Enter distance from ceiling to top of fixture in inches</i>									

## Upgrades & Accessories

Please indicate with check mark.

<input type="checkbox"/> Lamps Included	<input type="checkbox"/> Lamps Included and Installed
<input type="checkbox"/> Flat Endcap See details on reverse	<input type="checkbox"/> Dust Cover Only available with upper optics option N 
<input type="checkbox"/> Response Daylight (Integrated Controls) For details visit <a href="http://www.ledalite.com/response">www.ledalite.com/response</a>	



# Sona™

Suspended  
Direct/Indirect  
3 T8



## Photometry Optics WY White Louver w/ 2 Down / 1 Up Kit

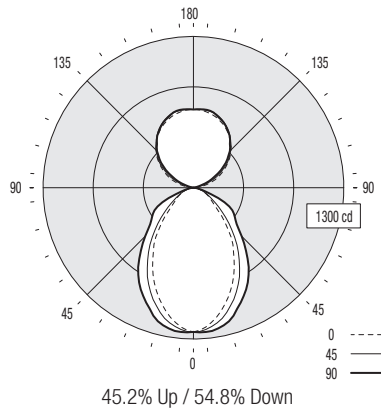
### Report Summary

Report # 9900921 Peak Candela Value\* 679 @ 170°  
 Filename 7706T03WY.ies Peak to Zenith Ratio\* 1 : 1  
 Efficiency 45% \* Between 90-180° vertical angle

Meets RP-1-04 recommendations for VDT-Normal spaces

### Candela Distribution

Vertical Angle	Horizontal Angle					Zonal Lumens
	0	22.5	45	67.5	90	
0	1239	1239	1239	1239	1239	
5	1204	1221	1224	1243	1245	117
15	1041	1083	1110	1179	1188	315
25	826	878	916	1002	1027	427
35	595	634	677	784	833	436
45	347	395	434	553	590	356
55	189	208	238	353	436	251
65	118	120	125	221	296	166
75	58	60	54	71	81	71
85	13	14	12	15	15	17
90	0	0	0	0	0	0
95	32	9	8	8	5	15
105	140	108	81	50	48	89
115	252	229	218	177	175	207
125	358	345	348	317	315	301
135	458	452	456	443	446	347
145	538	545	548	543	546	340
155	603	615	623	619	618	283
165	647	655	668	668	670	187
175	670	672	676	677	677	65
180	672	672	672	672	672	



### Coefficients of Utilization (%)

Ceiling:	80				70				50				0				
	70	50	30	10	70	50	30	10	50	30	10	0	70	50	30	10	0
0 RCR	48	48	48	48	45	45	45	38	38	38	24						
1	45	43	41	40	41	40	38	34	33	32	21						
2	41	38	35	33	38	35	33	30	29	27	18						
3	38	34	30	28	35	31	29	27	25	23	16						
4	35	30	27	24	32	28	25	24	22	20	14						
5	32	27	23	21	30	25	22	22	20	18	12						
6	29	24	21	18	27	23	20	20	17	16	11						
7	27	22	19	16	25	21	18	18	16	14	10						
8	25	20	17	14	24	19	16	17	14	13	9						
9	24	18	15	13	22	17	14	15	13	11	8						
10	22	17	14	12	21	16	13	14	12	10	7						

Based on a floor reflectance of 0.2

### Avg. Luminance (cd/m²)

Vertical Angle	Horizontal Angle		
	0	45	90
55	2686	3382	6196
65	2276	2411	5709
75	1827	1701	2551
85	1216	1122	1403

IES files for this and other photometric options can be downloaded online at [www.ledalite.com](http://www.ledalite.com)

## Additional Information

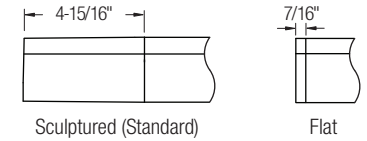
### Modules

Module length excludes endcaps.  
Nominal mount spacing for individually mounted modules.

Module	Mount Spacing
4ft	4' 0"
8ft	8' 0"
12ft*	12' 0"

\*12ft not available with Direct/Indirect

### Endcap

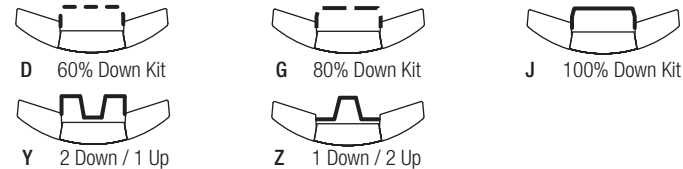


### Sling Mount Detail

Fixture uses 1/16" steel sling-mounted aircraft cable for horizontal leveling.



### Upper Optics



## Specifications

Due to continuing product improvements, Ledalite reserves the right to change specifications without notice.

### Housing

Die-formed 20 gauge cold-rolled steel.

### Weight

3.4 lb/ft.

### Optical System

Direct/Indirect: Constructed of 96% reflective white steel and specular aluminum to produce a direct/indirect distribution. Semi-specular louvers are aluminum and spaced 1-7/16" apart. White baffles are spaced 1-5/16" apart. Standard distribution is 70% up and 30% down. Optional field-installable Variable Optics kits provide additional downlight as required.

Semi-Indirect: Constructed of 96% reflective white steel with perforated housing and acrylic overlay to produce a semi-indirect distribution. Perforated housing available in round or slot perforation patterns.

High performance options use additional highly-specular aluminum reflectors.

### Endcaps

Available with either die-cast sculptured endcaps (standard) or flat die-cast endcaps (option).

### Joints

Self-aligning joining system with hands-free pre-joining wire access.

### Mounting

Fixture uses 1/16" steel sling-mounted aircraft cable for horizontal leveling. Aircraft cable gripper provides continuous vertical adjustment capability. Aircraft cable, crimp and cable gripper are independently tested to meet stringent safety requirements.

### Electrical

Factory pre-wired to section ends with quick-wire connectors.

### Ballast

Electronic.

### Approvals

Certified to UL and CSA standards.

### Finish

High-quality powder coat. Available in Ledalite Standard White (textured matte finish), and a selection of other factory and customer-specified colors. Consult factory for details.