

Sona™



Suspended
Direct/Indirect
3 T8



Project Name

Spec Type

Notes


Order Guide

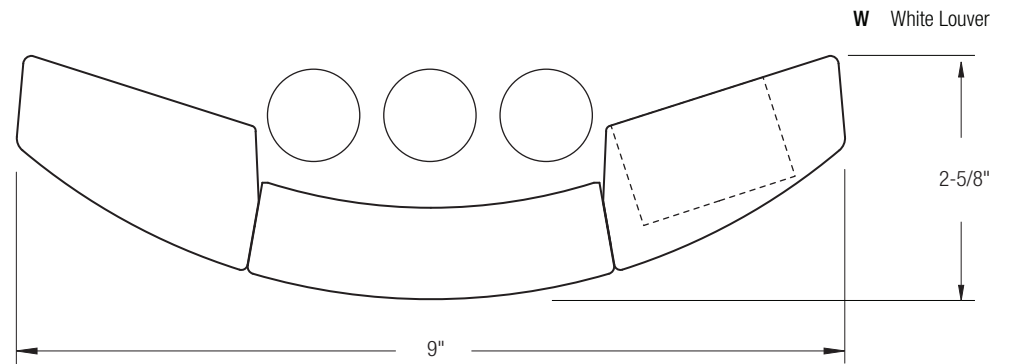
Some combinations of product options may not be available. Consult factory for assistance with your specification.

7706	T03			-		-		-		
Product Series & Type Sona Direct/Indirect	Lamping 3 T8	Lower Optics P Semi-Specular Louver W White Louver	Upper Optics N None D 60% Down Kit G 80% Down Kit J 100% Down Kit Y 2 Down / 1 Up Kit Z 1 Down / 2 Up Kit	Run Length <i>Enter the total run length in feet (4ft increments)</i>	Wiring 1 1 cct 2 2 cct 3 1 cct w/ Emergency cct 4 2 cct w/ Emergency cct 5 1 cct w/ Battery Pack 6 2 cct w/ Battery Pack 7 1 cct Dimming	Voltage 1 120V 2 277V 3 347V	Ballast E Standard Ballast Consult website for ballast manufacturer information	Color & Finish W Standard White C Factory Color X Custom Color Consult website for color and finish options		
									Mounting Hardware	
									<input type="text"/>	<input type="text"/>
									Mount Type Consult separate mounting spec sheet for mount type options	Suspension Length <i>Enter distance from ceiling to top of fixture in inches</i>

Upgrades & Accessories

Please indicate with check mark.

<input type="checkbox"/> Lamps Included	<input type="checkbox"/> Lamps Included and Installed
<input type="checkbox"/> Flat Endcap See details on reverse	<input type="checkbox"/> Dust Cover Only available with upper optics option N 
<input type="checkbox"/> Response Daylight (Integrated Controls) For details visit www.ledalite.com/response	



Sona™

Suspended
Direct/Indirect
3 T8



Photometry Optics WG White Louver w/ 80% Down Kit

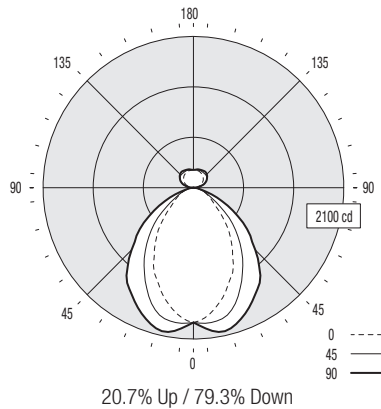
Report Summary

Report # 9900919
Filename 7706T03WG.ies
Efficiency 54.8%

Peak Candela Value* 276 @ 143°
Peak to Zenith Ratio* 1.1 : 1
* Between 90-180° vertical angle

Candela Distribution

Vertical Angle	Horizontal Angle					Zonal Lumens
	0	22.5	45	67.5	90	
0	1872	1872	1872	1872	1872	
5	1814	1850	1890	1927	1961	183
15	1580	1673	1831	1992	2021	510
25	1298	1432	1542	1745	1837	722
35	924	1058	1198	1462	1614	778
45	575	696	832	1095	1222	677
55	322	365	454	692	846	474
65	201	215	218	349	438	276
75	100	103	98	121	129	120
85	19	25	22	27	23	30
90	0	0	0	0	0	
95	23	43	52	51	42	47
105	79	116	134	122	123	125
115	126	166	190	188	191	174
125	164	190	227	231	231	189
135	193	210	247	261	263	183
145	218	228	250	270	276	156
155	234	242	255	264	269	117
165	244	246	252	262	264	72
175	248	248	250	251	250	24
180	248	248	248	248	248	



Coefficients of Utilization (%)

Ceiling: Wall:	80				70				50				0				
	70	50	30	10	70	50	30	10	50	30	10	0	70	50	30	10	0
0 RCR	62	62	62	62	59	59	59	54	54	54	42						
1	57	55	53	51	55	53	51	48	47	46	37						
2	53	49	46	43	50	47	44	43	41	39	32						
3	49	44	40	37	46	42	38	39	36	33	28						
4	45	39	35	32	43	38	34	35	32	29	24						
5	41	35	31	28	39	34	30	31	28	26	22						
6	38	32	28	24	37	31	27	29	25	23	19						
7	36	29	25	22	34	28	24	26	23	20	17						
8	33	27	22	19	32	26	22	24	21	18	16						
9	31	24	20	18	30	24	20	22	19	17	14						
10	29	23	19	16	28	22	18	21	17	15	13						

Based on a floor reflectance of 0.2

Avg. Luminance (cd/m²)

Vertical Angle	Horizontal Angle		
	0	45	90
55	4576	6452	12023
65	3877	4205	8448
75	3150	3087	4063
85	1777	2058	2151

IES files for this and other photometric options can be downloaded online at www.ledalite.com

Additional Information

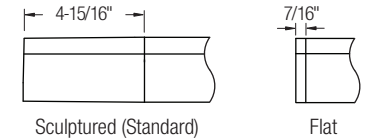
Modules

Module length excludes endcaps.
Nominal mount spacing for individually mounted modules.

Module	Mount Spacing
4ft	4' 0"
8ft	8' 0"
12ft*	12' 0"

*12ft not available with Direct/Indirect

Endcap

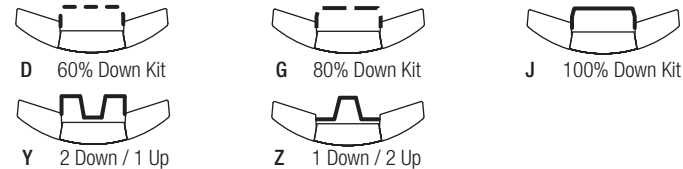


Sling Mount Detail

Fixture uses 1/16" steel sling-mounted aircraft cable for horizontal leveling.



Upper Optics



Specifications

Due to continuing product improvements, Ledalite reserves the right to change specifications without notice.

Housing

Die-formed 20 gauge cold-rolled steel.

Weight

3.4 lb/ft.

Optical System

Direct/Indirect: Constructed of 96% reflective white steel and specular aluminum to produce a direct/indirect distribution. Semi-specular louvers are aluminum and spaced 1-7/16" apart. White baffles are spaced 1-5/16" apart. Standard distribution is 70% up and 30% down. Optional field-installable Variable Optics kits provide additional downlight as required.

Semi-Indirect: Constructed of 96% reflective white steel with perforated housing and acrylic overlay to produce a semi-indirect distribution. Perforated housing available in round or slot perforation patterns.

High performance options use additional highly-specular aluminum reflectors.

Endcaps

Available with either die-cast sculptured endcaps (standard) or flat die-cast endcaps (option).

Joints

Self-aligning joining system with hands-free pre-joining wire access.

Mounting

Fixture uses 1/16" steel sling-mounted aircraft cable for horizontal leveling. Aircraft cable gripper provides continuous vertical adjustment capability. Aircraft cable, crimp and cable gripper are independently tested to meet stringent safety requirements.

Electrical

Factory pre-wired to section ends with quick-wire connectors.

Ballast

Electronic.

Approvals

Certified to UL and CSA standards.

Finish

High-quality powder coat. Available in Ledalite Standard White (textured matte finish), and a selection of other factory and customer-specified colors. Consult factory for details.