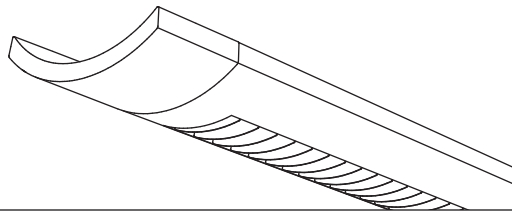


# Sona™



Suspended  
Direct/Indirect  
3 T8



Project Name

Spec Type

Notes


## Order Guide

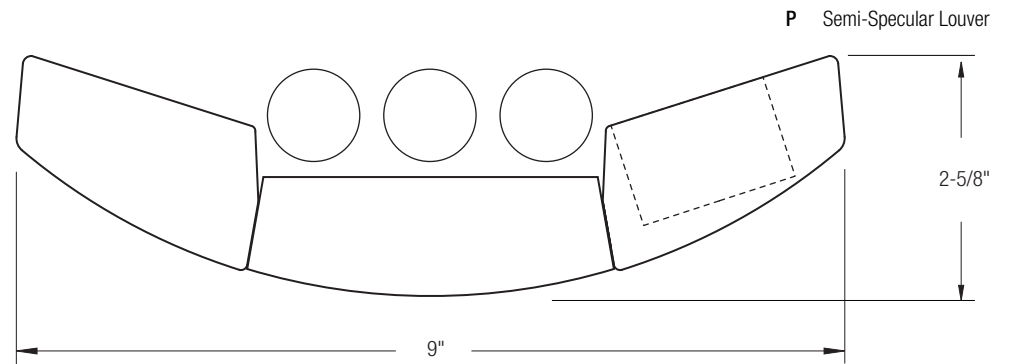
Some combinations of product options may not be available. Consult factory for assistance with your specification.

<b>7706</b>	<b>T03</b>	<input type="text"/>	<input type="text"/>	-	<input type="text"/>	-	<input type="text"/>	-	<input type="text"/>	-	<input type="text"/>
Product Series & Type Sona Direct/Indirect	Lamping 3 T8	Lower Optics <b>P</b> Semi-Specular Louver <b>W</b> White Louver	Upper Optics <b>N</b> None <b>D</b> 60% Down Kit <b>G</b> 80% Down Kit <b>J</b> 100% Down Kit <b>Y</b> 2 Down / 1 Up Kit <b>Z</b> 1 Down / 2 Up Kit	Run Length <i>Enter the total run length in feet (4ft increments)</i>	Wiring <b>1</b> 1 cct <b>2</b> 2 cct <b>3</b> 1 cct w/ Emergency cct <b>4</b> 2 cct w/ Emergency cct <b>5</b> 1 cct w/ Battery Pack <b>6</b> 2 cct w/ Battery Pack <b>7</b> 1 cct Dimming	Voltage <b>1</b> 120V <b>2</b> 277V <b>3</b> 347V	Ballast <b>E</b> Standard Ballast  Consult website for ballast manufacturer information	Color & Finish <b>W</b> Standard White <b>C</b> Factory Color <b>X</b> Custom Color  Consult website for color and finish options			
<b>Mounting Hardware</b>											
<input type="text"/>											
Mount Type Consult separate mounting spec sheet for mount type options						Suspension Length <i>Enter distance from ceiling to top of fixture in inches</i>					

## Upgrades & Accessories

Please indicate with check mark.

<input type="checkbox"/> Lamps Included	<input type="checkbox"/> Lamps Included and Installed
<input type="checkbox"/> Flat Endcap See details on reverse	<input type="checkbox"/> Dust Cover Only available with upper optics option N 
<input type="checkbox"/> Response Daylight (Integrated Controls) For details visit <a href="http://www.ledalite.com/response">www.ledalite.com/response</a>	



# Sona™

Suspended  
Direct/Indirect  
3 T8



## Photometry Optics PY Semi-Specular Louver w/ 2 Down / 1 Up Kit

### Report Summary

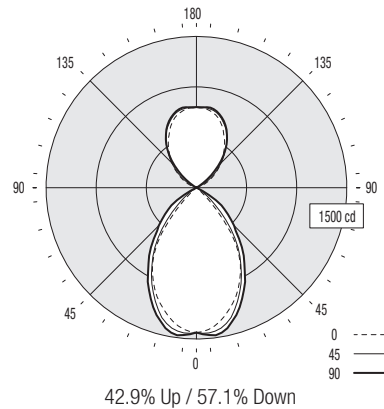
Report # 9900833  
Filename 7706T03PY.ies  
Efficiency 36%

Peak Candela Value\* 806 @ 170°  
Peak to Zenith Ratio\* 1 : 1  
\* Between 90-180° vertical angle

Meets RP-1-04 recommendations for VDT-Normal spaces

### Candela Distribution

Vertical Angle	Horizontal Angle					Zonal Lumens
	0	22.5	45	67.5	90	
0	1436	1436	1436	1436	1436	138
5	1411	1429	1446	1456	1467	369
15	1253	1307	1333	1339	1374	488
25	1020	1086	1052	1061	1120	457
35	691	736	723	751	823	272
45	177	255	342	440	531	110
55	0	22	80	231	305	0
65	0	0	6	13	15	0
75	0	0	0	0	0	0
85	0	0	0	0	0	0
90	0	0	0	0	0	0
95	0	0	0	0	0	0
105	3	0	0	0	0	2
115	98	54	28	2	0	37
125	210	182	183	127	80	143
135	343	327	347	322	306	254
145	487	494	521	502	524	315
155	631	652	674	661	684	303
165	746	754	772	764	784	214
175	794	795	803	812	799	78
180	800	800	800	800	800	0



### Coefficients of Utilization (%)

Ceiling:	80				70				50				0				
	70	50	30	10	70	50	30	10	70	50	30	10	70	50	30	10	
0 RCR	39	39	39	39	36	36	36	31	31	31	27	27	27	20	20	20	19
1	36	35	34	33	34	33	32	29	28	27	24	23	22	19	18	17	16
2	34	32	30	28	32	30	28	26	25	24	21	20	19	17	16	15	14
3	31	29	26	25	29	27	25	24	22	21	19	18	17	15	14	13	12
4	29	26	23	22	27	24	22	22	20	19	17	16	15	14	13	12	11
5	27	24	21	19	25	22	20	20	18	17	15	14	13	12	11	10	9
6	25	21	19	17	24	20	18	18	16	15	14	13	12	11	10	9	8
7	24	20	17	15	22	19	16	17	15	14	13	12	11	10	9	8	7
8	22	18	16	14	21	17	15	16	14	13	12	11	10	9	8	7	6
9	21	17	14	13	19	16	14	14	13	11	10	9	8	7	6	5	4
10	19	15	13	11	18	15	13	13	12	10	9	8	7	6	5	4	3

Based on a floor reflectance of 0.2

### Avg. Luminance (cd/m<sup>2</sup>)

Vertical Angle	Horizontal Angle		
	0	45	90
55	0	1137	4335
65	0	116	289
75	0	0	0
85	0	0	0

IES files for this and other photometric options can be downloaded online at [www.ledalite.com](http://www.ledalite.com)

## Additional Information

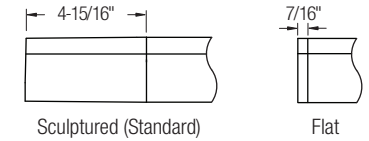
### Modules

Module length excludes endcaps.  
Nominal mount spacing for individually mounted modules.

Module	Mount Spacing
4ft	4' 0"
8ft	8' 0"
12ft*	12' 0"

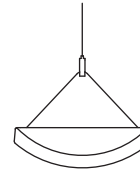
\*12ft not available with Direct/Indirect

### Endcap

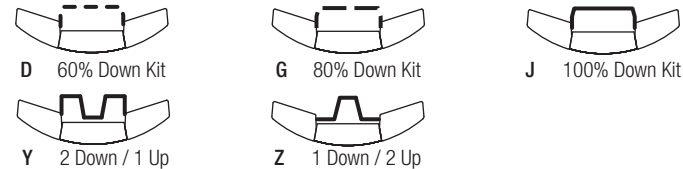


### Sling Mount Detail

Fixture uses 1/16" steel sling-mounted aircraft cable for horizontal leveling.



### Upper Optics



## Specifications

Due to continuing product improvements, Ledalite reserves the right to change specifications without notice.

### Housing

Die-formed 20 gauge cold-rolled steel.

### Weight

3.4 lb/ft.

### Optical System

Direct/Indirect: Constructed of 96% reflective white steel and specular aluminum to produce a direct/indirect distribution. Semi-specular louvers are aluminum and spaced 1-7/16" apart. White baffles are spaced 1-5/16" apart. Standard distribution is 70% up and 30% down. Optional field-installable Variable Optics kits provide additional downlight as required.

Semi-Indirect: Constructed of 96% reflective white steel with perforated housing and acrylic overlay to produce a semi-indirect distribution. Perforated housing available in round or slot perforation patterns.

High performance options use additional highly-specular aluminum reflectors.

### Endcaps

Available with either die-cast sculptured endcaps (standard) or flat die-cast endcaps (option).

### Joints

Self-aligning joining system with hands-free pre-joining wire access.

### Mounting

Fixture uses 1/16" steel sling-mounted aircraft cable for horizontal leveling. Aircraft cable gripper provides continuous vertical adjustment capability. Aircraft cable, crimp and cable gripper are independently tested to meet stringent safety requirements.

### Electrical

Factory pre-wired to section ends with quick-wire connectors.

### Ballast

Electronic.

### Approvals

Certified to UL and CSA standards.

### Finish

High-quality powder coat. Available in Ledalite Standard White (textured matte finish), and a selection of other factory and customer-specified colors. Consult factory for details.