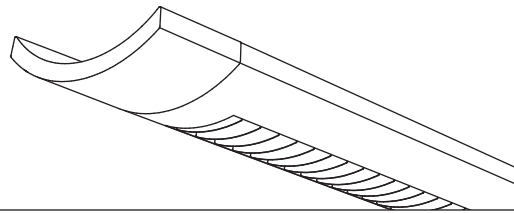


Sona™



Suspended
Direct/Indirect
3 T8



Project Name

Spec Type

Notes


Order Guide

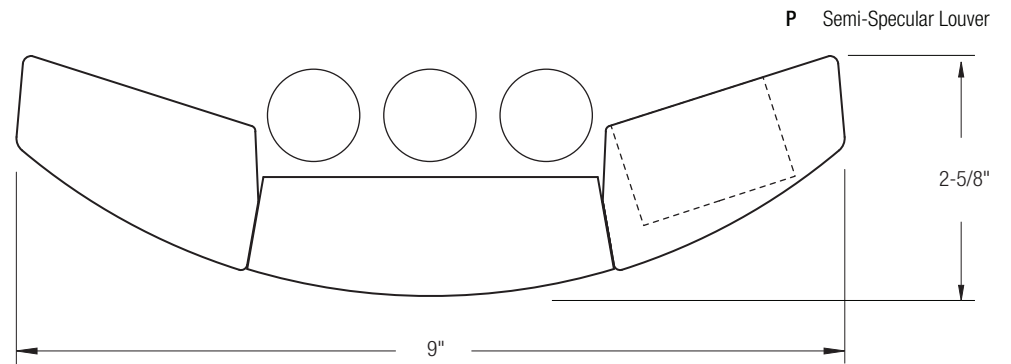
Some combinations of product options may not be available. Consult factory for assistance with your specification.

7706	T03	<input type="text"/>	<input type="text"/>	-	<input type="text"/>	-	<input type="text"/>	-	<input type="text"/>	-	<input type="text"/>
Product Series & Type Sona Direct/Indirect	Lamping 3 T8	Lower Optics P Semi-Specular Louver W White Louver	Upper Optics N None D 60% Down Kit G 80% Down Kit J 100% Down Kit Y 2 Down / 1 Up Kit Z 1 Down / 2 Up Kit	Run Length <i>Enter the total run length in feet (4ft increments)</i>	Wiring 1 1 cct 2 2 cct 3 1 cct w/ Emergency cct 4 2 cct w/ Emergency cct 5 1 cct w/ Battery Pack 6 2 cct w/ Battery Pack 7 1 cct Dimming	Voltage 1 120V 2 277V 3 347V	Ballast E Standard Ballast Consult website for ballast manufacturer information	Color & Finish W Standard White C Factory Color X Custom Color Consult website for color and finish options			
Mounting Hardware											
<input type="text"/>					<input type="text"/>						
Mount Type Consult separate mounting spec sheet for mount type options					Suspension Length <i>Enter distance from ceiling to top of fixture in inches</i>						

Upgrades & Accessories

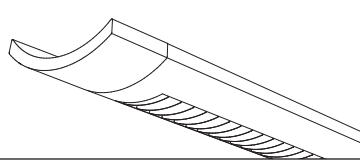
Please indicate with check mark.

<input type="checkbox"/> Lamps Included	<input type="checkbox"/> Lamps Included and Installed
<input type="checkbox"/> Flat Endcap See details on reverse	<input type="checkbox"/> Dust Cover Only available with upper optics option N 
<input type="checkbox"/> Response Daylight (Integrated Controls) For details visit www.ledalite.com/response	



Sona™

Suspended
Direct/Indirect
3 T8



Photometry Optics PN Semi-Specular Louver

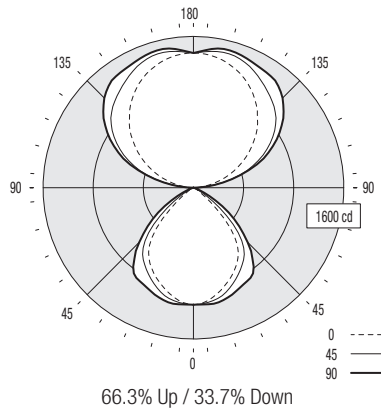
Report Summary

Report # 9900838 **Peak Candela Value*** 1503 @ 165°
Filename 7706T03PN.ies **Peak to Zenith Ratio*** 1.1 : 1
Efficiency 85.3% * Between 90-180° vertical angle

Meets RP-1-04 recommendations for VDT-Normal spaces

Candela Distribution

Vertical Angle	Horizontal Angle					Zonal Lumens
	0	22.5	45	67.5	90	
0	1237	1237	1237	1237	1237	
5	1220	1226	1230	1236	1239	119
15	1124	1144	1182	1221	1231	333
25	998	1032	1067	1135	1168	497
35	832	870	931	1036	1106	591
45	467	560	675	764	815	500
55	89	146	258	399	459	248
65	25	30	38	106	127	67
75	9	9	7	6	5	9
85	3	2	1	0	0	2
90	0	0	0	0	0	
95	74	110	138	128	142	139
105	285	425	506	492	518	481
115	525	671	818	851	881	751
125	756	870	1056	1121	1146	891
135	966	1058	1214	1310	1341	912
145	1139	1223	1317	1404	1438	820
155	1277	1346	1416	1453	1470	644
165	1371	1411	1466	1494	1503	410
175	1419	1427	1444	1458	1460	140
180	1425	1425	1425	1425	1425	



Coefficients of Utilization (%)

Ceiling:	80				70				50				0				
	70	50	30	10	70	50	30	10	50	30	10	0	70	50	30	10	0
0 RCR	87	87	87	87	79	79	79	62	62	62	26						
1	80	77	74	72	72	70	67	55	54	52	24						
2	74	68	63	60	66	62	58	49	47	44	21						
3	68	60	55	50	61	55	50	44	41	38	19						
4	62	54	48	43	56	49	44	39	36	33	16						
5	57	48	42	37	51	44	38	35	32	29	15						
6	53	43	37	32	47	39	34	32	28	25	13						
7	49	39	33	28	44	36	30	29	25	22	12						
8	45	35	29	25	41	32	27	26	22	20	11						
9	42	32	26	22	38	29	24	24	20	17	10						
10	39	29	24	20	35	27	22	22	18	16	9						

Based on a floor reflectance of 0.2

Avg. Luminance (cd/m²)

Vertical Angle	Horizontal Angle		
	0	45	90
55	1265	3667	6523
65	482	733	2450
75	283	220	157
85	281	94	0

IES files for this and other photometric options can be downloaded online at www.ledalite.com

Additional Information

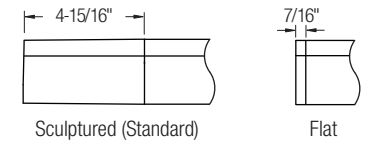
Modules

Module length excludes endcaps.
Nominal mount spacing for individually mounted modules.

Module	Mount Spacing
4ft	4' 0"
8ft	8' 0"
12ft*	12' 0"

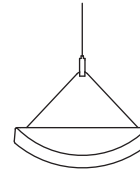
*12ft not available with Direct/Indirect

Endcap

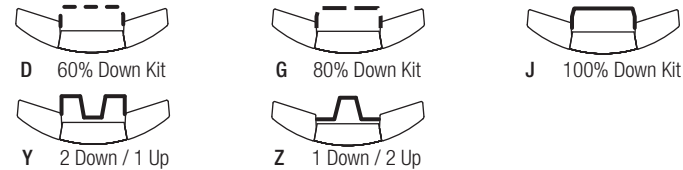


Sling Mount Detail

Fixture uses 1/16" steel sling-mounted aircraft cable for horizontal leveling.



Upper Optics



Specifications

Due to continuing product improvements, Ledalite reserves the right to change specifications without notice.

Housing

Die-formed 20 gauge cold-rolled steel.

Weight

3.4 lb/ft.

Optical System

Direct/Indirect: Constructed of 96% reflective white steel and specular aluminum to produce a direct/indirect distribution. Semi-specular louvers are aluminum and spaced 1-7/16" apart. White baffles are spaced 1-5/16" apart. Standard distribution is 70% up and 30% down. Optional field-installable Variable Optics kits provide additional downlight as required.

Semi-Indirect: Constructed of 96% reflective white steel with perforated housing and acrylic overlay to produce a semi-indirect distribution. Perforated housing available in round or slot perforation patterns.

High performance options use additional highly-specular aluminum reflectors.

Endcaps

Available with either die-cast sculptured endcaps (standard) or flat die-cast endcaps (option).

Joints

Self-aligning joining system with hands-free pre-joining wire access.

Mounting

Fixture uses 1/16" steel sling-mounted aircraft cable for horizontal leveling. Aircraft cable gripper provides continuous vertical adjustment capability. Aircraft cable, crimp and cable gripper are independently tested to meet stringent safety requirements.

Electrical

Factory pre-wired to section ends with quick-wire connectors.

Ballast

Electronic.

Approvals

Certified to UL and CSA standards.

Finish

High-quality powder coat. Available in Ledalite Standard White (textured matte finish), and a selection of other factory and customer-specified colors. Consult factory for details.