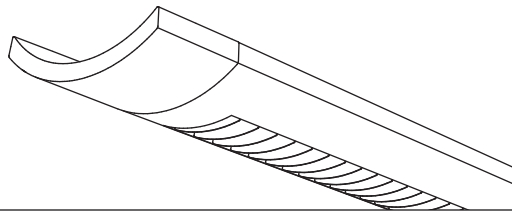


Sona™



Suspended
Direct/Indirect
3 T8



Project Name

Spec Type

Notes


Order Guide

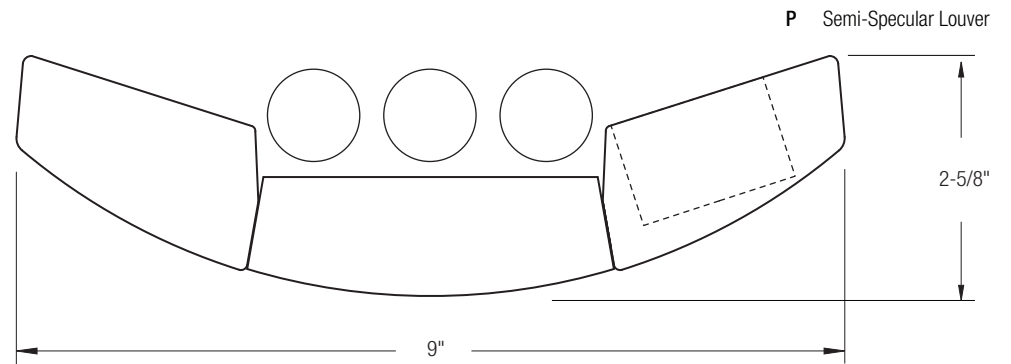
Some combinations of product options may not be available. Consult factory for assistance with your specification.

7706	T03			-		-		-	
Product Series & Type Sona Direct/Indirect	Lamping 3 T8	Lower Optics P Semi-Specular Louver W White Louver	Upper Optics N None D 60% Down Kit G 80% Down Kit J 100% Down Kit Y 2 Down / 1 Up Kit Z 1 Down / 2 Up Kit	Run Length <i>Enter the total run length in feet (4ft increments)</i>	Wiring 1 1 cct 2 2 cct 3 1 cct w/ Emergency cct 4 2 cct w/ Emergency cct 5 1 cct w/ Battery Pack 6 2 cct w/ Battery Pack 7 1 cct Dimming	Voltage 1 120V 2 277V 3 347V	Ballast E Standard Ballast Consult website for ballast manufacturer information	Color & Finish W Standard White C Factory Color X Custom Color Consult website for color and finish options	
Mounting Hardware									
					<input type="text"/>				
					Mount Type		Suspension Length		
					Consult separate mounting spec sheet for mount type options		Enter distance from ceiling to top of fixture in inches		

Upgrades & Accessories

Please indicate with check mark.

<input type="checkbox"/> Lamps Included	<input type="checkbox"/> Lamps Included and Installed
<input type="checkbox"/> Flat Endcap See details on reverse	<input type="checkbox"/> Dust Cover Only available with upper optics option N 
<input type="checkbox"/> Response Daylight (Integrated Controls) For details visit www.ledalite.com/response	



Sona™

Suspended
Direct/Indirect
3 T8



Photometry Optics PJ Semi-Specular Louver w/ 100% Down Kit

Report Summary

Report # 9900837
Filename 7706T03PJ.ies
Efficiency 41.9%

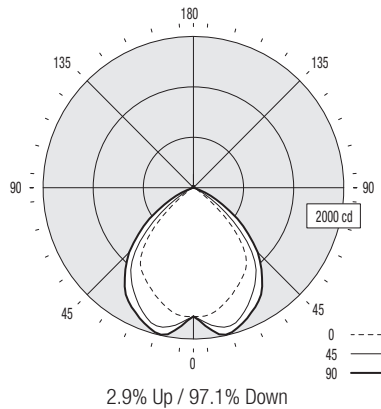
Peak Candela Value* N/A
Peak to Zenith Ratio* N/A : 1

* Between 90-180° vertical angle

Meets RP-1-04 recommendations for VDT-Normal spaces

Candela Distribution

Vertical Angle	Horizontal Angle					Zonal Lumens
	0	22.5	45	67.5	90	
0	1702	1702	1702	1702	1702	
5	1704	1731	1786	1816	1835	175
15	1586	1725	1892	1975	1978	519
25	1418	1631	1714	1799	1820	778
35	1231	1416	1444	1552	1594	903
45	734	899	1007	1129	1210	759
55	139	229	403	617	714	384
65	37	44	59	188	257	115
75	9	10	9	9	7	13
85	2	2	1	1	1	2
90	0	0	0	0	0	
95	3	3	5	6	6	4
105	4	5	6	7	7	7
115	4	7	9	9	9	8
125	5	9	12	13	14	9
135	5	11	15	17	18	12
145	6	13	17	20	22	10
155	6	12	19	22	24	8
165	6	7	15	22	24	4
175	5	6	6	6	7	0
180	5	5	5	5	5	



Coefficients of Utilization (%)

Ceiling:	80				70				50				0				
	70	50	30	10	70	50	30	10	50	30	10	0	70	50	30	10	0
0 RCR	49	49	49	49	48	48	48	46	46	46	41						
1	46	45	44	42	45	44	43	42	41	40	37						
2	43	41	38	37	42	40	38	38	37	35	33						
3	40	37	34	32	39	36	33	35	33	31	29						
4	37	33	30	28	36	33	30	31	29	27	26						
5	35	30	27	25	34	30	27	29	26	24	23						
6	32	27	24	22	31	27	24	26	24	22	20						
7	30	25	22	20	29	25	22	24	21	19	18						
8	28	23	20	18	27	23	20	22	19	17	16						
9	26	21	18	16	26	21	18	20	18	16	15						
10	25	20	17	15	24	19	16	19	16	14	14						

Based on a floor reflectance of 0.2

Avg. Luminance (cd/m²)

Vertical Angle	Horizontal Angle		
	0	45	90
55	1975	5727	10147
65	714	1138	4957
75	283	283	220
85	187	94	94

IES files for this and other photometric options can be downloaded online at www.ledalite.com

Additional Information

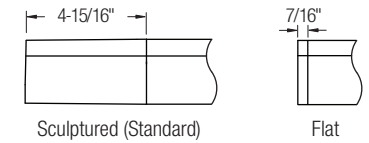
Modules

Module length excludes endcaps.
Nominal mount spacing for individually mounted modules.

Module	Mount Spacing
4ft	4' 0"
8ft	8' 0"
12ft*	12' 0"

*12ft not available with Direct/Indirect

Endcap

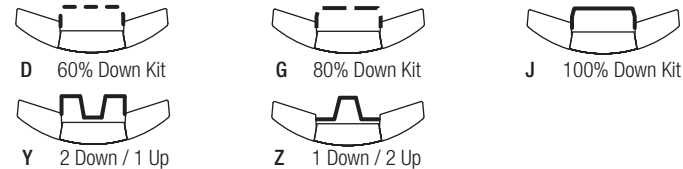


Sling Mount Detail

Fixture uses 1/16" steel sling-mounted aircraft cable for horizontal leveling.



Upper Optics



Specifications

Due to continuing product improvements, Ledalite reserves the right to change specifications without notice.

Housing

Die-formed 20 gauge cold-rolled steel.

Weight

3.4 lb/ft.

Optical System

Direct/Indirect: Constructed of 96% reflective white steel and specular aluminum to produce a direct/indirect distribution. Semi-specular louvers are aluminum and spaced 1-7/16" apart. White baffles are spaced 1-5/16" apart. Standard distribution is 70% up and 30% down. Optional field-installable Variable Optics kits provide additional downlight as required.

Semi-Indirect: Constructed of 96% reflective white steel with perforated housing and acrylic overlay to produce a semi-indirect distribution. Perforated housing available in round or slot perforation patterns.

High performance options use additional highly-specular aluminum reflectors.

Endcaps

Available with either die-cast sculptured endcaps (standard) or flat die-cast endcaps (option).

Joints

Self-aligning joining system with hands-free pre-joining wire access.

Mounting

Fixture uses 1/16" steel sling-mounted aircraft cable for horizontal leveling. Aircraft cable gripper provides continuous vertical adjustment capability. Aircraft cable, crimp and cable gripper are independently tested to meet stringent safety requirements.

Electrical

Factory pre-wired to section ends with quick-wire connectors.

Ballast

Electronic.

Approvals

Certified to UL and CSA standards.

Finish

High-quality powder coat. Available in Ledalite Standard White (textured matte finish), and a selection of other factory and customer-specified colors. Consult factory for details.