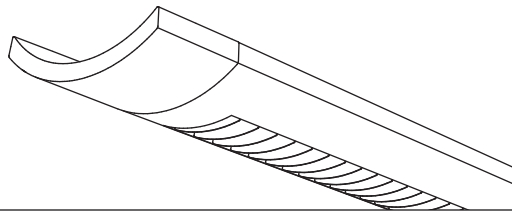


Sona™



Suspended
Direct/Indirect
3 T8



Project Name

Spec Type

Notes


Order Guide

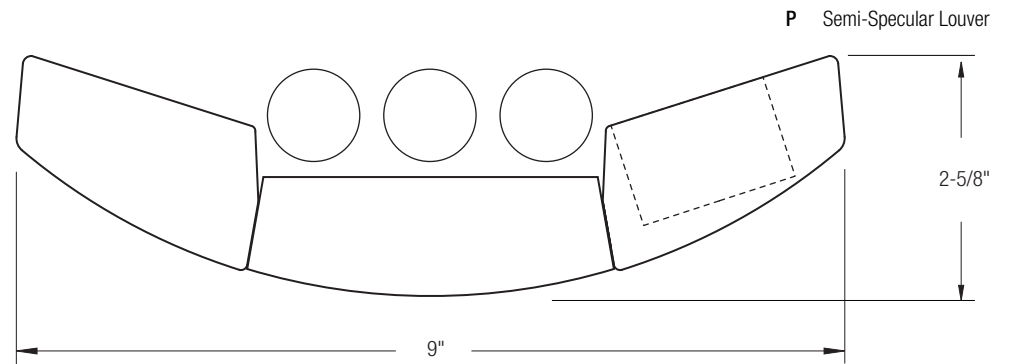
Some combinations of product options may not be available. Consult factory for assistance with your specification.

7706	T03			-		-		-		
Product Series & Type Sona Direct/Indirect	Lamping 3 T8	Lower Optics P Semi-Specular Louver W White Louver	Upper Optics N None D 60% Down Kit G 80% Down Kit J 100% Down Kit Y 2 Down / 1 Up Kit Z 1 Down / 2 Up Kit	Run Length <i>Enter the total run length in feet (4ft increments)</i>	Wiring 1 1 cct 2 2 cct 3 1 cct w/ Emergency cct 4 2 cct w/ Emergency cct 5 1 cct w/ Battery Pack 6 2 cct w/ Battery Pack 7 1 cct Dimming	Voltage 1 120V 2 277V 3 347V	Ballast E Standard Ballast Consult website for ballast manufacturer information	Color & Finish W Standard White C Factory Color X Custom Color Consult website for color and finish options		
									Mounting Hardware	
									<input type="text"/>	<input type="text"/>
									Mount Type Consult separate mounting spec sheet for mount type options	Suspension Length <i>Enter distance from ceiling to top of fixture in inches</i>

Upgrades & Accessories

Please indicate with check mark.

<input type="checkbox"/> Lamps Included	<input type="checkbox"/> Lamps Included and Installed
<input type="checkbox"/> Flat Endcap See details on reverse	<input type="checkbox"/> Dust Cover Only available with upper optics option N 
<input type="checkbox"/> Response Daylight (Integrated Controls) For details visit www.ledalite.com/response	



Sona™

Suspended
Direct/Indirect
3 T8



Photometry Optics PG Semi-Specular Louver w/ 80% Down Kit

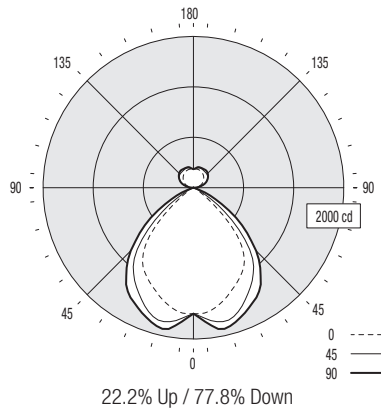
Report Summary

Report # 9900836 **Peak Candela Value*** 284 @ 145°
Filename 7706T03PG.ies **Peak to Zenith Ratio*** 1.2 : 1
Efficiency 52.2% * Between 90-180° vertical angle

Meets RP-1-04 recommendations for VDT-Normal spaces

Candela Distribution

Vertical Angle	Horizontal Angle					Zonal Lumens
	0	22.5	45	67.5	90	
0	1666	1666	1666	1666	1666	
5	1664	1688	1732	1764	1778	169
15	1545	1667	1812	1896	1893	499
25	1378	1564	1632	1726	1750	747
35	1182	1350	1386	1498	1562	869
45	702	849	967	1101	1179	733
55	140	222	396	607	693	373
65	35	41	59	185	247	112
75	10	10	9	7	6	12
85	2	1	1	1	0	2
90	0	0	0	0	0	0
95	27	40	50	45	44	46
105	78	120	135	124	122	126
115	125	166	191	192	192	175
125	162	193	231	235	235	192
135	194	216	252	267	268	187
145	220	241	260	279	284	162
155	240	256	271	278	282	123
165	249	258	271	279	281	76
175	248	250	252	255	256	24
180	245	245	245	245	245	



Coefficients of Utilization (%)

Ceiling:	80				70				50				0
	70	50	30	10	70	50	30	10	50	30	10	0	
0 RCR	59	59	59	59	56	56	56	51	51	51	39		
1	55	53	51	50	52	51	49	46	45	44	35		
2	51	48	45	43	49	46	43	42	40	38	31		
3	47	43	39	37	45	41	38	38	35	33	28		
4	44	39	35	32	42	37	34	34	31	29	25		
5	40	35	31	28	39	34	30	31	28	26	22		
6	37	32	28	25	36	30	27	28	25	23	20		
7	35	29	25	22	33	28	24	26	23	21	18		
8	32	26	22	20	31	25	22	24	21	18	16		
9	30	24	20	18	29	23	20	22	19	17	14		
10	28	22	19	16	27	22	18	20	17	15	13		

Based on a floor reflectance of 0.2

Avg. Luminance (cd/m²)

Vertical Angle	Horizontal Angle		
	0	45	90
55	1990	5628	9849
65	675	1138	4764
75	315	283	189
85	187	94	0

IES files for this and other photometric options can be downloaded online at www.ledalite.com

Additional Information

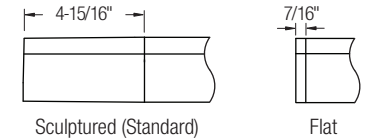
Modules

Module length excludes endcaps.
Nominal mount spacing for individually mounted modules.

Module	Mount Spacing
4ft	4' 0"
8ft	8' 0"
12ft*	12' 0"

*12ft not available with Direct/Indirect

Endcap

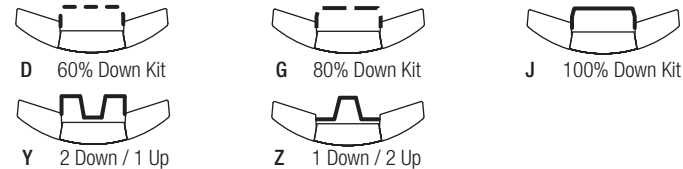


Sling Mount Detail

Fixture uses 1/16" steel sling-mounted aircraft cable for horizontal leveling.



Upper Optics



Specifications

Due to continuing product improvements, Ledalite reserves the right to change specifications without notice.

Housing

Die-formed 20 gauge cold-rolled steel.

Weight

3.4 lb/ft.

Optical System

Direct/Indirect: Constructed of 96% reflective white steel and specular aluminum to produce a direct/indirect distribution. Semi-specular louvers are aluminum and spaced 1-7/16" apart. White baffles are spaced 1-5/16" apart. Standard distribution is 70% up and 30% down. Optional field-installable Variable Optics kits provide additional downlight as required.

Semi-Indirect: Constructed of 96% reflective white steel with perforated housing and acrylic overlay to produce a semi-indirect distribution. Perforated housing available in round or slot perforation patterns.

High performance options use additional highly-specular aluminum reflectors.

Endcaps

Available with either die-cast sculptured endcaps (standard) or flat die-cast endcaps (option).

Joints

Self-aligning joining system with hands-free pre-joining wire access.

Mounting

Fixture uses 1/16" steel sling-mounted aircraft cable for horizontal leveling. Aircraft cable gripper provides continuous vertical adjustment capability. Aircraft cable, crimp and cable gripper are independently tested to meet stringent safety requirements.

Electrical

Factory pre-wired to section ends with quick-wire connectors.

Ballast

Electronic.

Approvals

Certified to UL and CSA standards.

Finish

High-quality powder coat. Available in Ledalite Standard White (textured matte finish), and a selection of other factory and customer-specified colors. Consult factory for details.