

Sona™



Suspended
Direct/Indirect
3 T8



Project Name

Spec Type

Notes


Order Guide

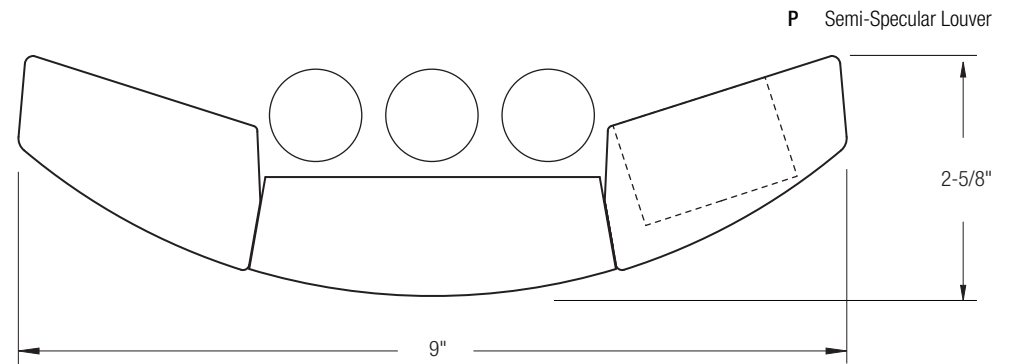
Some combinations of product options may not be available. Consult factory for assistance with your specification.

7706	T03			-		-		-		
Product Series & Type Sona Direct/Indirect	Lamping 3 T8	Lower Optics P Semi-Specular Louver W White Louver	Upper Optics N None D 60% Down Kit G 80% Down Kit J 100% Down Kit Y 2 Down / 1 Up Kit Z 1 Down / 2 Up Kit	Run Length <i>Enter the total run length in feet (4ft increments)</i>	Wiring 1 1 cct 2 2 cct 3 1 cct w/ Emergency cct 4 2 cct w/ Emergency cct 5 1 cct w/ Battery Pack 6 2 cct w/ Battery Pack 7 1 cct Dimming	Voltage 1 120V 2 277V 3 347V	Ballast E Standard Ballast Consult website for ballast manufacturer information	Color & Finish W Standard White C Factory Color X Custom Color Consult website for color and finish options		
									Mounting Hardware	
									<input type="text"/>	<input type="text"/>
									Mount Type Consult separate mounting spec sheet for mount type options	Suspension Length <i>Enter distance from ceiling to top of fixture in inches</i>

Upgrades & Accessories

Please indicate with check mark.

<input type="checkbox"/> Lamps Included	<input type="checkbox"/> Lamps Included and Installed
<input type="checkbox"/> Flat Endcap See details on reverse	<input type="checkbox"/> Dust Cover Only available with upper optics option N 
<input type="checkbox"/> Response Daylight (Integrated Controls) For details visit www.ledalite.com/response	



Sona™

Suspended
Direct/Indirect
3 T8



Photometry Optics PD Semi-Specular Louver w/ 60% Down Kit

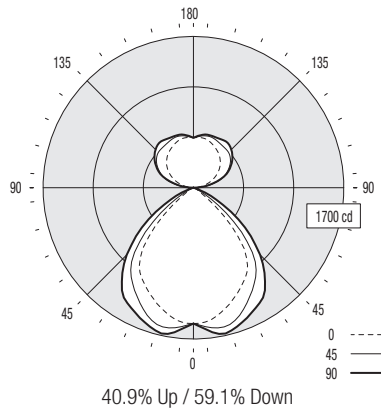
Report Summary

Report # 9900835 **Peak Candela Value*** 637 @ 145°
Filename 7706T03PD.ies **Peak to Zenith Ratio*** 1.1 : 1
Efficiency 62.7% * Between 90-180° vertical angle

Meets RP-1-04 recommendations for VDT-Normal spaces

Candela Distribution

Vertical Angle	Horizontal Angle					Zonal Lumens
	0	22.5	45	67.5	90	
0	1527	1527	1527	1527	1527	
5	1516	1537	1568	1588	1597	152
15	1402	1491	1592	1656	1661	441
25	1249	1375	1430	1517	1551	659
35	1066	1177	1227	1348	1409	772
45	611	737	858	989	1066	653
55	117	189	340	540	619	330
65	31	38	51	159	218	97
75	9	10	8	7	5	11
85	2	1	0	1	0	1
90	0	0	0	0	0	
95	45	73	98	97	95	92
105	152	244	296	280	277	271
115	260	356	421	433	435	384
125	355	420	511	530	535	426
135	429	475	562	600	605	415
145	486	527	574	624	637	358
155	529	564	595	613	620	272
165	564	580	602	614	617	168
175	567	570	575	580	585	57
180	561	561	561	561	561	



Coefficients of Utilization (%)

Ceiling:	80				70				50				0
	70	50	30	10	70	50	30	10	50	30	10	0	
0 RCR	68	68	68	68	63	63	63	54	54	54	35		
1	63	61	59	57	59	57	55	49	48	47	31		
2	58	54	51	48	54	51	48	44	42	40	28		
3	54	48	44	41	50	45	42	40	37	35	25		
4	49	43	39	35	46	41	37	36	33	30	22		
5	46	39	34	31	42	37	32	32	29	27	19		
6	42	35	30	27	39	33	29	29	26	23	17		
7	39	32	27	24	37	30	26	27	23	21	15		
8	36	29	24	21	34	28	23	24	21	19	14		
9	34	27	22	19	32	25	21	23	19	17	13		
10	32	24	20	17	30	23	19	21	18	15	12		

Based on a floor reflectance of 0.2

Avg. Luminance (cd/m²)

Vertical Angle	Horizontal Angle		
	0	45	90
55	1663	4832	8797
65	598	984	4205
75	283	252	157
85	187	0	0

IES files for this and other photometric options can be downloaded online at www.ledalite.com

Additional Information

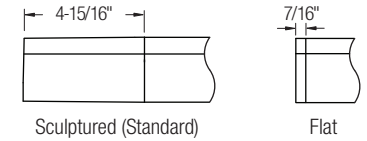
Modules

Module length excludes endcaps.
Nominal mount spacing for individually mounted modules.

Module	Mount Spacing
4ft	4' 0"
8ft	8' 0"
12ft*	12' 0"

*12ft not available with Direct/Indirect

Endcap

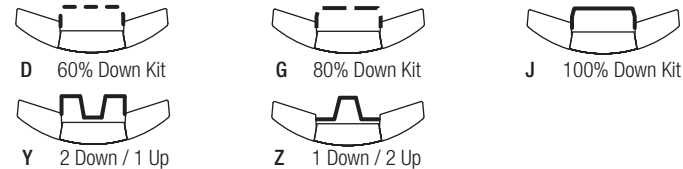


Sling Mount Detail

Fixture uses 1/16" steel sling-mounted aircraft cable for horizontal leveling.



Upper Optics



Specifications

Due to continuing product improvements, Ledalite reserves the right to change specifications without notice.

Housing

Die-formed 20 gauge cold-rolled steel.

Weight

3.4 lb/ft.

Optical System

Direct/Indirect: Constructed of 96% reflective white steel and specular aluminum to produce a direct/indirect distribution. Semi-specular louvers are aluminum and spaced 1-7/16" apart. White baffles are spaced 1-5/16" apart. Standard distribution is 70% up and 30% down. Optional field-installable Variable Optics kits provide additional downlight as required.

Semi-Indirect: Constructed of 96% reflective white steel with perforated housing and acrylic overlay to produce a semi-indirect distribution. Perforated housing available in round or slot perforation patterns.

High performance options use additional highly-specular aluminum reflectors.

Endcaps

Available with either die-cast sculptured endcaps (standard) or flat die-cast endcaps (option).

Joints

Self-aligning joining system with hands-free pre-joining wire access.

Mounting

Fixture uses 1/16" steel sling-mounted aircraft cable for horizontal leveling. Aircraft cable gripper provides continuous vertical adjustment capability. Aircraft cable, crimp and cable gripper are independently tested to meet stringent safety requirements.

Electrical

Factory pre-wired to section ends with quick-wire connectors.

Ballast

Electronic.

Approvals

Certified to UL and CSA standards.

Finish

High-quality powder coat. Available in Ledalite Standard White (textured matte finish), and a selection of other factory and customer-specified colors. Consult factory for details.