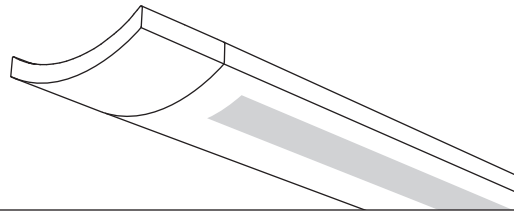


Sona™



Suspended
Semi-Indirect
3 T8



Project Name

Spec Type

Notes


Order Guide

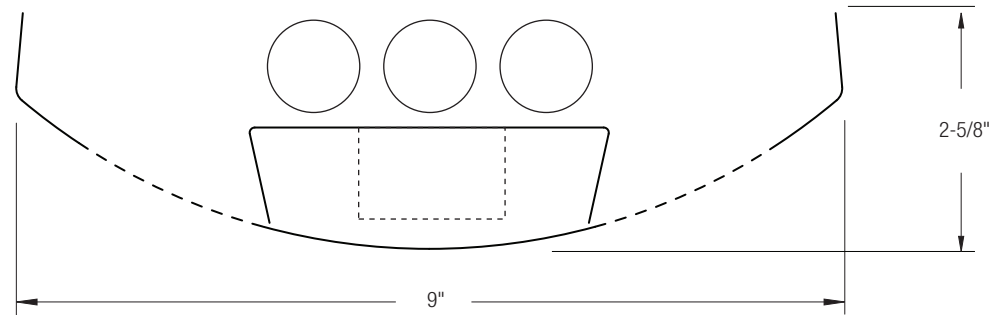
Some combinations of product options may not be available. Consult factory for assistance with your specification.

7705	T03	<input type="text"/>	<input type="text"/>	-	<input type="text"/>	-	<input type="text"/>	-	<input type="text"/>	-	<input type="text"/>
Product Series & Type Sona Semi-Indirect	Lamping 3 T8	Lower Optics L Round Perf Housing I Slot Perf Housing	Upper Optics N None	Run Length <i>Enter the total run length in feet (4ft increments)</i>	Wiring 1 1 cct 2 2 cct 3 1 cct w/ Emergency cct 4 2 cct w/ Emergency cct 5 1 cct w/ Battery Pack 6 2 cct w/ Battery Pack 7 1 cct Dimming	Voltage 1 120V 2 277V 3 347V	Ballast E Standard Ballast Consult website for ballast manufacturer information	Color & Finish W Standard White C Factory Color X Custom Color Consult website for color and finish options			
		See details on reverse	See details on reverse	See details on reverse	Consult website for complete list of standard wiring options						
Mounting Hardware											
				Mount Type	Suspension Length <i>Enter distance from ceiling to top of fixture in inches</i>						
				Consult separate mounting spec sheet for mount type options							

Upgrades & Accessories

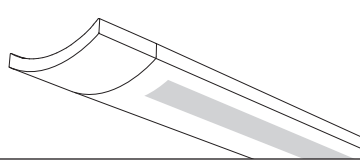
Please indicate with check mark.

<input type="checkbox"/> Lamps Included	<input type="checkbox"/> Lamps Included and Installed
<input type="checkbox"/> Flat Endcap See details on reverse	<input type="checkbox"/> Dust Cover Only available with upper optics option N 
<input type="checkbox"/> Response Daylight (Integrated Controls) For details visit www.ledalite.com/response	



Sona™

Suspended
Semi-Indirect
3 T8



Photometry Optics LN Round Perf Housing

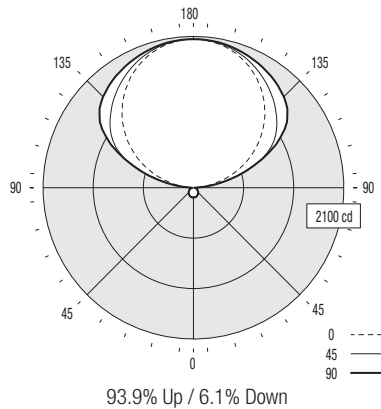
Report Summary

Report # 9900862 **Peak Candela Value*** 2062 @ 178°
Filename 7705T03LN.ies **Peak to Zenith Ratio*** 1 : 1
Efficiency 84.2% * Between 90-180° vertical angle

Meets RP-1-04 recommendations for VDT-Intensive spaces

Candela Distribution

Vertical Angle	Horizontal Angle					Zonal Lumens
	0	22.5	45	67.5	90	
0	135	135	135	135	135	
5	135	134	135	135	135	13
15	129	130	131	131	132	37
25	121	121	122	122	123	56
35	107	106	108	107	109	67
45	90	89	91	91	93	70
55	71	70	73	73	75	65
65	50	51	54	53	55	52
75	29	31	34	34	36	36
85	11	14	17	19	20	18
90	4	9	14	17	18	
95	110	130	158	132	152	169
105	431	588	647	615	637	627
115	789	921	1130	1144	1169	1029
125	1119	1198	1417	1550	1596	1231
135	1412	1455	1609	1739	1786	1235
145	1658	1681	1773	1859	1891	1110
155	1852	1863	1909	1949	1967	881
165	1983	1988	2007	2020	2028	567
175	2054	2053	2057	2057	2059	199
180	2062	2062	2062	2062	2062	



Coefficients of Utilization (%)

Ceiling: Wall:	80				70				50				0
	70	50	30	10	70	50	30	10	50	30	10	0	
0 RCR	81	81	81	81	70	70	70	49	49	49	4		
1	74	70	67	64	63	61	58	42	41	40	3		
2	67	61	56	52	57	53	49	37	35	33	3		
3	61	53	48	43	52	46	42	33	30	27	2		
4	55	47	41	36	47	41	36	29	25	23	2		
5	51	42	35	31	43	36	31	25	22	19	1		
6	46	37	31	26	40	32	27	23	19	17	1		
7	43	33	27	23	37	29	23	20	17	14	1		
8	39	30	24	20	34	26	21	18	15	12	1		
9	36	27	21	17	31	23	18	17	13	11	1		
10	34	24	19	15	29	21	16	15	12	10	1		

Based on a floor reflectance of 0.2

Avg. Luminance (cd/m²)

Vertical Angle	Horizontal Angle		
	0	45	90
55	456	422	417
65	436	404	388
75	413	375	364
85	465	381	375

IES files for this and other photometric options can be downloaded online at www.ledalite.com

Additional Information

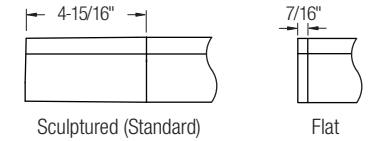
Modules

Module length excludes endcaps.
Nominal mount spacing for individually mounted modules.

Module	Mount Spacing
4ft	4' 0"
8ft	8' 0"
12ft*	12' 0"

*12ft not available with Direct/Indirect

Endcap

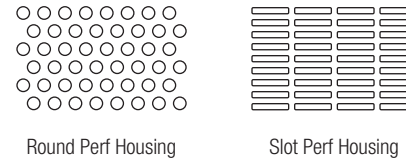


Sling Mount Detail

Fixture uses 1/16" steel sling-mounted aircraft cable for horizontal leveling.



Lower Optics



Specifications

Due to continuing product improvements, Ledalite reserves the right to change specifications without notice.

Housing

Die-formed 20 gauge cold-rolled steel.

Weight

3.4 lb/ft.

Optical System

Direct/Indirect: Constructed of 96% reflective white steel and specular aluminum to produce a direct/indirect distribution. Semi-specular louvers are aluminum and spaced 1-7/16" apart. White baffles are spaced 1-5/16" apart. Standard distribution is 70% up and 30% down. Optional field-installable Variable Optics kits provide additional downlight as required.

Semi-Indirect: Constructed of 96% reflective white steel with perforated housing and acrylic overlay to produce a semi-indirect distribution. Perforated housing available in round or slot perforation patterns.

High performance options use additional highly-specular aluminum reflectors.

Endcaps

Available with either die-cast sculptured endcaps (standard) or flat die-cast endcaps (option).

Joints

Self-aligning joining system with hands-free pre-joining wire access.

Mounting

Fixture uses 1/16" steel sling-mounted aircraft cable for horizontal leveling. Aircraft cable gripper provides continuous vertical adjustment capability. Aircraft cable, crimp and cable gripper are independently tested to meet stringent safety requirements.

Electrical

Factory pre-wired to section ends with quick-wire connectors.

Ballast

Electronic.

Approvals

Certified to UL and CSA standards.

Finish

High-quality powder coat. Available in Ledalite Standard White (textured matte finish), and a selection of other factory and customer-specified colors. Consult factory for details.