

Sona™



Suspended
Direct/Indirect
3 T5



Project Name

Spec Type

Notes


Order Guide

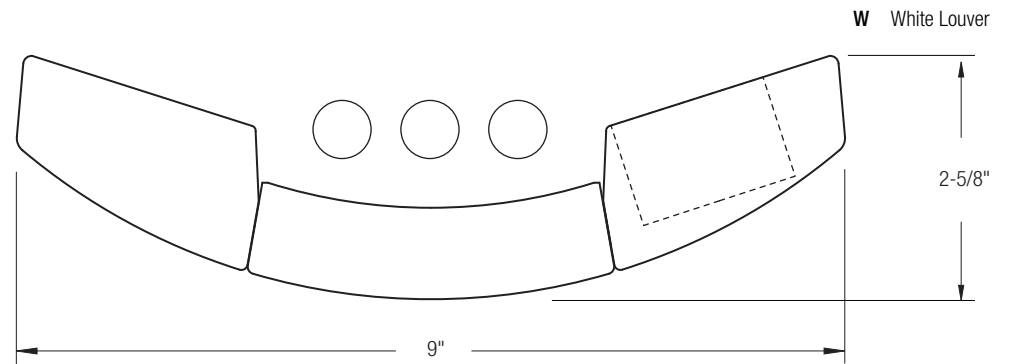
Some combinations of product options may not be available. Consult factory for assistance with your specification.

7706	F03			-		-		-		
Product Series & Type Sona Direct/Indirect	Lamping 3 T5	Lower Optics P Semi-Specular Louver W White Louver	Upper Optics N None D 60% Down Kit G 80% Down Kit J 100% Down Kit Y 2 Down / 1 Up Kit Z 1 Down / 2 Up Kit	Run Length <i>Enter the total run length in feet (4ft increments)</i>	Wiring 1 1 cct 2 2 cct 3 1 cct w/ Emergency cct 4 2 cct w/ Emergency cct 5 1 cct w/ Battery Pack 6 2 cct w/ Battery Pack 7 1 cct Dimming	Voltage 1 120V 2 277V 3 347V	Ballast E Standard Ballast Consult website for ballast manufacturer information	Color & Finish W Standard White C Factory Color X Custom Color Consult website for color and finish options		
									Mounting Hardware	
									<input type="text"/>	<input type="text"/>
									Mount Type Consult separate mounting spec sheet for mount type options	Suspension Length <i>Enter distance from ceiling to top of fixture in inches</i>

Upgrades & Accessories

Please indicate with check mark.

<input type="checkbox"/> Lamps Included	<input type="checkbox"/> Lamps Included and Installed
<input type="checkbox"/> Flat Endcap See details on reverse	<input type="checkbox"/> Dust Cover Only available with upper optics option N 
<input type="checkbox"/> Response Daylight (Integrated Controls) For details visit www.ledalite.com/response	



Sona™

Suspended
Direct/Indirect
3 T5



Photometry Optics WJ White Louver w/ 100% Down Kit

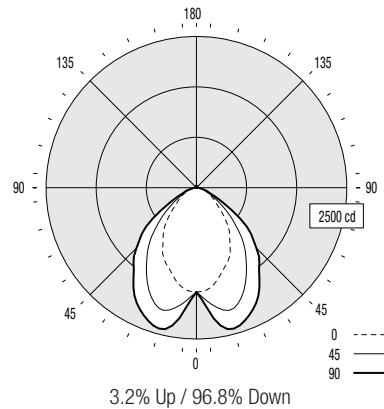
Report Summary

Report # 9900911
Filename 7706F03WJ.ies
Efficiency 50.1%

Peak Candela Value* N/A
Peak to Zenith Ratio* N/A : 1
* Between 90-180° vertical angle

Candela Distribution

Vertical Angle	Horizontal Angle					Zonal Lumens
	0	22.5	45	67.5	90	
0	1726	1726	1726	1726	1726	
5	1707	1760	1871	1892	1989	184
15	1506	1753	2099	2353	2410	571
25	1284	1618	1870	2164	2221	847
35	964	1292	1437	1760	1825	916
45	626	808	975	1293	1409	786
55	365	407	529	803	885	530
65	218	238	244	327	336	276
75	116	119	110	133	143	131
85	24	28	24	30	27	33
90	0	0	0	0	0	
95	4	6	11	15	8	10
105	6	7	7	8	8	8
115	10	13	13	10	10	12
125	11	14	18	18	18	15
135	12	15	19	23	24	16
145	14	20	20	24	25	12
155	15	23	23	24	26	11
165	16	19	26	30	30	7
175	16	17	17	18	18	2
180	16	16	16	16	16	



Coefficients of Utilization (%)

Ceiling:	80				70				50				0
	70	50	30	10	70	50	30	10	50	30	10	0	
0 RCR	59	59	59	59	58	58	58	55	55	55	49		
1	55	53	51	50	54	52	50	49	48	47	43		
2	51	47	44	42	49	46	44	44	42	40	37		
3	47	42	39	36	46	41	38	40	37	35	32		
4	43	38	34	31	42	37	34	36	33	30	28		
5	40	34	30	27	39	34	30	33	29	27	25		
6	37	31	27	24	36	31	27	30	26	24	22		
7	35	28	24	22	34	28	24	27	24	21	20		
8	32	26	22	19	32	26	22	25	22	19	18		
9	30	24	20	18	30	24	20	23	20	17	16		
10	28	22	19	16	28	22	18	21	18	16	15		

Based on a floor reflectance of 0.2

Avg. Luminance (cd/m²)

Vertical Angle	Horizontal Angle		
	0	45	90
55	5187	7518	12577
65	4205	4706	6481
75	3653	3464	4504
85	2245	2245	2525

IES files for this and other photometric options can be downloaded online at www.ledalite.com

Additional Information

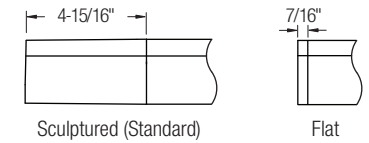
Modules

Module length excludes endcaps.
Nominal mount spacing for individually mounted modules.

Module	Mount Spacing
4ft	4' 0"
8ft	8' 0"
12ft*	12' 0"

*12ft not available with Direct/Indirect

Endcap

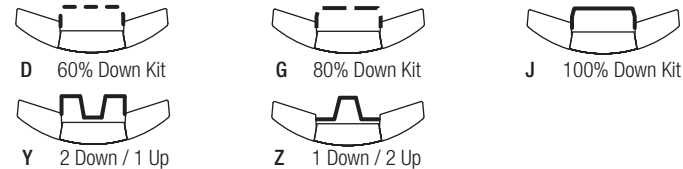


Sling Mount Detail

Fixture uses 1/16" steel sling-mounted aircraft cable for horizontal leveling.



Upper Optics



Specifications

Due to continuing product improvements, Ledalite reserves the right to change specifications without notice.

Housing

Die-formed 20 gauge cold-rolled steel.

Weight

3.4 lb/ft.

Optical System

Direct/Indirect: Constructed of 96% reflective white steel and specular aluminum to produce a direct/indirect distribution. Semi-specular louvers are aluminum and spaced 1-7/16" apart. White baffles are spaced 1-5/16" apart. Standard distribution is 70% up and 30% down. Optional field-installable Variable Optics kits provide additional downlight as required.

Semi-Indirect: Constructed of 96% reflective white steel with perforated housing and acrylic overlay to produce a semi-indirect distribution. Perforated housing available in round or slot perforation patterns.

High performance options use additional highly-specular aluminum reflectors.

Endcaps

Available with either die-cast sculptured endcaps (standard) or flat die-cast endcaps (option).

Joints

Self-aligning joining system with hands-free pre-joining wire access.

Mounting

Fixture uses 1/16" steel sling-mounted aircraft cable for horizontal leveling. Aircraft cable gripper provides continuous vertical adjustment capability. Aircraft cable, crimp and cable gripper are independently tested to meet stringent safety requirements.

Electrical

Factory pre-wired to section ends with quick-wire connectors.

Ballast

Electronic.

Approvals

Certified to UL and CSA standards.

Finish

High-quality powder coat. Available in Ledalite Standard White (textured matte finish), and a selection of other factory and customer-specified colors. Consult factory for details.