

Sona™



Suspended
Direct/Indirect
3 T5



Project Name

Spec Type

Notes


Order Guide

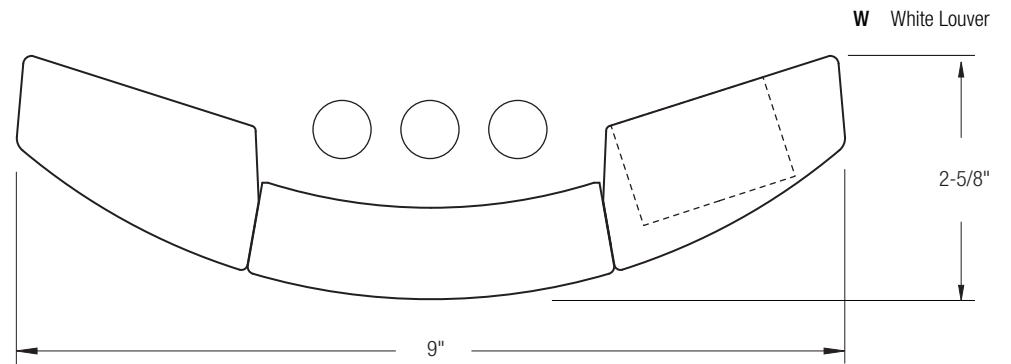
Some combinations of product options may not be available. Consult factory for assistance with your specification.

7706	F03			-		-		-		
Product Series & Type Sona Direct/Indirect	Lamping 3 T5	Lower Optics P Semi-Specular Louver W White Louver	Upper Optics N None D 60% Down Kit G 80% Down Kit J 100% Down Kit Y 2 Down / 1 Up Kit Z 1 Down / 2 Up Kit	Run Length <i>Enter the total run length in feet (4ft increments)</i>	Wiring 1 1 cct 2 2 cct 3 1 cct w/ Emergency cct 4 2 cct w/ Emergency cct 5 1 cct w/ Battery Pack 6 2 cct w/ Battery Pack 7 1 cct Dimming	Voltage 1 120V 2 277V 3 347V	Ballast E Standard Ballast Consult website for ballast manufacturer information	Color & Finish W Standard White C Factory Color X Custom Color Consult website for color and finish options		
									Mounting Hardware	
									<input type="text"/>	<input type="text"/>
									Mount Type Consult separate mounting spec sheet for mount type options	Suspension Length <i>Enter distance from ceiling to top of fixture in inches</i>

Upgrades & Accessories

Please indicate with check mark.

<input type="checkbox"/> Lamps Included	<input type="checkbox"/> Lamps Included and Installed
<input type="checkbox"/> Flat Endcap See details on reverse	<input type="checkbox"/> Dust Cover Only available with upper optics option N 
<input type="checkbox"/> Response Daylight (Integrated Controls) For details visit www.ledalite.com/response	



Sona™

Suspended
Direct/Indirect
3 T5



Photometry Optics WG White Louver w/ 80% Down Kit

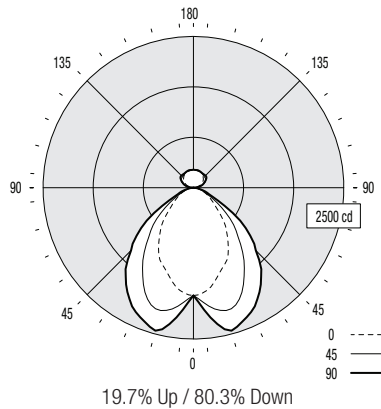
Report Summary

Report # 9900910
Filename 7706F03WG.ies
Efficiency 64.5%

Peak Candela Value* 299 @ 168°
Peak to Zenith Ratio* 1 : 1
* Between 90-180° vertical angle

Candela Distribution

Vertical Angle	Horizontal Angle					Zonal Lumens
	0	22.5	45	67.5	90	
0	1782	1782	1782	1782	1782	
5	1747	1808	1903	1972	2025	188
15	1529	1788	2102	2377	2447	578
25	1318	1632	1907	2183	2268	862
35	986	1312	1466	1836	1953	947
45	643	844	1003	1392	1467	826
55	378	416	572	856	950	563
65	230	252	250	360	349	294
75	116	121	111	137	156	135
85	28	29	26	31	32	34
90	0	0	0	0	0	
95	22	37	59	57	40	50
105	85	119	142	140	137	133
115	144	172	214	199	197	186
125	196	207	249	258	261	210
135	230	234	257	279	284	199
145	260	260	269	274	280	168
155	280	280	284	281	288	131
165	290	289	288	296	298	83
175	296	296	297	296	295	29
180	297	297	297	297	297	



Coefficients of Utilization (%)

Ceiling: Wall:	80				70				50				0			
	70	50	30	10	70	50	30	10	50	30	10	0	70	50	30	10
0 RCR	73	73	73	73	70	70	70	64	64	64	64	50	68	65	63	61
1	68	65	63	61	65	62	60	57	56	56	54	44	62	58	54	51
2	62	58	54	51	60	56	52	51	49	46	46	38	57	52	47	44
3	57	52	47	44	55	50	46	46	43	40	40	33	53	46	41	38
4	53	46	41	38	51	45	40	41	38	35	29	29	49	42	37	33
5	49	42	37	33	47	40	35	37	33	30	26	26	45	38	33	29
6	45	38	33	29	43	36	32	34	30	27	23	23	42	34	29	26
7	42	34	29	26	40	33	28	31	27	24	20	20	39	31	26	23
8	39	31	26	23	38	30	26	28	24	22	18	18	37	29	24	21
9	37	29	24	21	35	28	23	26	22	19	17	17	34	27	22	19
10	34	27	22	19	33	26	21	24	20	18	15	15				

Based on a floor reflectance of 0.2

Avg. Luminance (cd/m²)

Vertical Angle	Horizontal Angle		
	0	45	90
55	5372	8129	13501
65	4436	4822	6732
75	3653	3496	4913
85	2619	2432	2993

IES files for this and other photometric options can be downloaded online at www.ledalite.com

Additional Information

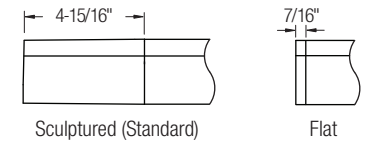
Modules

Module length excludes endcaps.
Nominal mount spacing for individually mounted modules.

Module	Mount Spacing
4ft	4' 0"
8ft	8' 0"
12ft*	12' 0"

*12ft not available with Direct/Indirect

Endcap

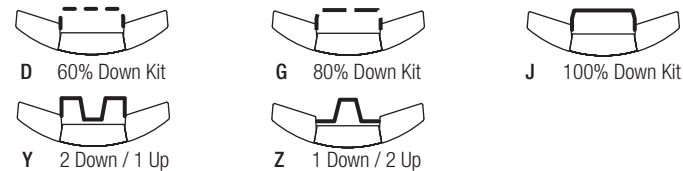


Sling Mount Detail

Fixture uses 1/16" steel sling-mounted aircraft cable for horizontal leveling.



Upper Optics



Specifications

Due to continuing product improvements, Ledalite reserves the right to change specifications without notice.

Housing

Die-formed 20 gauge cold-rolled steel.

Weight

3.4 lb/ft.

Optical System

Direct/Indirect: Constructed of 96% reflective white steel and specular aluminum to produce a direct/indirect distribution. Semi-specular louvers are aluminum and spaced 1-7/16" apart. White baffles are spaced 1-5/16" apart. Standard distribution is 70% up and 30% down. Optional field-installable Variable Optics kits provide additional downlight as required.

Semi-Indirect: Constructed of 96% reflective white steel with perforated housing and acrylic overlay to produce a semi-indirect distribution. Perforated housing available in round or slot perforation patterns.

High performance options use additional highly-specular aluminum reflectors.

Endcaps

Available with either die-cast sculptured endcaps (standard) or flat die-cast endcaps (option).

Joints

Self-aligning joining system with hands-free pre-joining wire access.

Mounting

Fixture uses 1/16" steel sling-mounted aircraft cable for horizontal leveling. Aircraft cable gripper provides continuous vertical adjustment capability. Aircraft cable, crimp and cable gripper are independently tested to meet stringent safety requirements.

Electrical

Factory pre-wired to section ends with quick-wire connectors.

Ballast

Electronic.

Approvals

Certified to UL and CSA standards.

Finish

High-quality powder coat. Available in Ledalite Standard White (textured matte finish), and a selection of other factory and customer-specified colors. Consult factory for details.