

Sona™



Suspended
Direct/Indirect
3 T5



Project Name

Spec Type

Notes


Order Guide

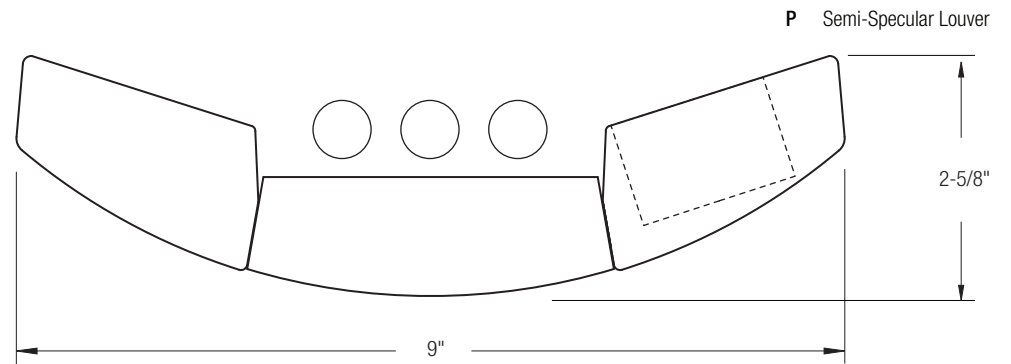
Some combinations of product options may not be available. Consult factory for assistance with your specification.

7706	F03	<input type="text"/>	<input type="text"/>	-	<input type="text"/>	-	<input type="text"/>	-	<input type="text"/>	-	<input type="text"/>
Product Series & Type Sona Direct/Indirect	Lamping 3 T5	Lower Optics P Semi-Specular Louver W White Louver	Upper Optics N None D 60% Down Kit G 80% Down Kit J 100% Down Kit Y 2 Down / 1 Up Kit Z 1 Down / 2 Up Kit	Run Length <i>Enter the total run length in feet (4ft increments)</i>	Wiring 1 1 cct 2 2 cct 3 1 cct w/ Emergency cct 4 2 cct w/ Emergency cct 5 1 cct w/ Battery Pack 6 2 cct w/ Battery Pack 7 1 cct Dimming	Voltage 1 120V 2 277V 3 347V	Ballast E Standard Ballast Consult website for ballast manufacturer information	Color & Finish W Standard White C Factory Color X Custom Color Consult website for color and finish options			
Mounting Hardware											
<input type="text"/>					<input type="text"/>						
Mount Type Consult separate mounting spec sheet for mount type options					Suspension Length <i>Enter distance from ceiling to top of fixture in inches</i>						

Upgrades & Accessories

Please indicate with check mark.

<input type="checkbox"/> Lamps Included	<input type="checkbox"/> Lamps Included and Installed
<input type="checkbox"/> Flat Endcap See details on reverse	<input type="checkbox"/> Dust Cover Only available with upper optics option N 
<input type="checkbox"/> Response Daylight (Integrated Controls) For details visit www.ledalite.com/response	



Sona™

Suspended
Direct/Indirect
3 T5



Photometry Optics PZ Semi-Specular Louver w/ 1 Down / 2 Up Kit

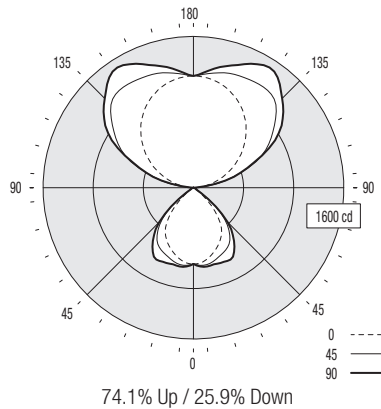
Report Summary

Report # 9900890 **Peak Candela Value*** 1508 @ 148°
Filename 7706F03PZ.ies **Peak to Zenith Ratio*** 1.3 : 1
Efficiency 72.7% * Between 90-180° vertical angle

Meets RP-1-04 recommendations for VDT-Intensive spaces

Candela Distribution

Vertical Angle	Horizontal Angle					Zonal Lumens
	0	22.5	45	67.5	90	
0	808	808	808	808	808	
5	800	810	824	833	836	80
15	737	775	808	833	839	226
25	647	703	756	826	855	350
35	519	597	677	749	760	411
45	278	348	469	520	513	326
55	54	93	120	144	104	109
65	14	19	16	22	24	20
75	6	6	3	2	1	4
85	2	1	0	0	0	0
90	0	0	0	0	0	0
95	63	81	82	41	48	92
105	235	402	430	428	447	418
115	427	646	799	794	806	704
125	619	847	1032	1112	1146	863
135	790	972	1241	1302	1335	883
145	938	1075	1300	1456	1500	788
155	1057	1147	1285	1402	1447	588
165	1136	1181	1259	1314	1331	352
175	1176	1185	1204	1219	1222	117
180	1182	1182	1182	1182	1182	



Coefficients of Utilization (%)

Ceiling:	80				70				50				0
	70	50	30	10	70	50	30	10	50	30	10	0	
0 RCR	73	73	73	73	65	65	65	50	50	50	17		
1	67	64	62	60	60	57	55	44	43	42	15		
2	62	57	53	49	55	51	47	39	37	35	14		
3	56	50	46	42	50	45	41	35	32	30	12		
4	52	45	40	36	46	40	36	31	28	26	11		
5	48	40	35	31	42	36	31	28	25	23	10		
6	44	36	30	27	39	32	28	25	22	20	9		
7	40	32	27	23	36	29	25	23	20	17	8		
8	37	29	24	20	33	26	22	21	18	15	7		
9	35	27	22	18	31	24	20	19	16	14	6		
10	32	24	19	16	29	22	18	18	14	12	6		

Based on a floor reflectance of 0.2

Avg. Luminance (cd/m²)

Vertical Angle	Horizontal Angle		
	0	45	90
55	767	1705	1478
65	270	309	463
75	189	94	31
85	187	0	0

IES files for this and other photometric options can be downloaded online at www.ledalite.com

Additional Information

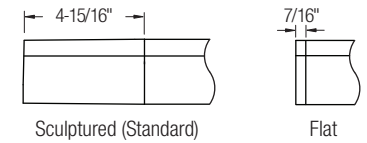
Modules

Module length excludes endcaps.
Nominal mount spacing for individually mounted modules.

Module	Mount Spacing
4ft	4' 0"
8ft	8' 0"
12ft*	12' 0"

*12ft not available with Direct/Indirect

Endcap

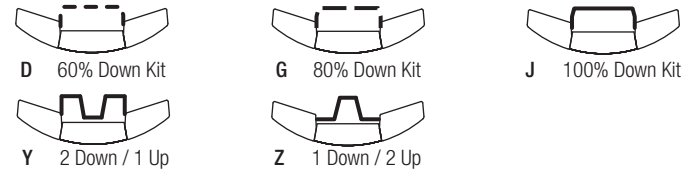


Sling Mount Detail

Fixture uses 1/16" steel sling-mounted aircraft cable for horizontal leveling.



Upper Optics



Specifications

Due to continuing product improvements, Ledalite reserves the right to change specifications without notice.

Housing

Die-formed 20 gauge cold-rolled steel.

Weight

3.4 lb/ft.

Optical System

Direct/Indirect: Constructed of 96% reflective white steel and specular aluminum to produce a direct/indirect distribution. Semi-specular louvers are aluminum and spaced 1-7/16" apart. White baffles are spaced 1-5/16" apart. Standard distribution is 70% up and 30% down. Optional field-installable Variable Optics kits provide additional downlight as required.

Semi-Indirect: Constructed of 96% reflective white steel with perforated housing and acrylic overlay to produce a semi-indirect distribution. Perforated housing available in round or slot perforation patterns.

High performance options use additional highly-specular aluminum reflectors.

Endcaps

Available with either die-cast sculptured endcaps (standard) or flat die-cast endcaps (option).

Joints

Self-aligning joining system with hands-free pre-joining wire access.

Mounting

Fixture uses 1/16" steel sling-mounted aircraft cable for horizontal leveling. Aircraft cable gripper provides continuous vertical adjustment capability. Aircraft cable, crimp and cable gripper are independently tested to meet stringent safety requirements.

Electrical

Factory pre-wired to section ends with quick-wire connectors.

Ballast

Electronic.

Approvals

Certified to UL and CSA standards.

Finish

High-quality powder coat. Available in Ledalite Standard White (textured matte finish), and a selection of other factory and customer-specified colors. Consult factory for details.