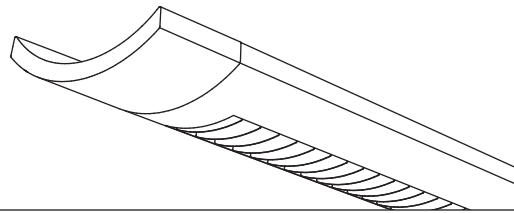


Sona™



Suspended
Direct/Indirect
3 T5



Project Name

Spec Type

Notes


Order Guide

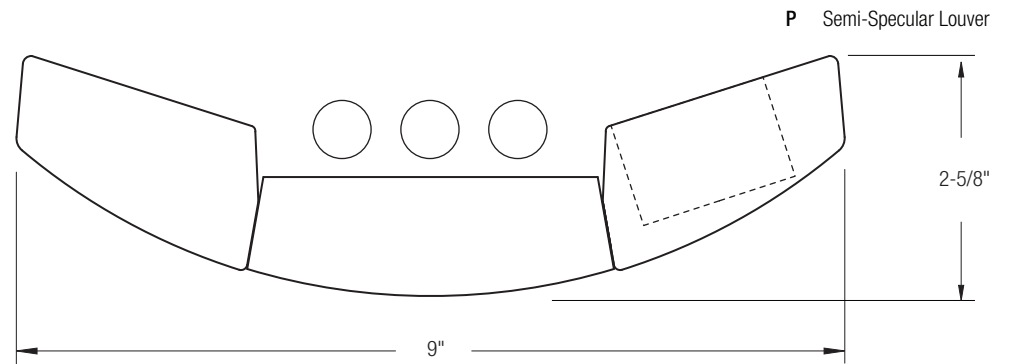
Some combinations of product options may not be available. Consult factory for assistance with your specification.

7706	F03			-		-		-	
Product Series & Type Sona Direct/Indirect	Lamping 3 T5	Lower Optics P Semi-Specular Louver W White Louver	Upper Optics N None D 60% Down Kit G 80% Down Kit J 100% Down Kit Y 2 Down / 1 Up Kit Z 1 Down / 2 Up Kit	Run Length <i>Enter the total run length in feet (4ft increments)</i>	Wiring 1 1 cct 2 2 cct 3 1 cct w/ Emergency cct 4 2 cct w/ Emergency cct 5 1 cct w/ Battery Pack 6 2 cct w/ Battery Pack 7 1 cct Dimming	Voltage 1 120V 2 277V 3 347V	Ballast E Standard Ballast Consult website for ballast manufacturer information	Color & Finish W Standard White C Factory Color X Custom Color Consult website for color and finish options	
Mounting Hardware									
Mount Type <input type="text"/>				Suspension Length <i>Enter distance from ceiling to top of fixture in inches</i> <input type="text"/>					
See details on reverse				See details on reverse		See details on reverse		Consult separate mounting spec sheet for mount type options	

Upgrades & Accessories

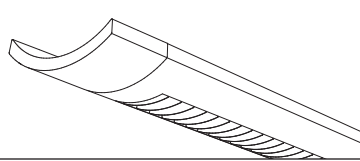
Please indicate with check mark.

<input type="checkbox"/> Lamps Included	<input type="checkbox"/> Lamps Included and Installed
<input type="checkbox"/> Flat Endcap See details on reverse	<input type="checkbox"/> Dust Cover Only available with upper optics option N 
<input type="checkbox"/> Response Daylight (Integrated Controls) For details visit www.ledalite.com/response	



Sona™

Suspended
Direct/Indirect
3 T5



Photometry Optics PN Semi-Specular Louver

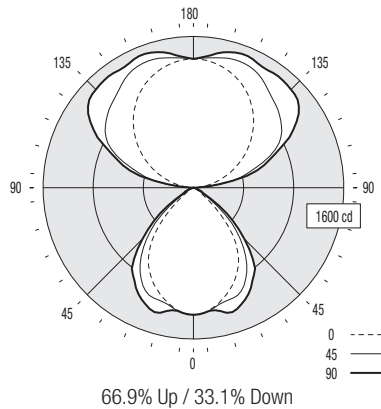
Report Summary

Report # 9900884 **Peak Candela Value*** 1508 @ 158°
Filename 7706F03PN.ies **Peak to Zenith Ratio*** 1.1 : 1
Efficiency 90.6% * Between 90-180° vertical angle

Meets RP-1-04 recommendations for VDT-Normal spaces

Candela Distribution

Vertical Angle	Horizontal Angle					Zonal Lumens
	0	22.5	45	67.5	90	
0	1344	1344	1344	1344	1344	128
5	1327	1330	1331	1333	1329	360
15	1215	1223	1252	1333	1370	544
25	1056	1078	1205	1279	1304	613
35	819	916	989	1064	1124	484
45	423	551	645	742	765	208
55	89	145	221	321	332	51
65	24	30	32	72	99	9
75	9	9	7	6	5	2
85	3	2	1	1	0	0
90	0	0	0	0	0	161
95	67	134	165	118	146	576
105	263	486	601	660	697	843
115	481	685	963	1004	1041	971
125	698	864	1143	1313	1368	945
135	901	1048	1239	1411	1468	822
145	1073	1196	1333	1433	1481	640
155	1213	1293	1414	1479	1499	398
165	1306	1343	1418	1470	1485	134
175	1356	1364	1378	1390	1391	134
180	1363	1363	1363	1363	1363	



Coefficients of Utilization (%)

Ceiling:	80				70				50				0			
	70	50	30	10	70	50	30	10	70	50	30	10	70	50	30	10
0 RCR	93	93	93	93	83	83	83	65	65	65	65	27				
1	85	82	79	76	76	74	71	58	57	55	25					
2	78	72	67	63	70	65	61	52	49	47	22					
3	72	64	58	54	64	58	53	47	43	40	19					
4	66	57	51	46	59	52	46	42	38	35	17					
5	61	51	44	40	55	46	41	38	34	30	16					
6	56	46	39	34	50	42	36	34	30	27	14					
7	52	42	35	30	47	38	32	31	27	24	13					
8	48	38	31	27	43	34	29	28	24	21	11					
9	45	34	28	24	40	31	26	26	22	19	10					
10	42	31	25	21	38	29	23	24	20	17	9					

Based on a floor reflectance of 0.2

Avg. Luminance (cd/m²)

Vertical Angle	Horizontal Angle		
	0	45	90
55	1265	3141	4718
65	463	617	1910
75	283	220	157
85	281	94	0

IES files for this and other photometric options can be downloaded online at www.ledalite.com

Additional Information

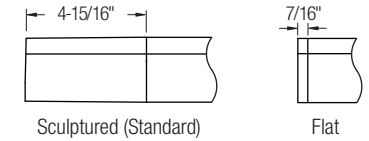
Modules

Module length excludes endcaps.
Nominal mount spacing for individually mounted modules.

Module	Mount Spacing
4ft	4' 0"
8ft	8' 0"
12ft*	12' 0"

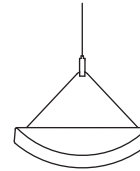
*12ft not available with Direct/Indirect

Endcap

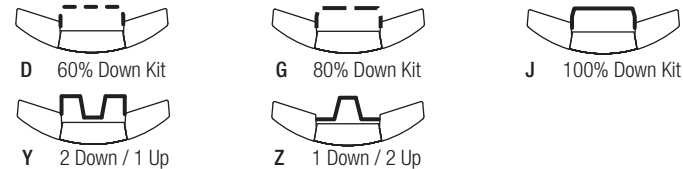


Sling Mount Detail

Fixture uses 1/16" steel sling-mounted aircraft cable for horizontal leveling.



Upper Optics



Specifications

Due to continuing product improvements, Ledalite reserves the right to change specifications without notice.

Housing

Die-formed 20 gauge cold-rolled steel.

Weight

3.4 lb/ft.

Optical System

Direct/Indirect: Constructed of 96% reflective white steel and specular aluminum to produce a direct/indirect distribution. Semi-specular louvers are aluminum and spaced 1-7/16" apart. White baffles are spaced 1-5/16" apart. Standard distribution is 70% up and 30% down. Optional field-installable Variable Optics kits provide additional downlight as required.

Semi-Indirect: Constructed of 96% reflective white steel with perforated housing and acrylic overlay to produce a semi-indirect distribution. Perforated housing available in round or slot perforation patterns.

High performance options use additional highly-specular aluminum reflectors.

Endcaps

Available with either die-cast sculptured endcaps (standard) or flat die-cast endcaps (option).

Joints

Self-aligning joining system with hands-free pre-joining wire access.

Mounting

Fixture uses 1/16" steel sling-mounted aircraft cable for horizontal leveling. Aircraft cable gripper provides continuous vertical adjustment capability. Aircraft cable, crimp and cable gripper are independently tested to meet stringent safety requirements.

Electrical

Factory pre-wired to section ends with quick-wire connectors.

Ballast

Electronic.

Approvals

Certified to UL and CSA standards.

Finish

High-quality powder coat. Available in Ledalite Standard White (textured matte finish), and a selection of other factory and customer-specified colors. Consult factory for details.