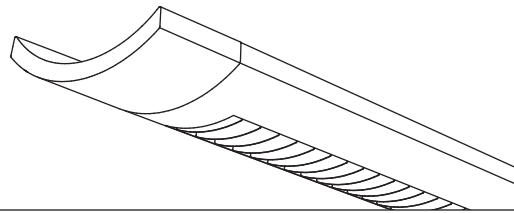


Sona™



Suspended
Direct/Indirect
3 T5



Project Name

Spec Type

Notes


Order Guide

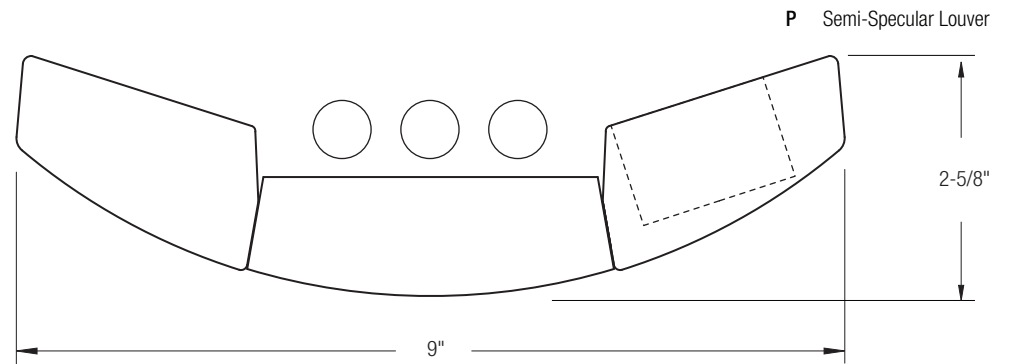
Some combinations of product options may not be available. Consult factory for assistance with your specification.

7706	F03	<input type="text"/>	<input type="text"/>	-	<input type="text"/>	-	<input type="text"/>	-	<input type="text"/>	-	<input type="text"/>
Product Series & Type Sona Direct/Indirect	Lamping 3 T5	Lower Optics P Semi-Specular Louver W White Louver	Upper Optics N None D 60% Down Kit G 80% Down Kit J 100% Down Kit Y 2 Down / 1 Up Kit Z 1 Down / 2 Up Kit	Run Length <i>Enter the total run length in feet (4ft increments)</i>	Wiring 1 1 cct 2 2 cct 3 1 cct w/ Emergency cct 4 2 cct w/ Emergency cct 5 1 cct w/ Battery Pack 6 2 cct w/ Battery Pack 7 1 cct Dimming	Voltage 1 120V 2 277V 3 347V	Ballast E Standard Ballast Consult website for ballast manufacturer information	Color & Finish W Standard White C Factory Color X Custom Color Consult website for color and finish options			
Mounting Hardware											
<input type="text"/>					<input type="text"/>						
Mount Type Consult separate mounting spec sheet for mount type options					Suspension Length <i>Enter distance from ceiling to top of fixture in inches</i>						

Upgrades & Accessories

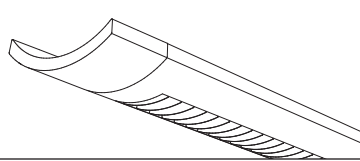
Please indicate with check mark.

<input type="checkbox"/> Lamps Included	<input type="checkbox"/> Lamps Included and Installed
<input type="checkbox"/> Flat Endcap See details on reverse	<input type="checkbox"/> Dust Cover Only available with upper optics option N 
<input type="checkbox"/> Response Daylight (Integrated Controls) For details visit www.ledalite.com/response	



Sona™

Suspended
Direct/Indirect
3 T5



Photometry Optics PJ Semi-Specular Louver w/ 100% Down Kit

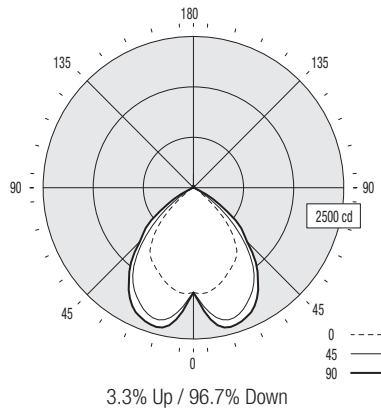
Report Summary

Report # 9900887 **Peak Candela Value*** N/A
Filename 7706F03PJ.ies **Peak to Zenith Ratio*** N/A : 1
Efficiency 48.2% * Between 90-180° vertical angle

Meets RP-1-04 recommendations for VDT-Normal spaces

Candela Distribution

Vertical Angle	Horizontal Angle					Zonal Lumens
	0	22.5	45	67.5	90	
0	1734	1734	1734	1734	1734	
5	1756	1844	1969	2026	2049	194
15	1653	1982	2261	2405	2383	610
25	1474	1920	2106	2270	2271	938
35	1259	1657	1759	1881	1869	1062
45	726	986	1105	1245	1260	829
55	148	237	369	630	683	384
65	39	46	51	106	100	82
75	10	11	9	8	6	12
85	2	2	1	1	1	2
90	0	0	0	0	0	
95	3	4	5	5	6	4
105	5	7	7	7	7	8
115	8	10	14	9	10	11
125	10	12	16	19	21	16
135	12	16	18	21	22	14
145	14	21	20	23	24	12
155	15	23	26	25	26	12
165	16	18	27	31	32	7
175	16	16	17	17	17	2
180	16	16	16	16	16	



Coefficients of Utilization (%)

Ceiling:	80				70				50				0
	70	50	30	10	70	50	30	10	50	30	10	0	
0 RCR	57	57	57	57	55	55	55	53	53	53	47		
1	53	52	50	49	52	50	49	48	47	46	42		
2	50	47	44	42	48	46	44	44	42	41	38		
3	46	42	39	37	45	42	39	40	38	36	34		
4	43	38	35	33	42	38	35	37	34	32	30		
5	40	35	31	29	39	34	31	33	31	28	27		
6	37	32	28	26	36	31	28	31	28	25	24		
7	35	29	26	23	34	29	25	28	25	23	22		
8	33	27	23	21	32	27	23	26	23	21	20		
9	30	25	21	19	30	24	21	24	21	19	18		
10	29	23	20	17	28	23	19	22	19	17	16		

Based on a floor reflectance of 0.2

Avg. Luminance (cd/m²)

Vertical Angle	Horizontal Angle		
	0	45	90
55	2103	5244	9707
65	752	984	1929
75	315	283	189
85	187	94	94

IES files for this and other photometric options can be downloaded online at www.ledalite.com

Additional Information

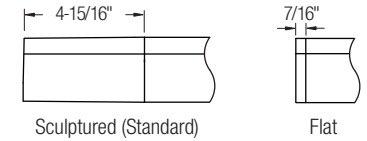
Modules

Module length excludes endcaps.
Nominal mount spacing for individually mounted modules.

Module	Mount Spacing
4ft	4' 0"
8ft	8' 0"
12ft*	12' 0"

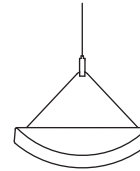
*12ft not available with Direct/Indirect

Endcap

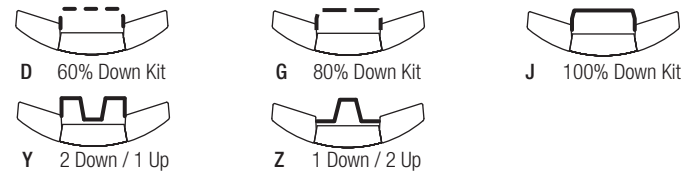


Sling Mount Detail

Fixture uses 1/16" steel sling-mounted aircraft cable for horizontal leveling.



Upper Optics



Specifications

Due to continuing product improvements, Ledalite reserves the right to change specifications without notice.

Housing

Die-formed 20 gauge cold-rolled steel.

Weight

3.4 lb/ft.

Optical System

Direct/Indirect: Constructed of 96% reflective white steel and specular aluminum to produce a direct/indirect distribution. Semi-specular louvers are aluminum and spaced 1-7/16" apart. White baffles are spaced 1-5/16" apart. Standard distribution is 70% up and 30% down. Optional field-installable Variable Optics kits provide additional downlight as required.

Semi-Indirect: Constructed of 96% reflective white steel with perforated housing and acrylic overlay to produce a semi-indirect distribution. Perforated housing available in round or slot perforation patterns.

High performance options use additional highly-specular aluminum reflectors.

Endcaps

Available with either die-cast sculptured endcaps (standard) or flat die-cast endcaps (option).

Joints

Self-aligning joining system with hands-free pre-joining wire access.

Mounting

Fixture uses 1/16" steel sling-mounted aircraft cable for horizontal leveling. Aircraft cable gripper provides continuous vertical adjustment capability. Aircraft cable, crimp and cable gripper are independently tested to meet stringent safety requirements.

Electrical

Factory pre-wired to section ends with quick-wire connectors.

Ballast

Electronic.

Approvals

Certified to UL and CSA standards.

Finish

High-quality powder coat. Available in Ledalite Standard White (textured matte finish), and a selection of other factory and customer-specified colors. Consult factory for details.