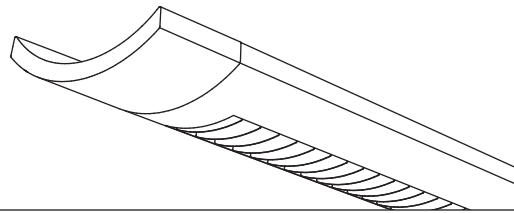


Sona™



Suspended
Direct/Indirect
3 T5



Project Name

Spec Type

Notes


Order Guide

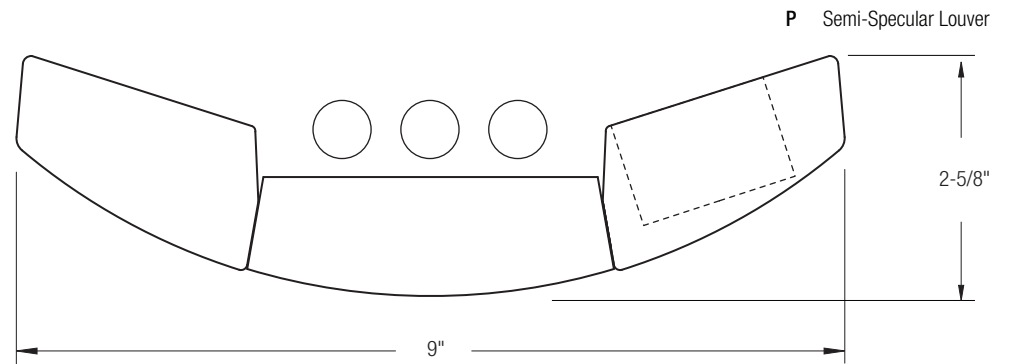
Some combinations of product options may not be available. Consult factory for assistance with your specification.

7706	F03	<input type="text"/>	<input type="text"/>	-	<input type="text"/>	-	<input type="text"/>	-	<input type="text"/>	-	<input type="text"/>
Product Series & Type Sona Direct/Indirect	Lamping 3 T5	Lower Optics P Semi-Specular Louver W White Louver	Upper Optics N None D 60% Down Kit G 80% Down Kit J 100% Down Kit Y 2 Down / 1 Up Kit Z 1 Down / 2 Up Kit	Run Length <i>Enter the total run length in feet (4ft increments)</i>	Wiring 1 1 cct 2 2 cct 3 1 cct w/ Emergency cct 4 2 cct w/ Emergency cct 5 1 cct w/ Battery Pack 6 2 cct w/ Battery Pack 7 1 cct Dimming	Voltage 1 120V 2 277V 3 347V	Ballast E Standard Ballast Consult website for ballast manufacturer information	Color & Finish W Standard White C Factory Color X Custom Color Consult website for color and finish options			
Mounting Hardware											
<input type="text"/>					<input type="text"/>						
Mount Type Consult separate mounting spec sheet for mount type options					Suspension Length <i>Enter distance from ceiling to top of fixture in inches</i>						

Upgrades & Accessories

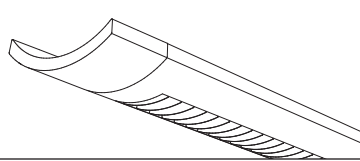
Please indicate with check mark.

<input type="checkbox"/> Lamps Included	<input type="checkbox"/> Lamps Included and Installed
<input type="checkbox"/> Flat Endcap See details on reverse	<input type="checkbox"/> Dust Cover Only available with upper optics option N 
<input type="checkbox"/> Response Daylight (Integrated Controls) For details visit www.ledalite.com/response	



Sona™

Suspended
Direct/Indirect
3 T5



Photometry Optics PG Semi-Specular Louver w/ 80% Down Kit

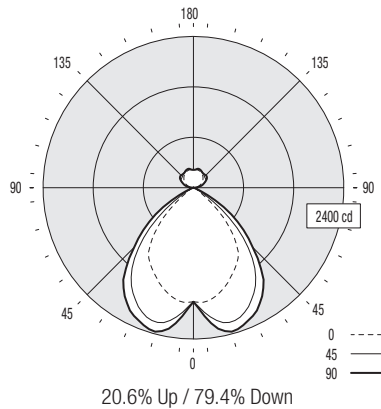
Report Summary

Report # 9900886 **Peak Candela Value*** 311 @ 165°
Filename 7706F03PG.ies **Peak to Zenith Ratio*** 1.1 : 1
Efficiency 60.8% * Between 90-180° vertical angle

Meets RP-1-04 recommendations for VDT-Normal spaces

Candela Distribution

Vertical Angle	Horizontal Angle					Zonal Lumens
	0	22.5	45	67.5	90	
0	1810	1810	1810	1810	1810	
5	1824	1888	1983	2019	2046	195
15	1700	1956	2213	2362	2365	603
25	1491	1876	2083	2234	2245	925
35	1251	1623	1733	1902	1944	1059
45	703	963	1125	1291	1338	842
55	143	243	388	650	738	396
65	38	46	51	124	141	89
75	11	11	9	8	6	12
85	2	2	1	1	0	2
90	0	0	0	0	0	0
95	20	35	53	50	36	46
105	76	114	135	142	137	130
115	132	157	204	204	197	181
125	178	188	238	261	263	203
135	216	228	250	275	279	194
145	251	266	273	277	274	169
155	277	286	298	298	295	134
165	289	291	302	312	311	85
175	288	287	287	288	287	27
180	284	284	284	284	284	



Coefficients of Utilization (%)

Ceiling:	80					70					50					0				
	70	50	30	10		70	50	30	10		50	30	10		0	0	0	0		
0 RCR	69	69	69	69	69	66	66	66	66	60	60	60	60	47						
1	64	62	60	59	61	60	58	55	53	52	42									
2	60	56	53	50	57	54	51	50	47	45	38									
3	55	50	47	43	53	48	45	45	42	40	34									
4	51	45	41	38	49	44	40	41	38	35	30									
5	48	41	37	33	46	40	36	37	34	31	27									
6	44	37	33	30	42	36	32	34	30	28	24									
7	41	34	30	26	39	33	29	31	27	25	22									
8	38	31	27	24	37	30	26	28	25	22	19									
9	36	29	24	21	34	28	24	26	23	20	18									
10	34	27	22	19	32	26	22	24	21	18	16									

Based on a floor reflectance of 0.2

Avg. Luminance (cd/m²)

Vertical Angle	Horizontal Angle		
	0	45	90
55	2032	5514	10488
65	733	984	2720
75	346	283	189
85	187	94	0

IES files for this and other photometric options can be downloaded online at www.ledalite.com

Additional Information

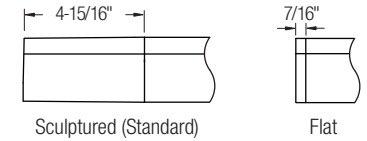
Modules

Module length excludes endcaps.
Nominal mount spacing for individually mounted modules.

Module	Mount Spacing
4ft	4' 0"
8ft	8' 0"
12ft*	12' 0"

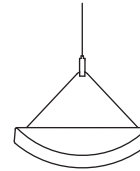
*12ft not available with Direct/Indirect

Endcap

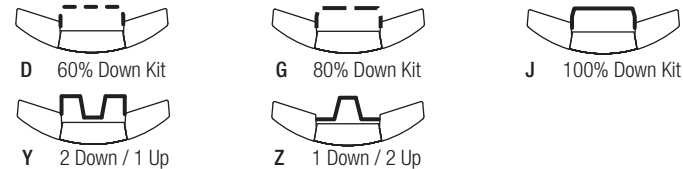


Sling Mount Detail

Fixture uses 1/16" steel sling-mounted aircraft cable for horizontal leveling.



Upper Optics



Specifications

Due to continuing product improvements, Ledalite reserves the right to change specifications without notice.

Housing

Die-formed 20 gauge cold-rolled steel.

Weight

3.4 lb/ft.

Optical System

Direct/Indirect: Constructed of 96% reflective white steel and specular aluminum to produce a direct/indirect distribution. Semi-specular louvers are aluminum and spaced 1-7/16" apart. White baffles are spaced 1-5/16" apart. Standard distribution is 70% up and 30% down. Optional field-installable Variable Optics kits provide additional downlight as required.

Semi-Indirect: Constructed of 96% reflective white steel with perforated housing and acrylic overlay to produce a semi-indirect distribution. Perforated housing available in round or slot perforation patterns.

High performance options use additional highly-specular aluminum reflectors.

Endcaps

Available with either die-cast sculptured endcaps (standard) or flat die-cast endcaps (option).

Joints

Self-aligning joining system with hands-free pre-joining wire access.

Mounting

Fixture uses 1/16" steel sling-mounted aircraft cable for horizontal leveling. Aircraft cable gripper provides continuous vertical adjustment capability. Aircraft cable, crimp and cable gripper are independently tested to meet stringent safety requirements.

Electrical

Factory pre-wired to section ends with quick-wire connectors.

Ballast

Electronic.

Approvals

Certified to UL and CSA standards.

Finish

High-quality powder coat. Available in Ledalite Standard White (textured matte finish), and a selection of other factory and customer-specified colors. Consult factory for details.