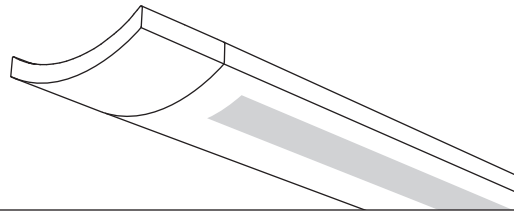


Sona™



Suspended
Semi-Indirect
3 T5



Project Name

Spec Type

Notes


Order Guide

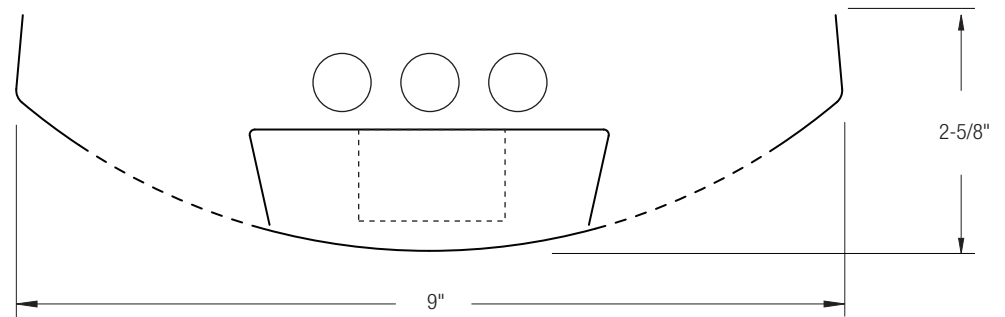
Some combinations of product options may not be available. Consult factory for assistance with your specification.

| | | | | | | | | | | |
|---|-----------------|---|------------------------|--|---|---|---|---|----------------------|----------------------|
| 7705 | F03 | <input type="text"/> | <input type="text"/> | - | <input type="text"/> | - | <input type="text"/> | - | <input type="text"/> | <input type="text"/> |
| Product Series & Type Sona Semi-Indirect | Lamping 3 T5 | Lower Optics L Round Perf Housing I Slot Perf Housing | Upper Optics N None | Run Length <i>Enter the total run length in feet (4ft increments)</i> | Wiring 1 1 cct 2 2 cct 3 1 cct w/ Emergency cct 4 2 cct w/ Emergency cct 5 1 cct w/ Battery Pack 6 2 cct w/ Battery Pack 7 1 cct Dimming | Voltage 1 120V 2 277V 3 347V | Ballast E Standard Ballast Consult website for ballast manufacturer information | Color & Finish W Standard White C Factory Color X Custom Color Consult website for color and finish options | | |
| | | See details on reverse | See details on reverse | See details on reverse | Consult website for complete list of standard wiring options | | | | | |
| Mounting Hardware | | | | | | | | | | |
| | | | | | | | | | | |
| | | | | Mount Type | | Suspension Length | | | | |
| | | | | Consult separate mounting spec sheet for mount type options | | Enter distance from ceiling to top of fixture in inches | | | | |

Upgrades & Accessories

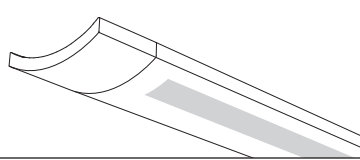
Please indicate with check mark.

| | |
|--|---|
| <input type="checkbox"/> Lamps Included | <input type="checkbox"/> Lamps Included and Installed |
| <input type="checkbox"/> Flat Endcap See details on reverse | <input type="checkbox"/> Dust Cover Only available with upper optics option N  |
| <input type="checkbox"/> Response Daylight (Integrated Controls) For details visit www.ledalite.com/response | |



Sona™

Suspended
Semi-Indirect
3 T5



Photometry Optics LN Round Perf Housing

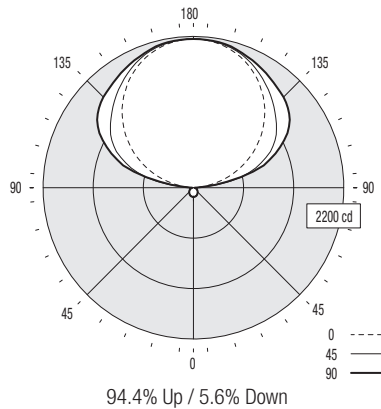
Report Summary

Report # 9900891 **Peak Candela Value*** 2163 @ 178°
Filename 7705F03LN.ies **Peak to Zenith Ratio*** 1 : 1
Efficiency 91.9% * Between 90-180° vertical angle

Meets RP-1-04 recommendations for VDT-Intensive spaces

Candela Distribution

| Vertical Angle | Horizontal Angle | | | | | Zonal Lumens |
|----------------|------------------|------|------|------|------|--------------|
| | 0 | 22.5 | 45 | 67.5 | 90 | |
| 0 | 132 | 132 | 132 | 132 | 132 | |
| 5 | 132 | 131 | 132 | 132 | 132 | 13 |
| 15 | 127 | 127 | 128 | 128 | 128 | 36 |
| 25 | 118 | 117 | 118 | 117 | 118 | 55 |
| 35 | 104 | 102 | 103 | 102 | 103 | 64 |
| 45 | 87 | 85 | 85 | 85 | 87 | 67 |
| 55 | 68 | 66 | 68 | 69 | 71 | 61 |
| 65 | 48 | 47 | 50 | 52 | 54 | 50 |
| 75 | 28 | 29 | 33 | 34 | 35 | 35 |
| 85 | 11 | 13 | 17 | 18 | 19 | 18 |
| 90 | 5 | 9 | 15 | 19 | 19 | |
| 95 | 100 | 184 | 185 | 131 | 139 | 205 |
| 105 | 450 | 632 | 839 | 867 | 903 | 784 |
| 115 | 818 | 955 | 1244 | 1357 | 1400 | 1148 |
| 125 | 1161 | 1232 | 1483 | 1662 | 1721 | 1300 |
| 135 | 1472 | 1512 | 1666 | 1810 | 1864 | 1286 |
| 145 | 1730 | 1761 | 1839 | 1923 | 1950 | 1154 |
| 155 | 1943 | 1954 | 1999 | 2027 | 2045 | 920 |
| 165 | 2082 | 2084 | 2109 | 2122 | 2127 | 595 |
| 175 | 2154 | 2154 | 2157 | 2158 | 2158 | 209 |
| 180 | 2163 | 2163 | 2163 | 2163 | 2163 | |



Coefficients of Utilization (%)

| Ceiling: | 80 | | | | 70 | | | | 50 | | | | 0 |
|----------|----|----|----|----|----|----|----|----|----|----|----|---|---|
| | 70 | 50 | 30 | 10 | 70 | 50 | 30 | 10 | 50 | 30 | 10 | 0 | |
| 0 RCR | 88 | 88 | 88 | 88 | 76 | 76 | 76 | 53 | 53 | 53 | 4 | 4 | |
| 1 | 80 | 76 | 73 | 70 | 69 | 66 | 63 | 46 | 44 | 43 | 3 | 3 | |
| 2 | 73 | 66 | 61 | 57 | 62 | 57 | 53 | 40 | 38 | 35 | 3 | 3 | |
| 3 | 66 | 58 | 52 | 47 | 57 | 50 | 45 | 35 | 32 | 29 | 2 | 2 | |
| 4 | 60 | 51 | 45 | 39 | 52 | 44 | 39 | 31 | 28 | 25 | 2 | 2 | |
| 5 | 55 | 45 | 38 | 33 | 47 | 39 | 33 | 28 | 24 | 21 | 1 | 1 | |
| 6 | 50 | 40 | 33 | 28 | 43 | 35 | 29 | 25 | 21 | 18 | 1 | 1 | |
| 7 | 46 | 36 | 29 | 25 | 40 | 31 | 26 | 22 | 18 | 16 | 1 | 1 | |
| 8 | 43 | 32 | 26 | 21 | 37 | 28 | 23 | 20 | 16 | 13 | 1 | 1 | |
| 9 | 40 | 29 | 23 | 19 | 34 | 25 | 20 | 18 | 14 | 12 | 1 | 1 | |
| 10 | 37 | 27 | 20 | 16 | 32 | 23 | 18 | 16 | 13 | 10 | 1 | 1 | |

Based on a floor reflectance of 0.2

Avg. Luminance (cd/m²)

| Vertical Angle | Horizontal Angle | | |
|----------------|------------------|-----|-----|
| | 0 | 45 | 90 |
| 55 | 437 | 393 | 394 |
| 65 | 419 | 374 | 381 |
| 75 | 399 | 364 | 354 |
| 85 | 465 | 381 | 357 |

IES files for this and other photometric options can be downloaded online at www.ledalite.com

Additional Information

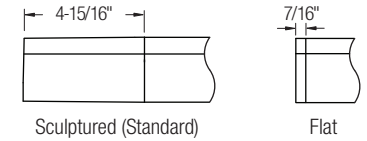
Modules

Module length excludes endcaps.
Nominal mount spacing for individually mounted modules.

| Module | Mount Spacing |
|--------|---------------|
| 4ft | 4' 0" |
| 8ft | 8' 0" |
| 12ft* | 12' 0" |

*12ft not available with Direct/Indirect

Endcap

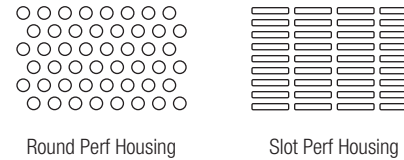


Sling Mount Detail

Fixture uses 1/16" steel sling-mounted aircraft cable for horizontal leveling.



Lower Optics



Specifications

Due to continuing product improvements, Ledalite reserves the right to change specifications without notice.

Housing

Die-formed 20 gauge cold-rolled steel.

Weight

3.4 lb/ft.

Optical System

Direct/Indirect: Constructed of 96% reflective white steel and specular aluminum to produce a direct/indirect distribution. Semi-specular louvers are aluminum and spaced 1-7/16" apart. White baffles are spaced 1-5/16" apart. Standard distribution is 70% up and 30% down. Optional field-installable Variable Optics kits provide additional downlight as required.

Semi-Indirect: Constructed of 96% reflective white steel with perforated housing and acrylic overlay to produce a semi-indirect distribution. Perforated housing available in round or slot perforation patterns.

High performance options use additional highly-specular aluminum reflectors.

Endcaps

Available with either die-cast sculptured endcaps (standard) or flat die-cast endcaps (option).

Joints

Self-aligning joining system with hands-free pre-joining wire access.

Mounting

Fixture uses 1/16" steel sling-mounted aircraft cable for horizontal leveling. Aircraft cable gripper provides continuous vertical adjustment capability. Aircraft cable, crimp and cable gripper are independently tested to meet stringent safety requirements.

Electrical

Factory pre-wired to section ends with quick-wire connectors.

Ballast

Electronic.

Approvals

Certified to UL and CSA standards.

Finish

High-quality powder coat. Available in Ledalite Standard White (textured matte finish), and a selection of other factory and customer-specified colors. Consult factory for details.