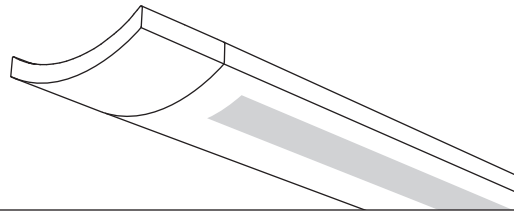


Sona™



Suspended
Semi-Indirect
3 T5



Project Name

Spec Type

Notes


Order Guide

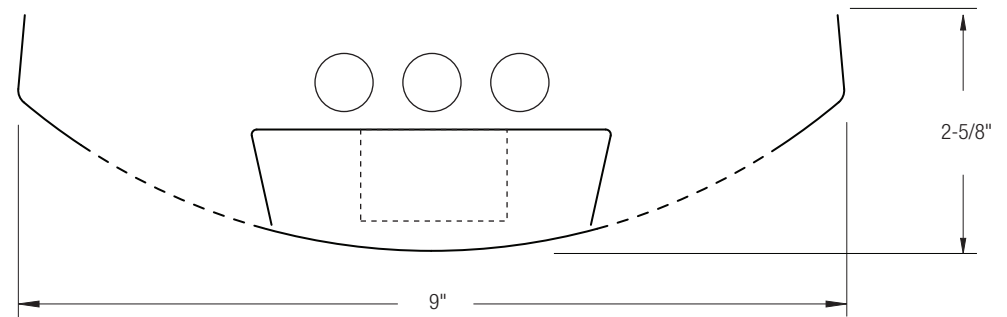
Some combinations of product options may not be available. Consult factory for assistance with your specification.

7705	F03	<input type="text"/>	<input type="text"/>	-	<input type="text"/>	-	<input type="text"/>	-	<input type="text"/>	-	<input type="text"/>
Product Series & Type Sona Semi-Indirect	Lamping 3 T5	Lower Optics L Round Perf Housing I Slot Perf Housing	Upper Optics N None	Run Length <i>Enter the total run length in feet (4ft increments)</i>	Wiring 1 1 cct 2 2 cct 3 1 cct w/ Emergency cct 4 2 cct w/ Emergency cct 5 1 cct w/ Battery Pack 6 2 cct w/ Battery Pack 7 1 cct Dimming	Voltage 1 120V 2 277V 3 347V	Ballast E Standard Ballast Consult website for ballast manufacturer information	Color & Finish W Standard White C Factory Color X Custom Color Consult website for color and finish options	Mounting Hardware <input type="text"/> <input type="text"/> Mount Type <input type="text"/> Suspension Length <input type="text"/> <i>Enter distance from ceiling to top of fixture in inches</i> Consult separate mounting spec sheet for mount type options		
		See details on reverse	See details on reverse	See details on reverse	Consult website for complete list of standard wiring options						

Upgrades & Accessories

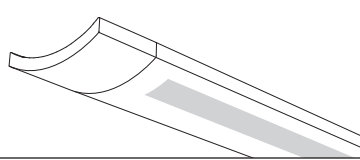
Please indicate with check mark.

<input type="checkbox"/> Lamps Included	<input type="checkbox"/> Lamps Included and Installed
<input type="checkbox"/> Flat Endcap See details on reverse	<input type="checkbox"/> Dust Cover Only available with upper optics option N 
<input type="checkbox"/> Response Daylight (Integrated Controls) For details visit www.ledalite.com/response	



Sona™

Suspended
Semi-Indirect
3 T5



Photometry Optics IN Slot Perf Housing

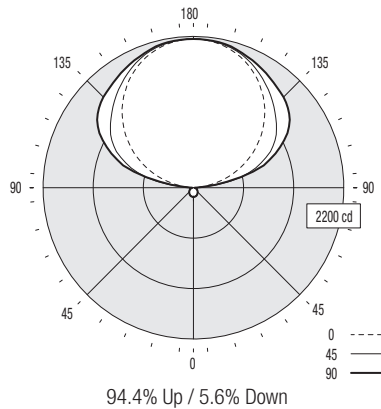
Report Summary

Report # 9900891 **Peak Candela Value*** 2163 @ 178°
Filename 7705F03IN.ies **Peak to Zenith Ratio*** 1 : 1
Efficiency 91.9% * Between 90-180° vertical angle

Meets RP-1-04 recommendations for VDT-Intensive spaces

Candela Distribution

Vertical Angle	Horizontal Angle					Zonal Lumens
	0	22.5	45	67.5	90	
0	132	132	132	132	132	
5	132	131	132	132	132	13
15	127	127	128	128	128	36
25	118	117	118	117	118	55
35	104	102	103	102	103	64
45	87	85	85	85	87	67
55	68	66	68	69	71	61
65	48	47	50	52	54	50
75	28	29	33	34	35	35
85	11	13	17	18	19	18
90	5	9	15	19	19	
95	100	184	185	131	139	205
105	450	632	839	867	903	784
115	818	955	1244	1357	1400	1148
125	1161	1232	1483	1662	1721	1300
135	1472	1512	1666	1810	1864	1286
145	1730	1761	1839	1923	1950	1154
155	1943	1954	1999	2027	2045	920
165	2082	2084	2109	2122	2127	595
175	2154	2154	2157	2158	2158	209
180	2163	2163	2163	2163	2163	



Coefficients of Utilization (%)

Ceiling:	80				70				50				0
	70	50	30	10	70	50	30	10	50	30	10	0	
0 RCR	88	88	88	88	76	76	76	53	53	53	4		
1	80	76	73	70	69	66	63	46	44	43	3		
2	73	66	61	57	62	57	53	40	38	35	3		
3	66	58	52	47	57	50	45	35	32	29	2		
4	60	51	45	39	52	44	39	31	28	25	2		
5	55	45	38	33	47	39	33	28	24	21	1		
6	50	40	33	28	43	35	29	25	21	18	1		
7	46	36	29	25	40	31	26	22	18	16	1		
8	43	32	26	21	37	28	23	20	16	13	1		
9	40	29	23	19	34	25	20	18	14	12	1		
10	37	27	20	16	32	23	18	16	13	10	1		

Based on a floor reflectance of 0.2

Avg. Luminance (cd/m²)

Vertical Angle	Horizontal Angle		
	0	45	90
55	437	393	394
65	419	374	381
75	399	364	354
85	465	381	357

IES files for this and other photometric options can be downloaded online at www.ledalite.com

Additional Information

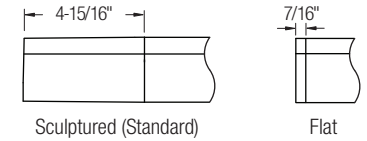
Modules

Module length excludes endcaps.
Nominal mount spacing for individually mounted modules.

Module	Mount Spacing
4ft	4' 0"
8ft	8' 0"
12ft*	12' 0"

*12ft not available with Direct/Indirect

Endcap

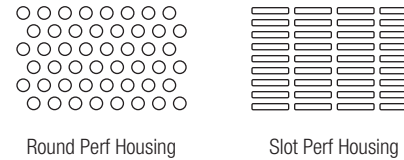


Sling Mount Detail

Fixture uses 1/16" steel sling-mounted aircraft cable for horizontal leveling.



Lower Optics



Specifications

Due to continuing product improvements, Ledalite reserves the right to change specifications without notice.

Housing

Die-formed 20 gauge cold-rolled steel.

Weight

3.4 lb/ft.

Optical System

Direct/Indirect: Constructed of 96% reflective white steel and specular aluminum to produce a direct/indirect distribution. Semi-specular louvers are aluminum and spaced 1-7/16" apart. White baffles are spaced 1-5/16" apart. Standard distribution is 70% up and 30% down. Optional field-installable Variable Optics kits provide additional downlight as required.

Semi-Indirect: Constructed of 96% reflective white steel with perforated housing and acrylic overlay to produce a semi-indirect distribution. Perforated housing available in round or slot perforation patterns.

High performance options use additional highly-specular aluminum reflectors.

Endcaps

Available with either die-cast sculptured endcaps (standard) or flat die-cast endcaps (option).

Joints

Self-aligning joining system with hands-free pre-joining wire access.

Mounting

Fixture uses 1/16" steel sling-mounted aircraft cable for horizontal leveling. Aircraft cable gripper provides continuous vertical adjustment capability. Aircraft cable, crimp and cable gripper are independently tested to meet stringent safety requirements.

Electrical

Factory pre-wired to section ends with quick-wire connectors.

Ballast

Electronic.

Approvals

Certified to UL and CSA standards.

Finish

High-quality powder coat. Available in Ledalite Standard White (textured matte finish), and a selection of other factory and customer-specified colors. Consult factory for details.