

# Sona™



Suspended  
Direct/Indirect  
3 T5HO



Project Name

Spec Type

Notes

## Order Guide

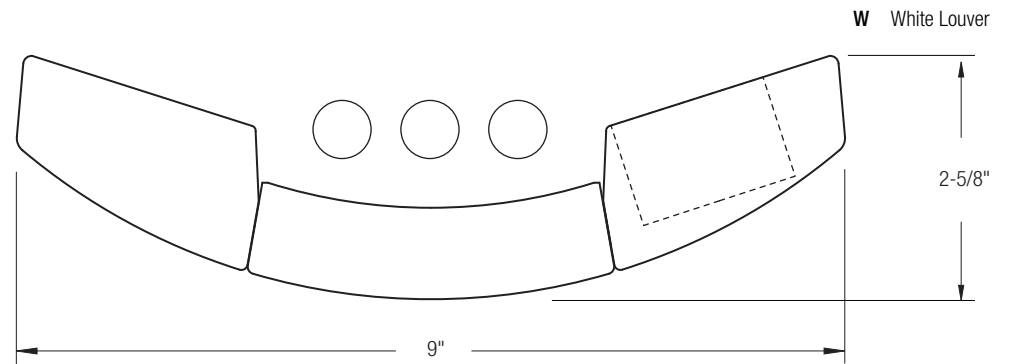
Some combinations of product options may not be available. Consult factory for assistance with your specification.

<b>7706</b>	<b>H03</b>			-		-		-	
<b>Product Series &amp; Type</b> Sona Direct/Indirect	<b>Lamping</b> 3 T5HO	<b>Lower Optics</b> <b>P</b> Semi-Specular Louver <b>W</b> White Louver	<b>Upper Optics</b> <b>N</b> None <b>D</b> 60% Down Kit <b>G</b> 80% Down Kit <b>J</b> 100% Down Kit <b>Y</b> 2 Down / 1 Up Kit <b>Z</b> 1 Down / 2 Up Kit	<b>Run Length</b> <i>Enter the total run length in feet (4ft increments)</i>	<b>Wiring</b> <b>1</b> 1 cct <b>2</b> 2 cct <b>3</b> 1 cct w/ Emergency cct <b>4</b> 2 cct w/ Emergency cct <b>5</b> 1 cct w/ Battery Pack <b>6</b> 2 cct w/ Battery Pack <b>7</b> 1 cct Dimming	<b>Voltage</b> <b>1</b> 120V <b>2</b> 277V <b>3</b> 347V	<b>Ballast</b> <b>E</b> Standard Ballast  Consult website for ballast manufacturer information	<b>Color &amp; Finish</b> <b>W</b> Standard White <b>C</b> Factory Color <b>X</b> Custom Color  Consult website for color and finish options	
<b>Mounting Hardware</b>									
<b>Mount Type</b> <input type="text"/>				<b>Suspension Length</b> <i>Enter distance from ceiling to top of fixture in inches</i> <input type="text"/>					
See details on reverse				Consult separate mounting spec sheet for mount type options					

## Upgrades & Accessories

Please indicate with check mark.

<input type="checkbox"/> Lamps Included	<input checked="" type="checkbox"/> Lamps Included and Installed
<input type="checkbox"/> Flat Endcap See details on reverse	
<input type="checkbox"/> Response Daylight (Integrated Controls) For details visit <a href="http://www.ledalite.com/response">www.ledalite.com/response</a>	



# Sona™

Suspended  
Direct/Indirect  
3 T5HO



## Photometry Optics WJ White Louver w/ 100% Down Kit

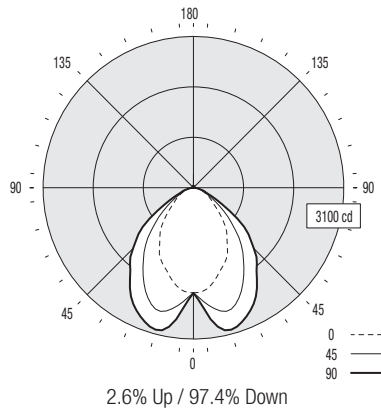
### Report Summary

Report # 9900911  
Filename 7706H03WJ.ies  
Efficiency 39.1%

Peak Candela Value\* N/A  
Peak to Zenith Ratio\* N/A : 1  
\* Between 90-180° vertical angle

### Candela Distribution

Vertical Angle	Horizontal Angle					Zonal Lumens
	0	22.5	45	67.5	90	
0	2157	2157	2157	2157	2157	
5	2133	2200	2338	2365	2486	229
15	1883	2192	2624	2941	3013	714
25	1605	2023	2338	2705	2777	1059
35	1205	1616	1797	2201	2281	1144
45	783	1010	1218	1616	1761	983
55	457	508	662	1003	1106	661
65	273	298	305	408	420	345
75	145	148	138	166	178	165
85	30	35	30	38	33	41
90	0	0	0	0	0	
95	5	7	14	19	9	10
105	7	9	9	10	10	10
115	12	16	16	13	13	15
125	13	17	23	23	22	18
135	15	19	24	29	30	19
145	17	24	25	29	32	16
155	19	29	29	30	32	14
165	20	23	33	38	37	8
175	20	21	21	23	22	3
180	20	20	20	20	20	



### Coefficients of Utilization (%)

Ceiling:	80				70				50				0				
	70	50	30	10	70	50	30	10	50	30	10	0	70	50	30	10	0
0 RCR	46	46	46	46	45	45	45	43	43	43	38						
1	43	41	40	39	42	40	39	38	37	37	33						
2	39	37	34	33	38	36	34	34	33	31	29						
3	36	33	30	28	35	32	30	31	29	27	25						
4	34	30	26	24	33	29	26	28	25	24	22						
5	31	27	24	21	30	26	23	25	23	21	19						
6	29	24	21	19	28	24	21	23	20	18	17						
7	27	22	19	17	26	22	19	21	18	17	15						
8	25	20	17	15	24	20	17	19	17	15	14						
9	23	19	16	14	23	18	16	18	15	13	13						
10	22	17	14	12	22	17	14	17	14	12	11						

Based on a floor reflectance of 0.2

### Avg. Luminance (cd/m²)

Vertical Angle	Horizontal Angle		
	0	45	90
55	6495	9408	15718
65	5266	5883	8101
75	4567	4346	5606
85	2806	2806	3086

IES files for this and other photometric options can be downloaded online at [www.ledalite.com](http://www.ledalite.com)

## Additional Information

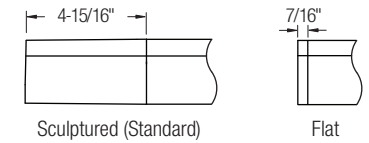
### Modules

Module length excludes endcaps.  
Nominal mount spacing for individually mounted modules.

Module	Mount Spacing
4ft	4' 0"
8ft	8' 0"
12ft*	12' 0"

\*12ft not available with Direct/Indirect

### Endcap

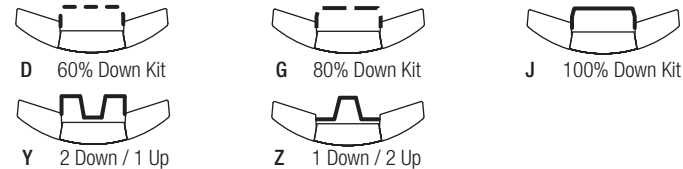


### Sling Mount Detail

Fixture uses 1/16" steel sling-mounted aircraft cable for horizontal leveling.



### Upper Optics



## Specifications

Due to continuing product improvements, Ledalite reserves the right to change specifications without notice.

### Housing

Die-formed 20 gauge cold-rolled steel.

### Weight

3.4 lb/ft.

### Optical System

Direct/Indirect: Constructed of 96% reflective white steel and specular aluminum to produce a direct/indirect distribution. Semi-specular louvers are aluminum and spaced 1-7/16" apart. White baffles are spaced 1-5/16" apart. Standard distribution is 70% up and 30% down. Optional field-installable Variable Optics kits provide additional downlight as required.

Semi-Indirect: Constructed of 96% reflective white steel with perforated housing and acrylic overlay to produce a semi-indirect distribution. Perforated housing available in round or slot perforation patterns.

High performance options use additional highly-specular aluminum reflectors.

### Endcaps

Available with either die-cast sculptured endcaps (standard) or flat die-cast endcaps (option).

### Joints

Self-aligning joining system with hands-free pre-joining wire access.

### Mounting

Fixture uses 1/16" steel sling-mounted aircraft cable for horizontal leveling. Aircraft cable gripper provides continuous vertical adjustment capability. Aircraft cable, crimp and cable gripper are independently tested to meet stringent safety requirements.

### Electrical

Factory pre-wired to section ends with quick-wire connectors.

### Ballast

Electronic.

### Approvals

Certified to UL and CSA standards.

### Finish

High-quality powder coat. Available in Ledalite Standard White (textured matte finish), and a selection of other factory and customer-specified colors. Consult factory for details.